

THIS DRAWING IS UNPUBLISHED.

RELEASED FOR PUBLICATION

LOC

DIST

REVISIONS

© COPYRIGHT - By -

ALL RIGHTS RESERVED.

J

-

P

LTR

変更

DATE

DWN

APVD

A

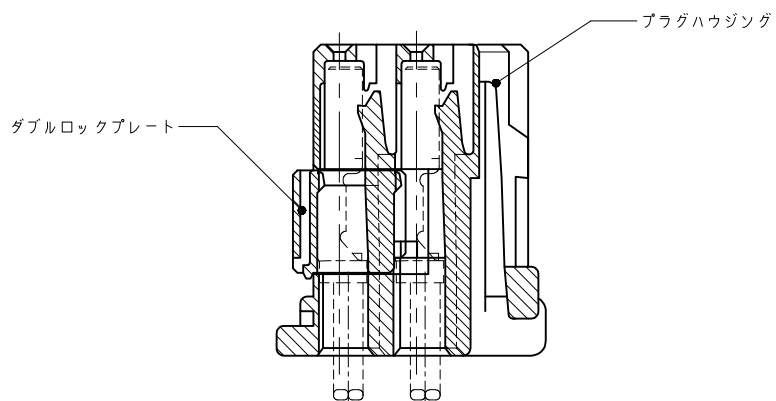
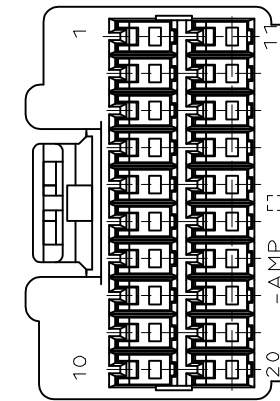
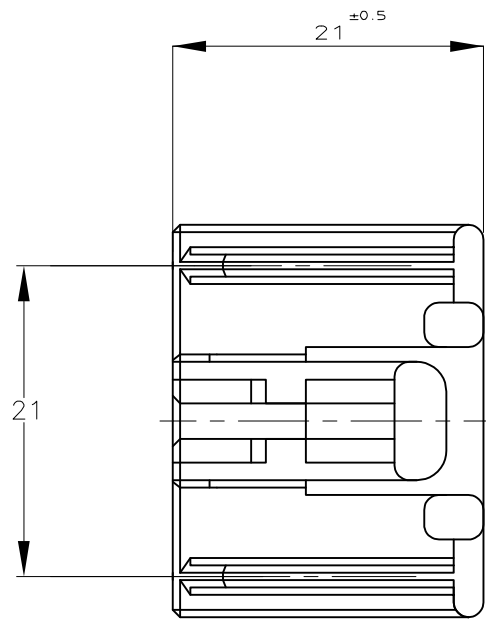
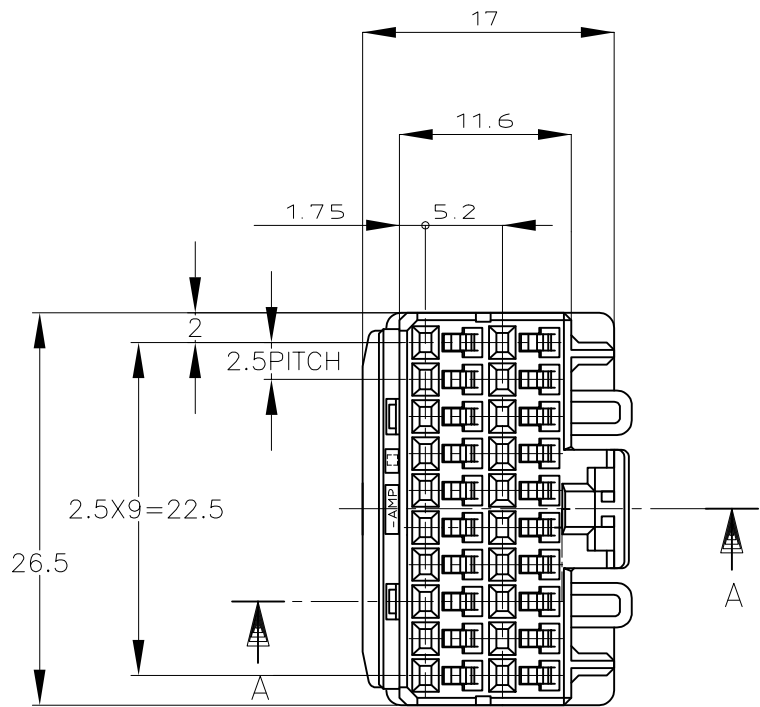
REVISED

ECR-15-000672

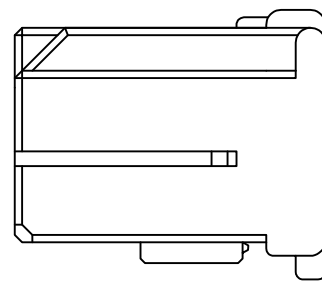
15JAN2015

TS

KB



断面 A-A (SECT. A-A)



NOTES:

- 1. THE MATING CAP HOUSING PART NUMBER;179059
- 2. APPLIED CONTACT PART NUMBER;175265
- 3. APPLICABLE PRODUCT SPEC NO.108-5452
- ⚠ PRELIMINARY NOT FOR PRODUCTION

注:

- 1. 嵌合相手ハウジング型番:179059
- 2. 内装するリセプタクルコンタクト型番:175265
- 3. 適用製品規格番号:108-5452
- ⚠ プロポーザル図面

白 (WHITE)	179057-1
灰 (GRAY)	179057-6
COLOR	P/N

TOLERANCE UNLESS OTHERWISE SPECIFIED: 一般公差	
0 < x ≤ 10	±0.2
10 < x ≤ 30	±0.25
30 < x ≤ 100	±0.3
ANGLE 角度	±3°

THIS DRAWING IS A CONTROLLED DOCUMENT.	
DIMENSIONS: 単位: 耗 mm	TOLERANCES UNLESS OTHERWISE SPECIFIED: 一般公差
0 PLC ± -	1 PLC ± -
2 PLC ± -	3 PLC ± -
4 PLC ± -	ANGLES ± -
MATERIAL 材料 PBT	FINISH 仕上

DWN A. YAMAGUCHI 20MAR02	STE TE Connectivity	
CHK K. BETSUI 22MAR02		
APVD K. BETSUI 22MAR02	NAME 名称	
PRODUCT SPEC 製品規格	040 SERIES MULTILOCK I/O CONNECTOR MK-II 20POSITION PLUG HOUSING ASSEMBLY	
APPLICATION SPEC 取付適用規格	SIZE	CAGE CODE
WEIGHT 5.0 g	A3	00779
CUSTOMER DRAWING	DRAWING NO 番号 C=179057	RESTRICTED TO
SCALE 尺度 2:1	SHEET 1 of 1	REV A

X-ON Electronics

Largest Supplier of Electrical and Electronic Components

Click to view similar products for [Automotive Connectors](#) category:

Click to view products by [TE Connectivity](#) manufacturer:

Other Similar products are found below :

[003-018-000](#) [60993906-B](#) [M902-2131](#) [M902-2161](#) [M902-2344](#) [72.330.1035.1](#) [73.353.4028.0](#) [F166900](#) [F358300-B](#) [F407400](#) [776880-1](#)
[827153-1](#) [8N1515-32-24P](#) [9-1326729-8](#) [925474-1](#) [928905-1](#) [964562-4](#) [968782-1](#) [98891-1012](#) [12004475-L](#) [12020308](#) [12041318-B](#)
[12052466](#) [12064869](#) [12015909](#) [1-21030-1](#) [12041254](#) [12041318](#) [12047946-B](#) [12110546-B](#) [12131792](#) [12084688](#) [12092346](#) [HD34-18-14PT](#)
[HD46-24-23SN-059](#) [HDB36-24-16PN-059](#) [HDP26-24-9SE-L015](#) [12185280](#) [12185550](#) [12336-12](#) [12191172-B](#) [12S](#) [13545280](#) [13577943](#)
[13681974](#) [13737722-B](#) [13830674](#) [13832576](#) [13849772](#) [13542772](#)