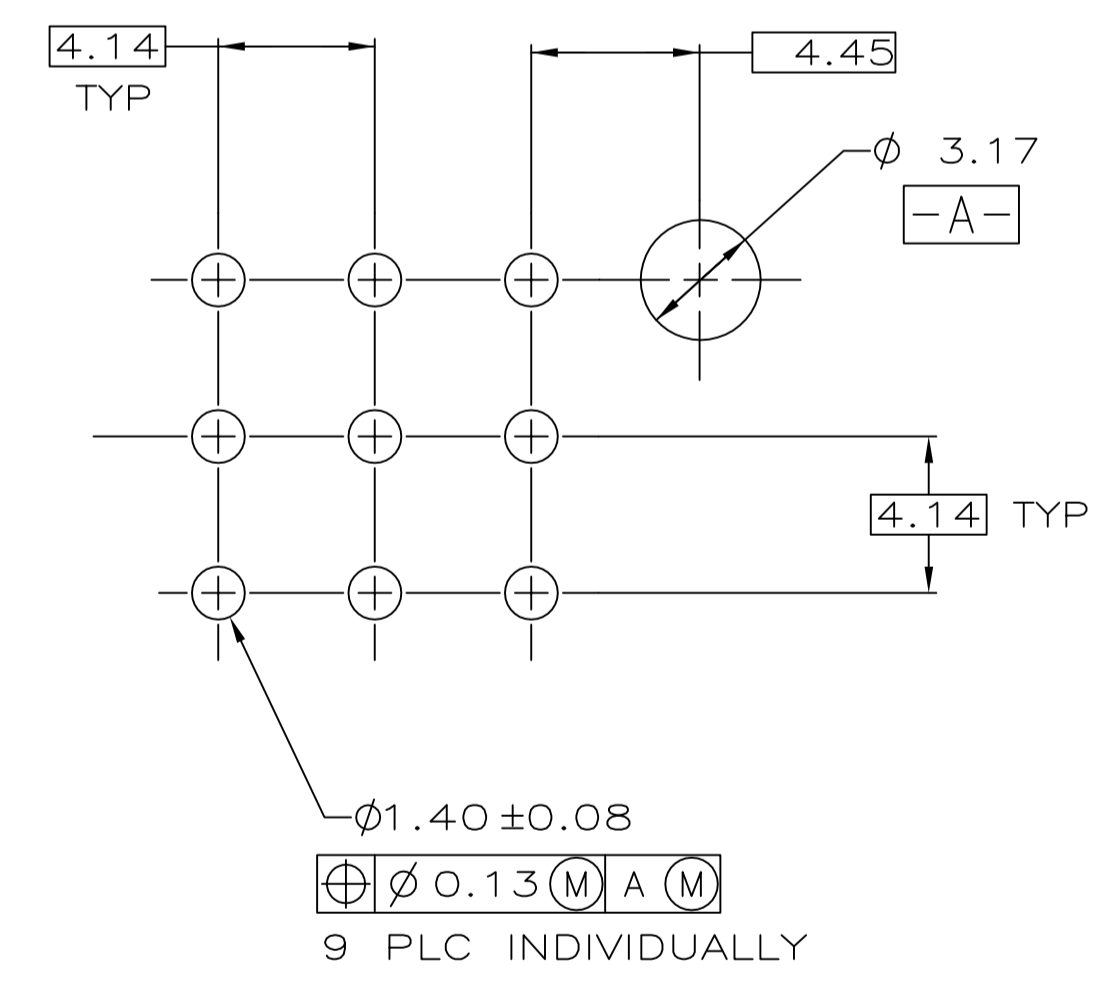
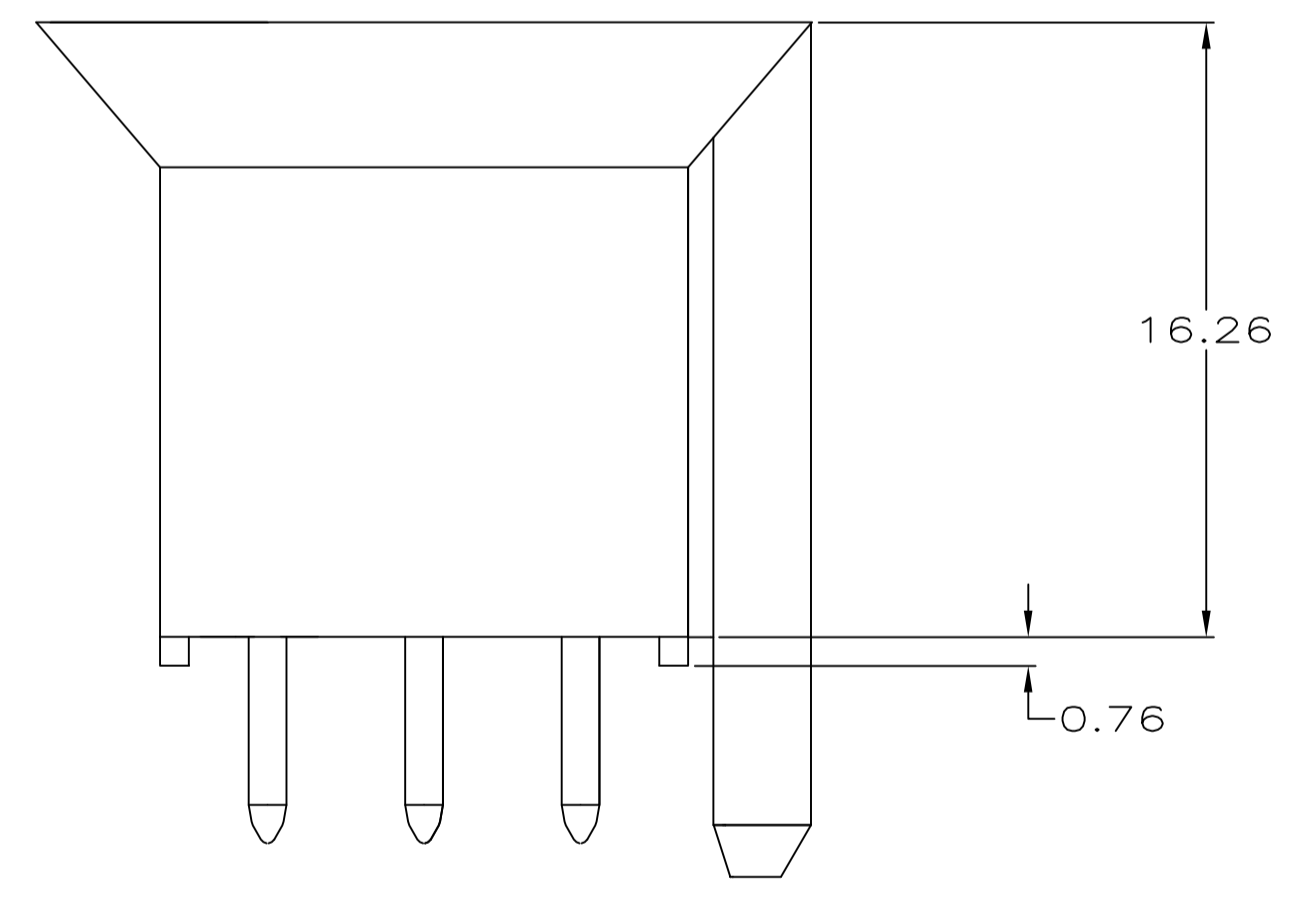
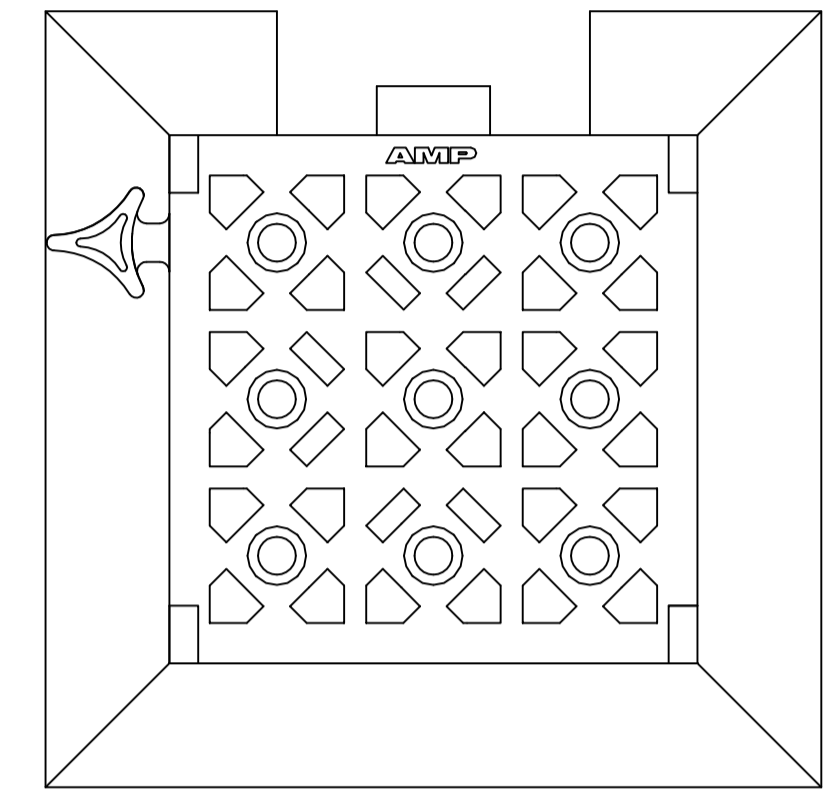
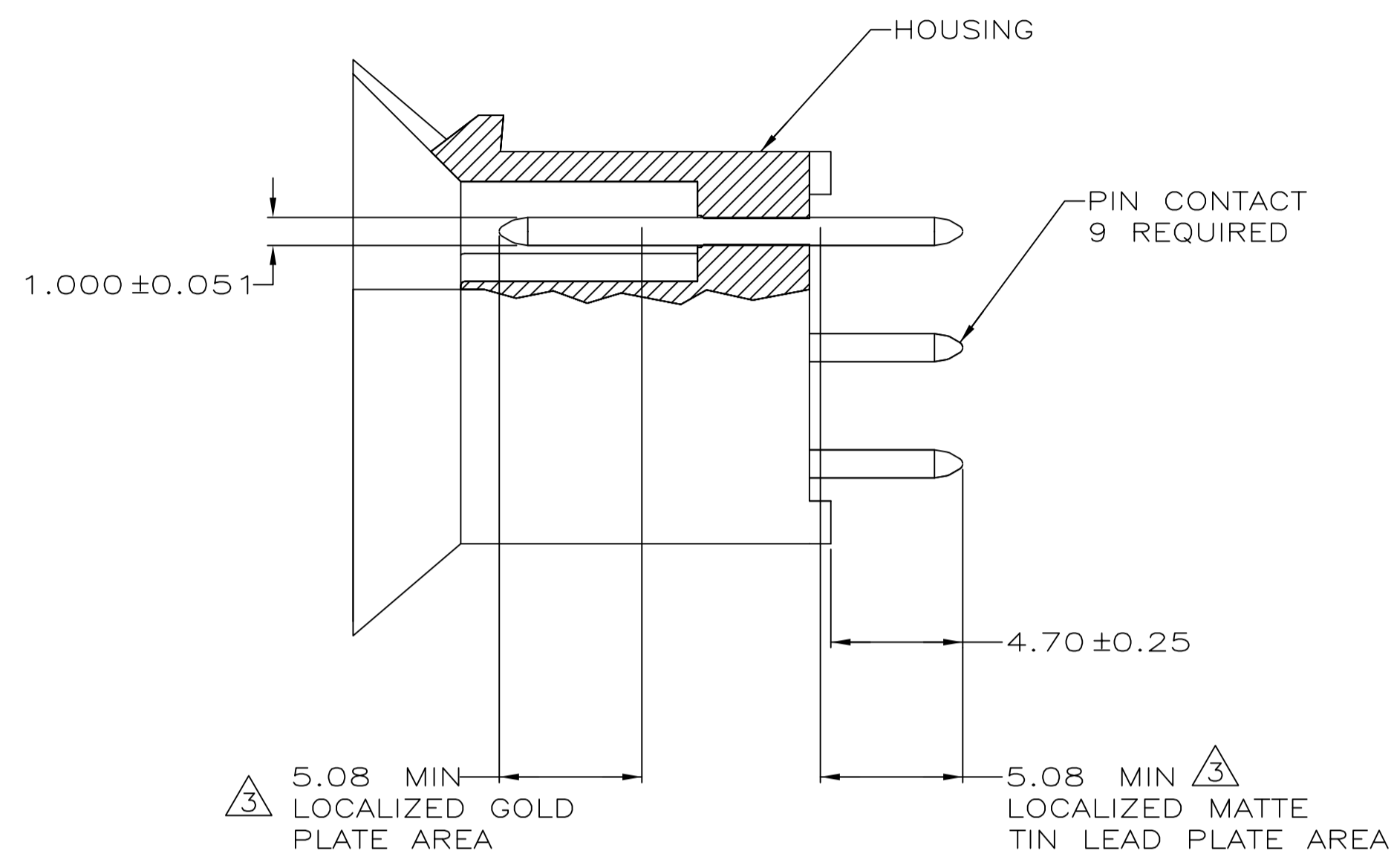
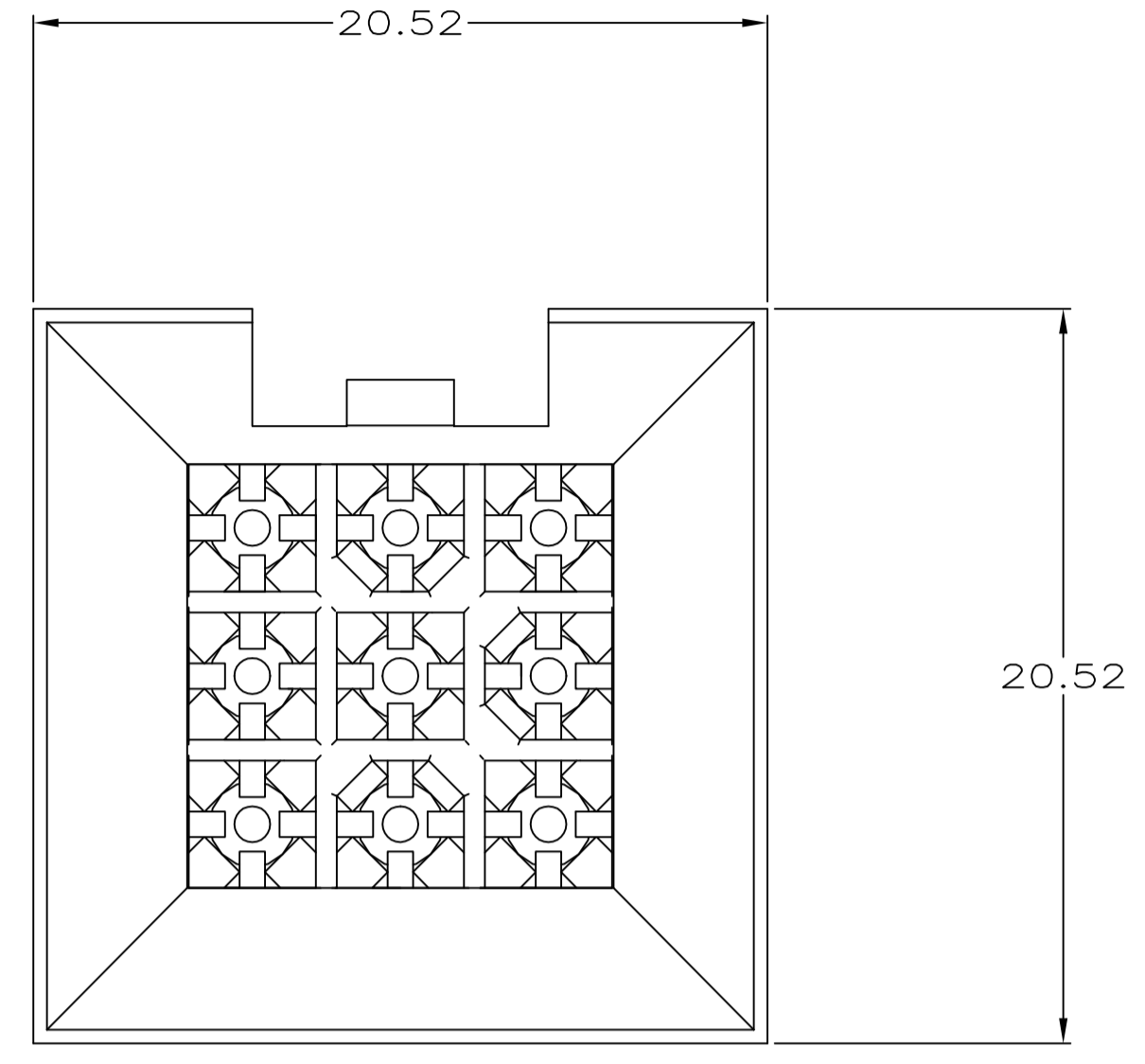
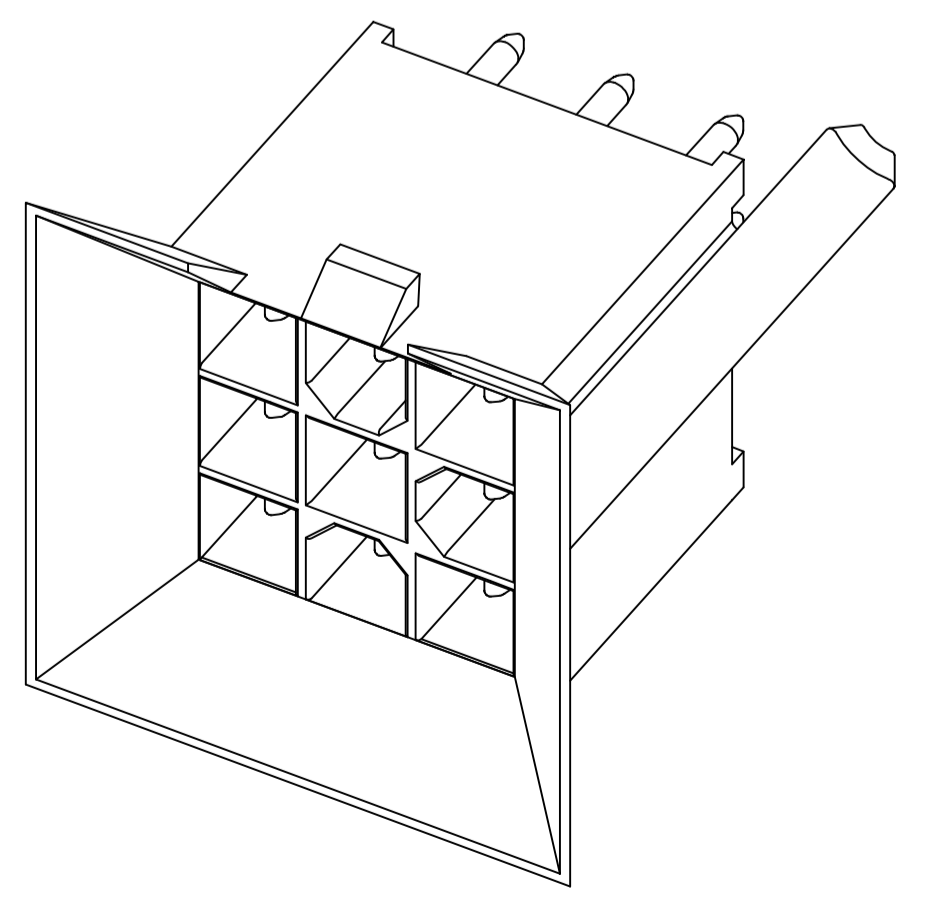


- PINS TO COMPLY WITH AMP SOLDERABILITY SPEC. 108-11-3.
- 0.00381 MIN MATTE TIN LEAD OVER 0.00127 MIN NICKEL.
- 0.00076 MIN GOLD PLATE IN THE LOCALIZED PLATE AREA, 0.00381 MATTE TIN LEAD IN THE LOCALIZED PLATE AREA, BOTH OVER 0.00127 MIN NICKEL.



RECOMMENDED MOUNTING HOLE PATTERN FOR 1.57 THICK P.C. BOARD



3-DIMENSIONAL MODEL NTS

1.000	.0394	20.52	.808
0.76	.030	16.26	.640
0.25	.010	5.08	.200
0.13	.005	4.70	.185
0.08	.003	4.45	.175
0.051	.0020	4.14	.163
0.00381	.000150	3.17	.125
0.00127	.000050	1.57	.062
0.00076	.000030	1.40	.055
MM	IN	MM	IN

CONVERSION TABLE

BRASS, GOLD Δ 3	NYLON, 94V-0, WHITE	794130-2
BRASS, TIN LEAD Δ 2	NYLON, 94V-0, WHITE	794130-1
PIN CONTACT MATERIAL AND FINISH	HOUSING MATERIAL AND COLOR	PART NUMBER
THIS DRAWING IS A CONTROLLED DOCUMENT.		DWN K. WHITAKER 10-14-96
DIMENSIONS: mm		CHK R. SWING 10-14-96
TOLERANCES UNLESS OTHERWISE SPECIFIED:		APVD R. ORSTAD 10-14-96
0 PLC ± -	1 PLC ± -	NAME
2 PLC ± 0.13	3 PLC ± -	PRODUCT SPEC
4 PLC ± -	ANGLES ± -	APPLICATION SPEC
MATERIAL SEE TABLE	FINISH SEE TABLE	WEIGHT
CUSTOMER DRAWING		SIZE A1
SCALE 5:1		CAGE CODE 00779
SHEET 1 OF 1		DRAWING NO. 794130
REV D1		RESTRICTED TO

X-ON Electronics

Largest Supplier of Electrical and Electronic Components

Click to view similar products for [Pin & Socket Connectors](#) category:

Click to view products by [TE Connectivity](#) manufacturer:

Other Similar products are found below :

[6450822-1](#) [770392-1](#) [794042-1](#) [796885-1](#) [8-794535-1](#) [PLR3455ACS-222](#) [R929991004](#) [R929993003](#) [1403611-1](#) [1-480349-5](#) [152302-5](#)
[153211-2](#) [1586092-1](#) [1586129-1](#) [1586681-4](#) [1586700-1](#) [1586368-1](#) [1586380-1](#) [1586616-1](#) [1586680-5](#) [16-06-0038](#) [164164-5](#) [1-6609930-1](#)
[172296-1](#) [19-09-2035](#) [200503-1](#) [200788-2](#) [2029090-4](#) [2029095-4](#) [925061-7](#) [293734-4](#) [293737-2](#) [1-765362-4](#) [1871534-1](#) [200833-4](#)
[2008625-2](#) [2029027-2](#) [2029096-4](#) [R929991000](#) [R929991002](#) [R929993000](#) [319-10-101-00-005000](#) [319-10-102-00-001000](#) [319-10-104-00-001000](#) [319-10-105-00-001000](#) [319-10-108-00-001000](#) [319-10-112-00-006000](#) [39-01-8019](#) [319-10-101-00-001000](#) [319-10-102-00-005000](#)