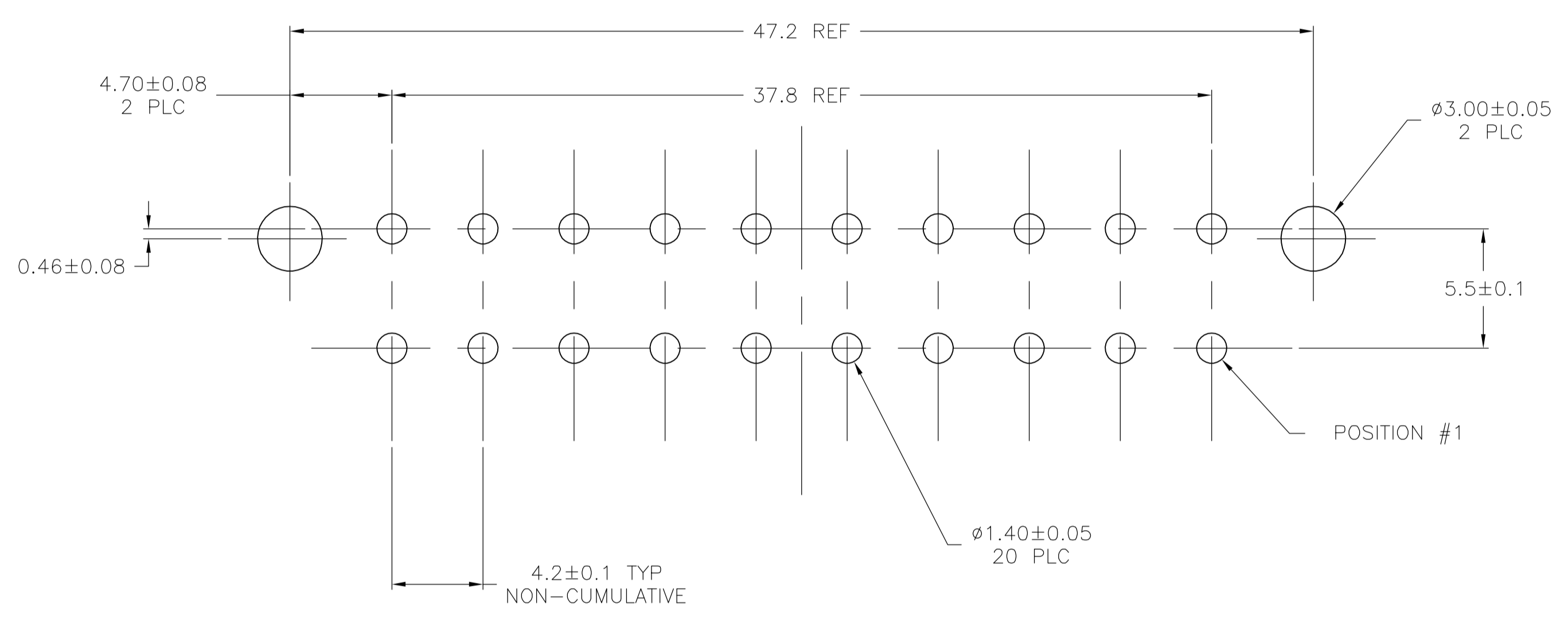
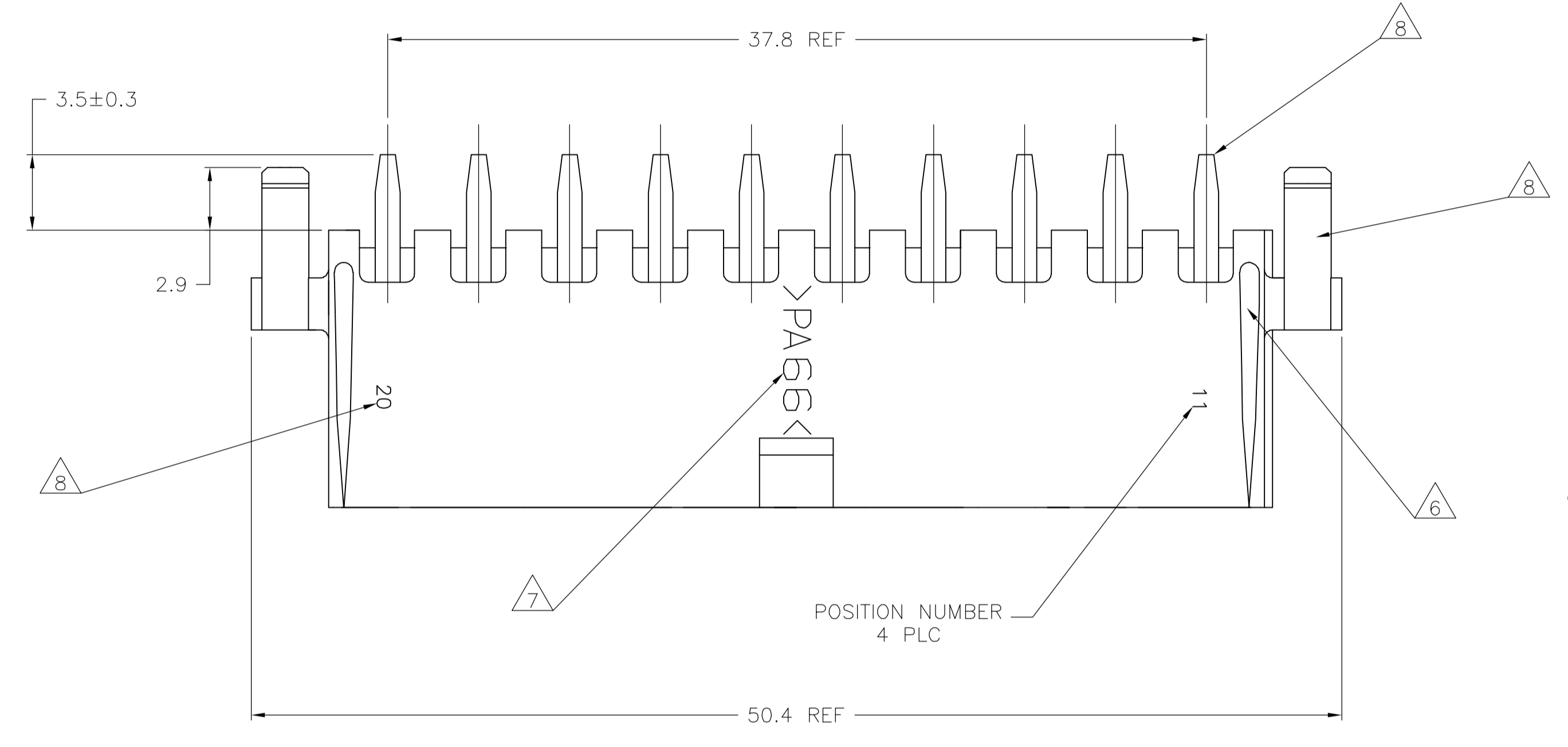
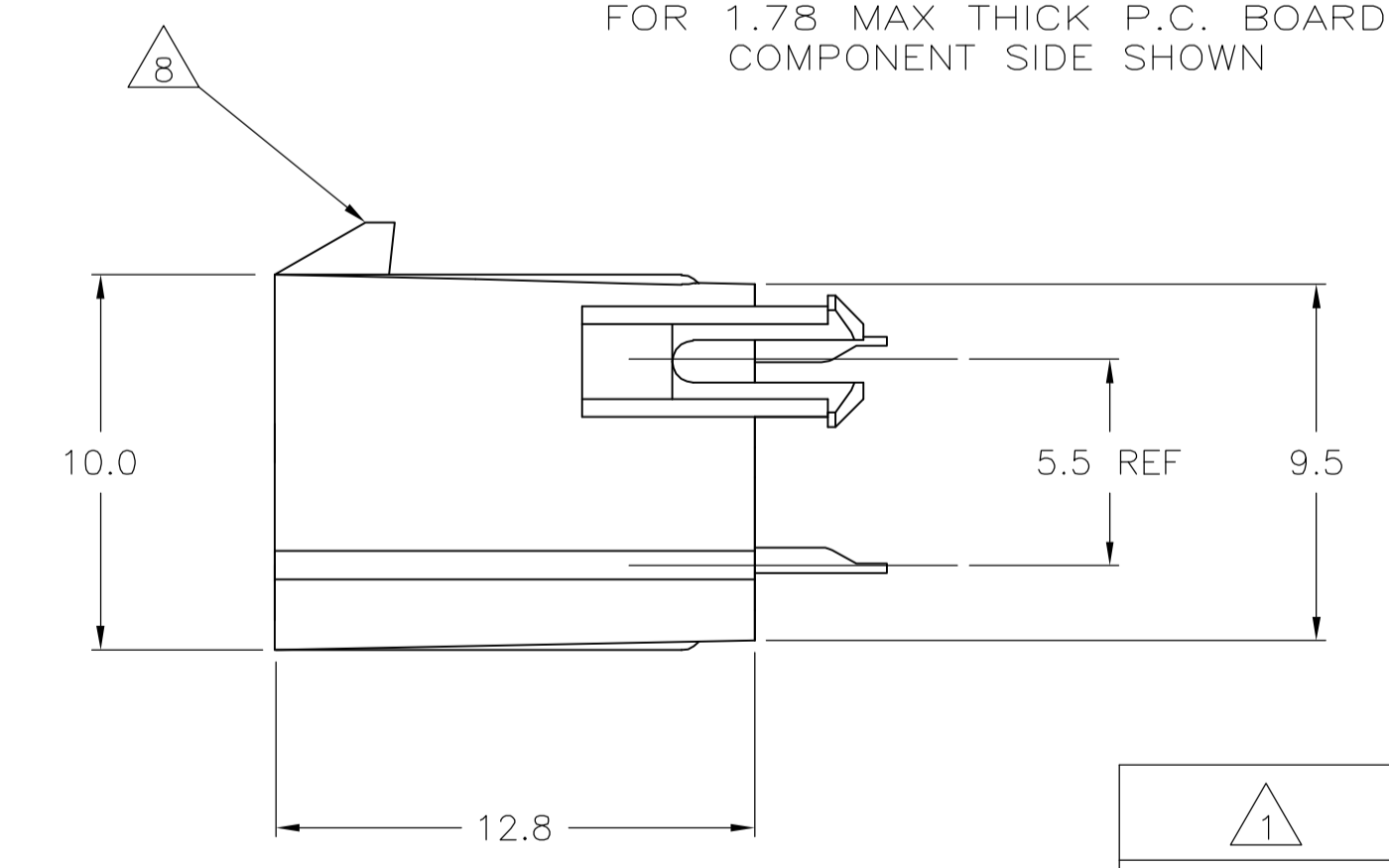
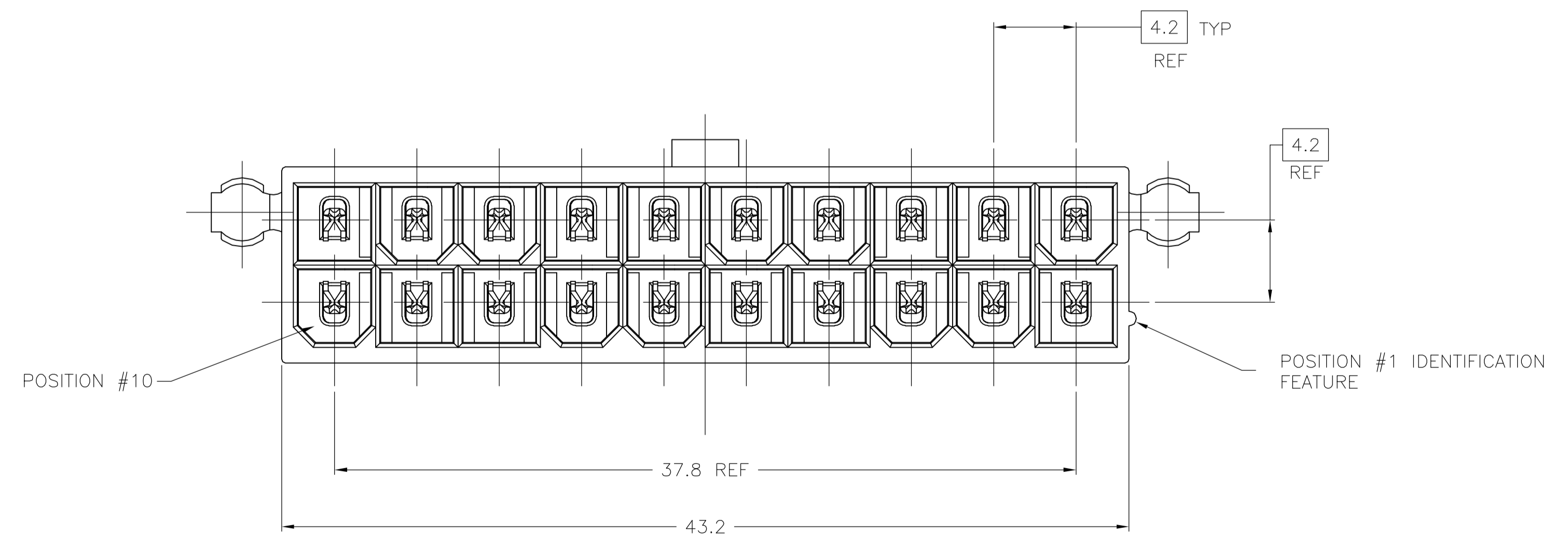


LOC		DIST		REVISIONS			
CM	0	REV	DATE	BY	APP'D	DATE	BY
J		ECO-06-013158	29JUN06	BSV	DC		

- 1 MATERIAL:
HOUSING: NYLON, UL94V-2 (COLOR - NATURAL, COLOR OF PARTS MAY VARY).
CONTACTS: 0.25 THK COPPER ALLOY.
- 2 CONTACT FINISH: 0.003 MIN THK TIN-LEAD OVER 0.00127 MIN THK NICKEL OVER ENTIRE CONTACT.
- 3 CONTACT FINISH: 0.00076 MIN THK GOLD PLATE ON PIN MATING SURFACE, 0.003 MIN THK TIN-LEAD PLATE ON SOLDER TAIL, ALL OVER 0.00127 MIN THK NICKEL BASE PLATE.
- 4 SOLDER TAIL MEETS AMP SOLDERABILITY SPECIFICATION 109-11-2.
- 5 MATES WITH SIMILARLY PLATED AMP-DUAC™ POWER CONNECTOR RECEPTACLE HOUSINGS/SOCKET CONTACTS.
- 6 RIBS ON FOUR CORNERS OPTIONAL.
- 7 AMP LOGO AND MATERIAL ID MAY BE LOCATED ON EITHER LONG SIDE OF PART.
- 8 SIZE, SHAPE OR STYLE OF THIS FEATURE MAY VARY.
- 9 CONTACT FINISH: 0.003 MIN THK TIN OVER 0.00127 MIN THK NICKEL OVER ENTIRE CONTACT.
- 10 CONTACT FINISH: 0.00076 MIN THK GOLD PLATE ON PIN MATING SURFACE, 0.003 MIN THK TIN PLATE ON SOLDER TAIL, ALL OVER 0.00127 MIN THK NICKEL BASE PLATE.



RECOMMENDED MOUNTING HOLE PATTERN FOR 1.78 MAX THICK P.C. BOARD COMPONENT SIDE SHOWN



SUPERCEDED BY 1-794311-2
 SUPERCEDED BY 1-794311-1

1	10	1	1	1-794311-2
1	9	1	1	1-794311-1
1	3	1	1	794311-2
1	2	1	1	794311-1
MATERIAL	FINISH	MATERIAL	COLOR	PART NO

CONTACT		HOUSING		PART NO
0 PLC	± -	DIN R VESTAL	24JUN97	
1 PLC	± 0.2	CHK R SWING	24JUN97	
2 PLC	± 0.13	Tyco Electronics Corporation		1-794311-1
3 PLC	± -	Harrisburg, PA 17105-3608		
4 PLC	± -	Tyco Electronics Corporation		794311-2
ANGLES	± 0.30°	Harrisburg, PA 17105-3608		
FINISH	SEE TABLE	NAME		794311-1
MATERIAL	SEE TABLE	F. BEILES		
TOLERANCES UNLESS OTHERWISE SPECIFIED:		PRODUCT SPEC		108-1699
mm		APPLICATION SPEC		
THIS DRAWING IS A CONTROLLED DOCUMENT.		SIZE		A1
DIMENSIONS:		CASE CODE		
WEIGHT		DRAWING NO		00779
CUSTOMER DRAWING		SCALE		
SCALE		SHEET		1 of 1
SCALE 5:1		REV		

X-ON Electronics

Largest Supplier of Electrical and Electronic Components

Click to view similar products for [Pin & Socket Connectors](#) category:

Click to view products by [TE Connectivity](#) manufacturer:

Other Similar products are found below :

[6450822-1](#) [770392-1](#) [794042-1](#) [796885-1](#) [8-794535-1](#) [881459-2](#) [R929993003](#) [1-350779-3](#) [1403611-1](#) [1-480349-5](#) [1586092-1](#) [1586129-1](#)
[1586487-1](#) [1586681-4](#) [1586700-1](#) [1586065-1](#) [1586077-1](#) [1586368-1](#) [1586380-1](#) [1586680-5](#) [1586681-2](#) [1604996-1](#) [16-06-0038](#) [164164-5](#) [1-](#)
[6609930-1](#) [172296-1](#) [1-794714-6](#) [19-09-2035](#) [1969804-1](#) [200503-1](#) [200788-2](#) [201046-7](#) [202648-4](#) [2029076-2](#) [2029090-4](#) [2029095-4](#) [2-](#)
[66102-6](#) [925061-7](#) [926681-1](#) [293734-4](#) [293737-2](#) [1-765362-4](#) [1-794606-3](#) [1871534-1](#) [1969795-1](#) [1969798-1](#) [1969800-1](#) [200833-4](#)
[2008625-2](#) [2029027-2](#)