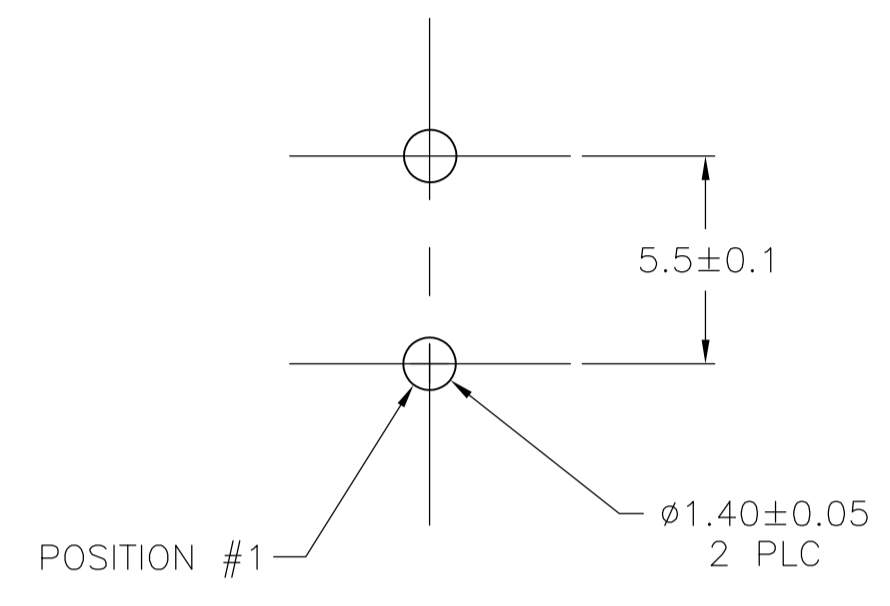
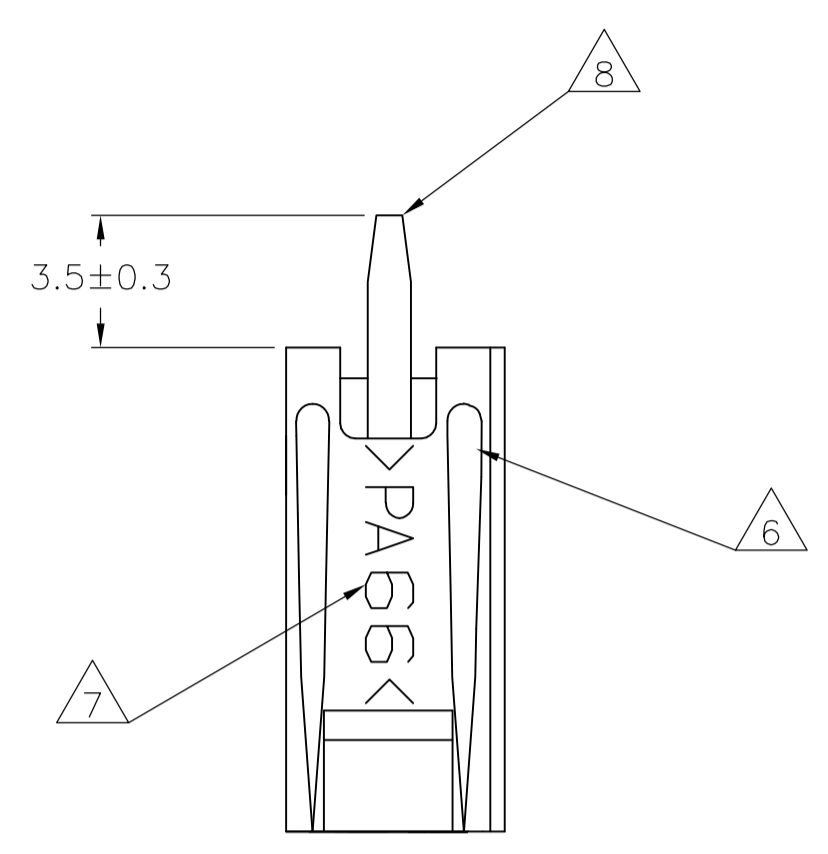
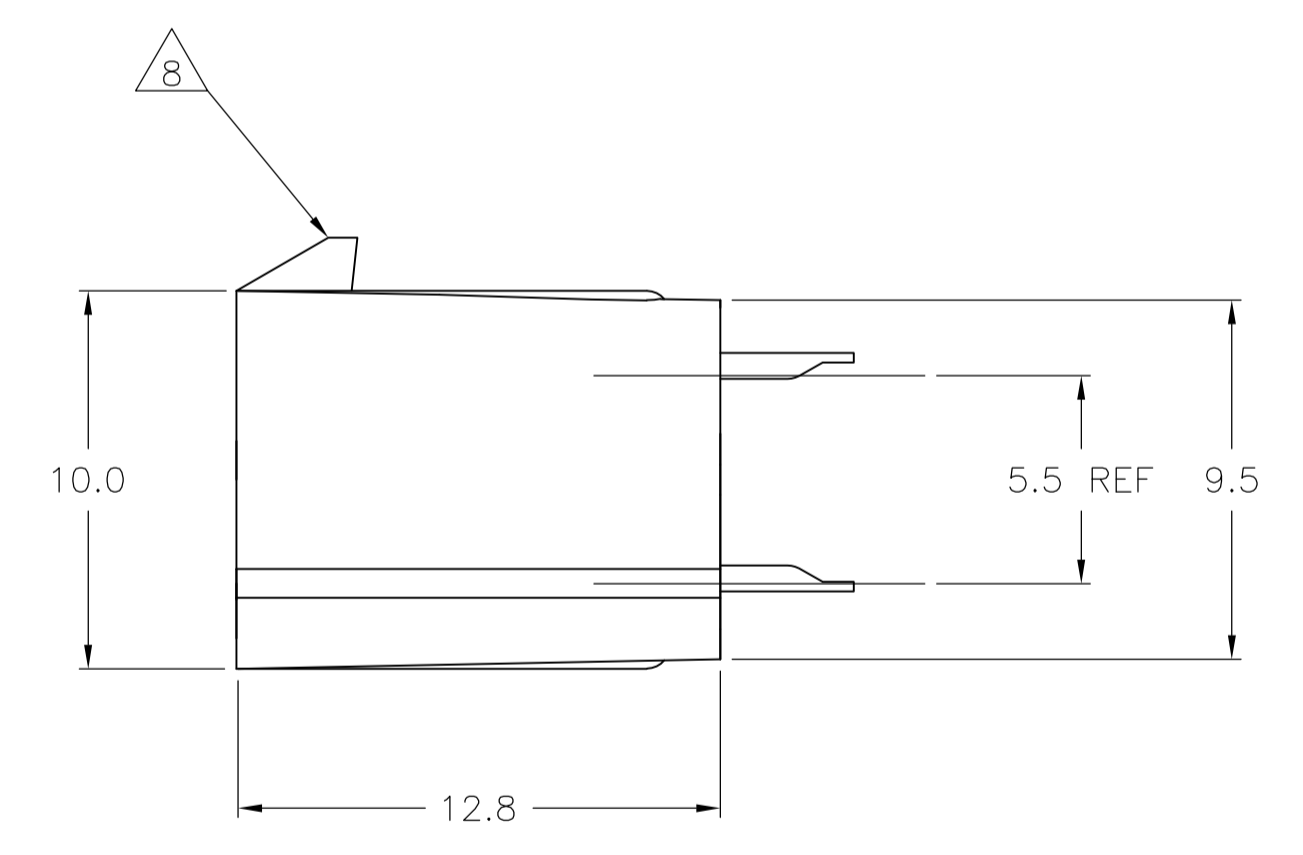
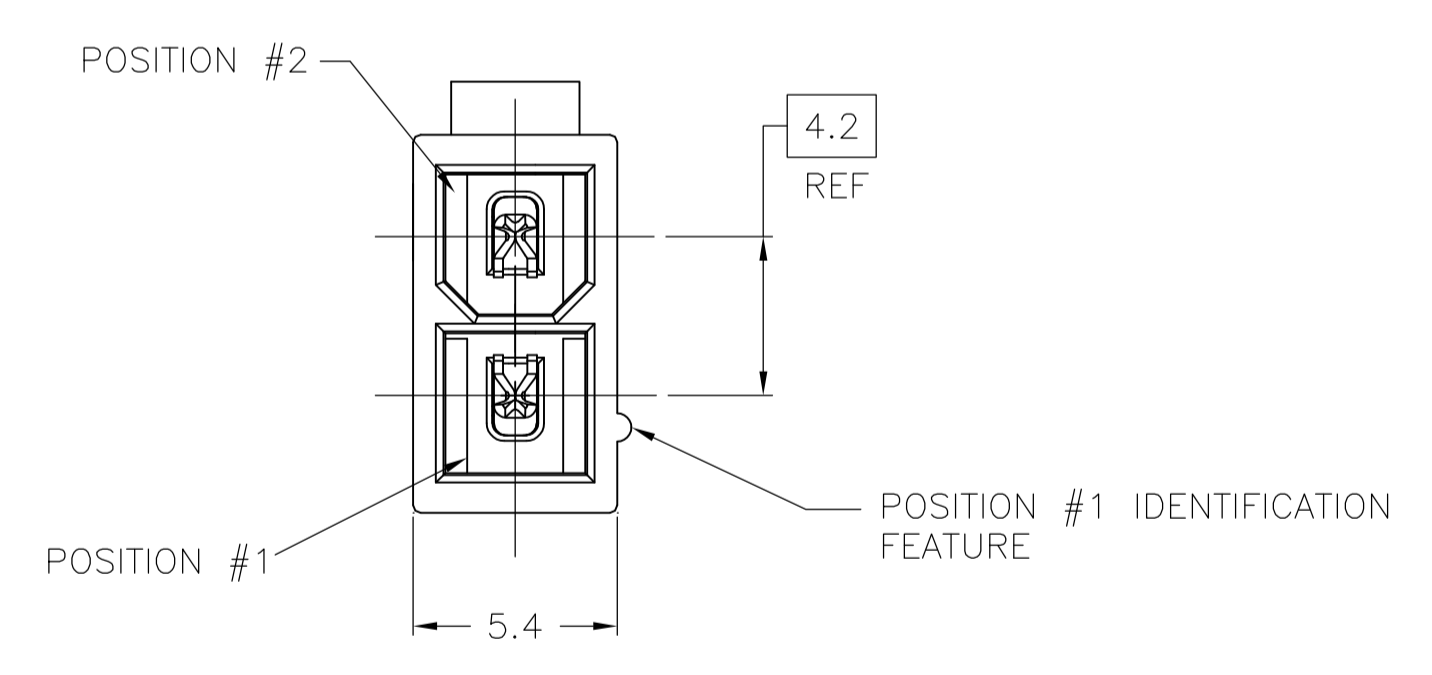


LOC		DIST		REVISIONS			
P	LTR	DESCRIPTION	DATE	DMN	APVD		
C		ECO-06-013157	15JUN06	BSV	DC		
C1		REVISED PER ECO-09-022908	08OCT09	KK	AEG		



RECOMMENDED MOUNTING HOLE PATTERN
 FOR 1.78 MAX THICK P.C. BOARD
 COMPONENT SIDE SHOWN



- 1 MATERIAL:
HOUSING: NYLON, UL94V-2 (COLOR - NATURAL, COLOR OF PARTS MAY VARY).
CONTACTS: 0.25 THK COPPER ALLOY.
- 2 CONTACT FINISH: 0.003 MIN THK TIN-LEAD OVER 0.00127 MIN THK NICKEL OVER ENTIRE CONTACT.
- 3 CONTACT FINISH: 0.00076 MIN THK GOLD PLATE ON PIN MATING SURFACE, 0.003 MIN THK TIN-LEAD PLATE ON SOLDER TAIL, ALL OVER 0.00127 MIN THK NICKEL BASE PLATE.
- 4 SOLDER TAIL MEETS AMP SOLDERABILITY SPECIFICATION 109-11-2.
- 5 MATES WITH SIMILARLY PLATED AMP-DUAC™ POWER CONNECTOR RECEPTACLE HOUSINGS/SOCKET CONTACTS.
- 6 RIBS ON FOUR CORNERS OPTIONAL.
- 7 AMP LOGO AND MATERIAL ID MAY BE LOCATED ON EITHER LONG SIDE OF PART.
- 8 SIZE, SHAPE OR STYLE OF THIS FEATURE MAY VARY.
- 9 CONTACT FINISH: 0.003 MIN THK TIN OVER 0.00127 MIN THK NICKEL OVER ENTIRE CONTACT.
- 10 CONTACT FINISH: 0.00076 MIN THK GOLD PLATE ON PIN MATING SURFACE, 0.003 MIN THK TIN PLATE ON SOLDER TAIL, ALL OVER 0.00127 MIN THK NICKEL BASE PLATE.
- 11 OBSOLETE PARTS: OBSOLETE CIS STREAMLINING PER D.RENAUD/D.SINISI

11	OBSOLETE	1	10	1	1	1-794349-2
		1	9	1	1	1-794349-1
	SUPERCEDED BY 1-794349-2	1	3	1	1	794349-2
	SUPERCEDED BY 1-794349-1	1	2	1	1	794349-1

CONTACT		HOUSING		PART NO	
MATERIAL		MATERIAL		COLOR	
FINISH		MATERIAL		COLOR	
THIS DRAWING IS A CONTROLLED DOCUMENT.					
DIMENSIONS: mm		TOLERANCES UNLESS OTHERWISE SPECIFIED:		APPROVED: CASH 03JUN98	
0 PLC ± -		1 PLC ± 0.2		NAME: Tyco Electronics Corporation	
1 PLC ± 0.2		2 PLC ± 0.13		Harrisburg, Pa 17105-3608	
2 PLC ± 0.13		3 PLC ± -		Tyco Electronics Corporation	
3 PLC ± -		4 PLC ± -		Harrisburg, Pa 17105-3608	
4 PLC ± -		ANGLES ± 0°30'		Tyco Electronics Corporation	
MATERIAL SEE TABLE		FINISH SEE TABLE		PRODUCT SPEC: 108-1699	
				APPLICATION SPEC: -	
				SIZE: A1	
				CASE CODE: 00779	
				DRAWING NO: 794349	
				RESTRICTED TO: -	
				WEIGHT: -	
				CUSTOMER DRAWING	
				SCALE: 5:1	
				SHEET: 1 of 1	
				REV: C1	

X-ON Electronics

Largest Supplier of Electrical and Electronic Components

Click to view similar products for [Pin & Socket Connectors](#) category:

Click to view products by [TE Connectivity](#) manufacturer:

Other Similar products are found below :

[6450822-1](#) [770392-1](#) [794042-1](#) [796885-1](#) [8-794535-1](#) [881459-2](#) [R929993003](#) [1-350779-3](#) [1403611-1](#) [1-480349-5](#) [1586092-1](#) [1586129-1](#)
[1586487-1](#) [1586681-4](#) [1586700-1](#) [1586065-1](#) [1586077-1](#) [1586368-1](#) [1586380-1](#) [1586680-5](#) [1586681-2](#) [1604996-1](#) [16-06-0038](#) [164164-5](#) [1-](#)
[6609930-1](#) [172296-1](#) [1-794714-6](#) [19-09-2035](#) [1969804-1](#) [200503-1](#) [200788-2](#) [201046-7](#) [202648-4](#) [2029076-2](#) [2029090-4](#) [2029095-4](#) [2-](#)
[66102-6](#) [925061-7](#) [926681-1](#) [293734-4](#) [293737-2](#) [1-765362-4](#) [1-794606-3](#) [1871534-1](#) [1969795-1](#) [1969798-1](#) [1969800-1](#) [200833-4](#)
[2008625-2](#) [2029027-2](#)