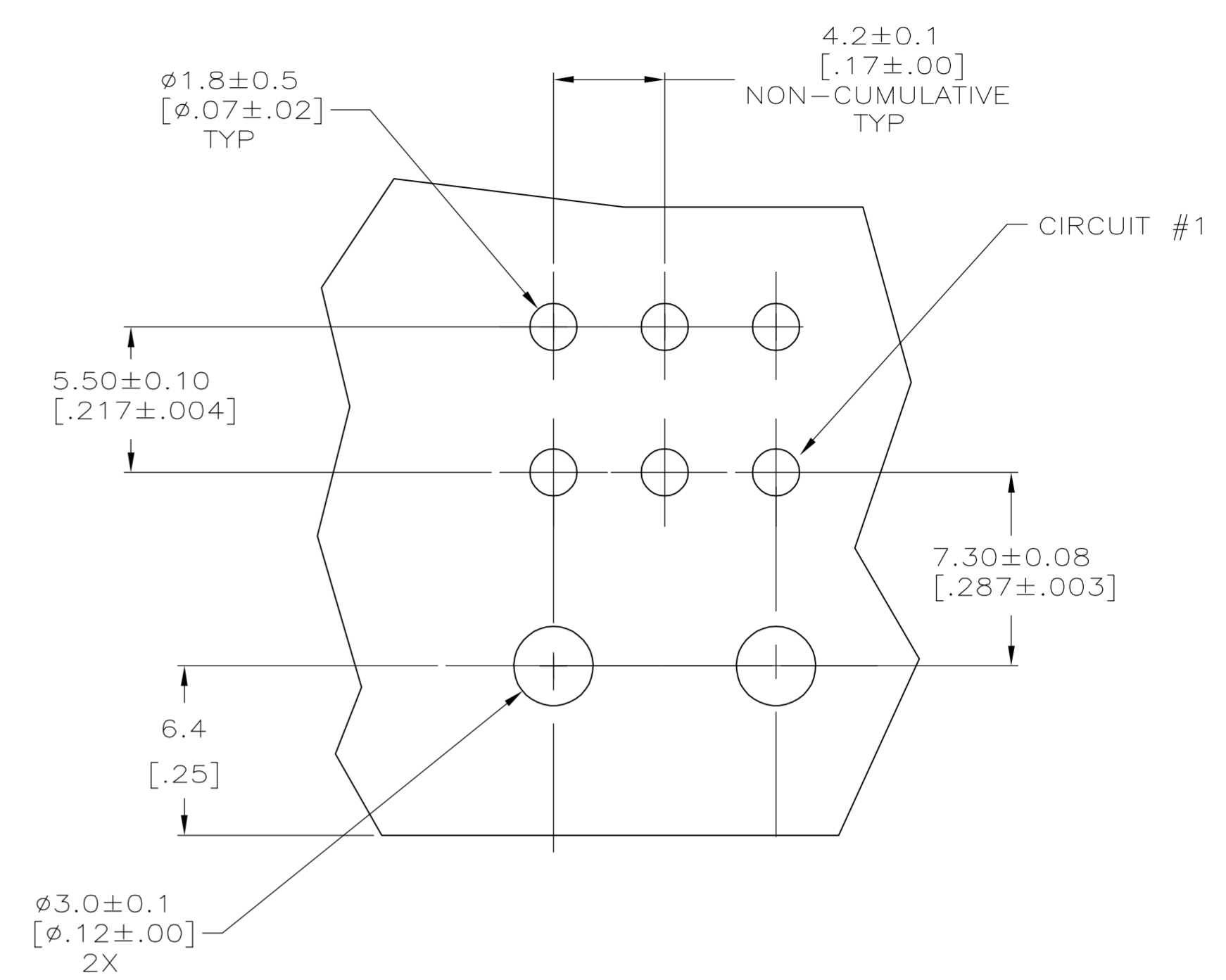
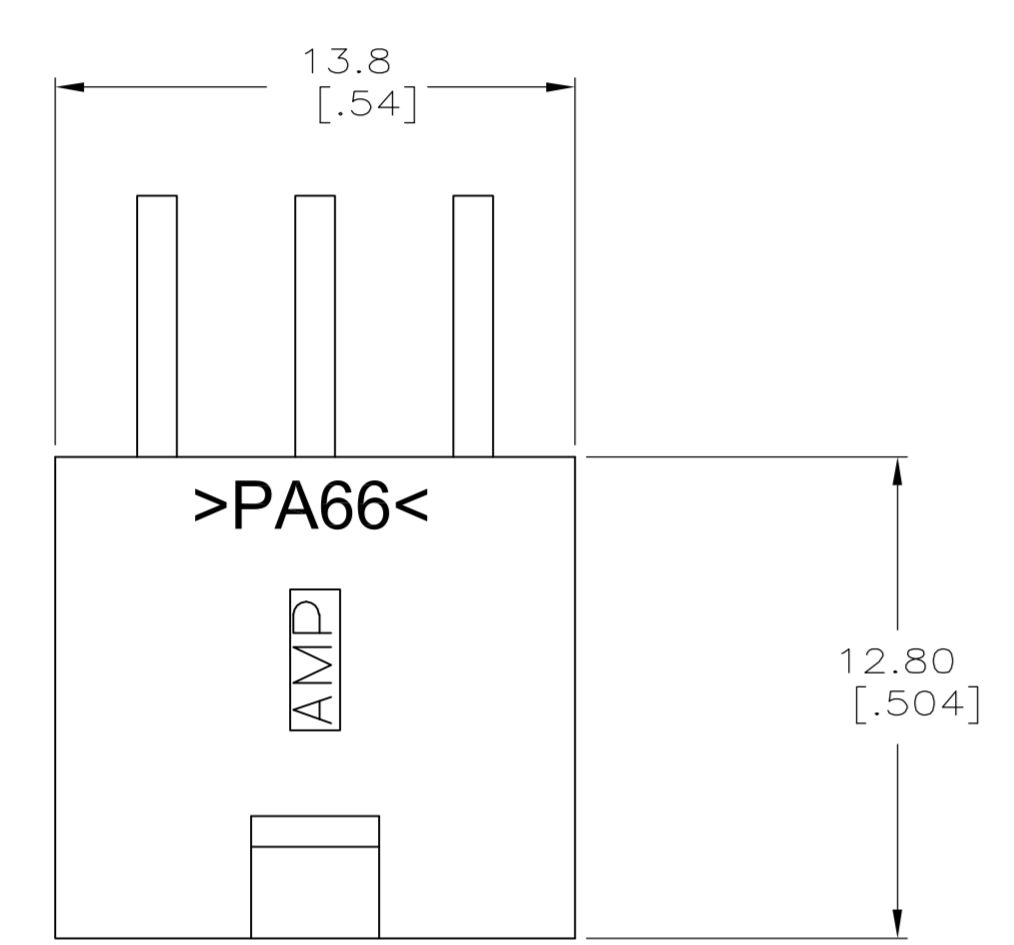
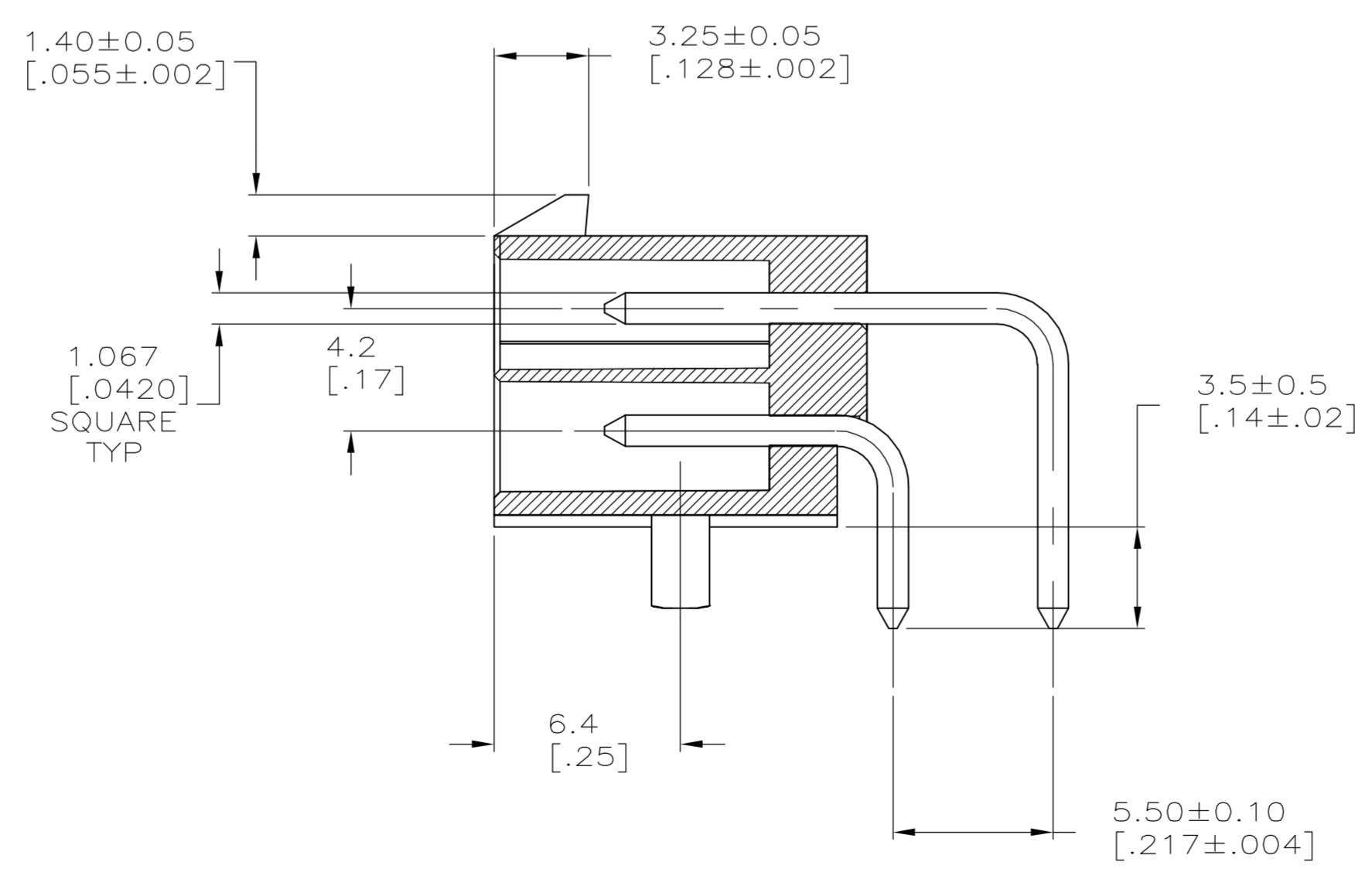
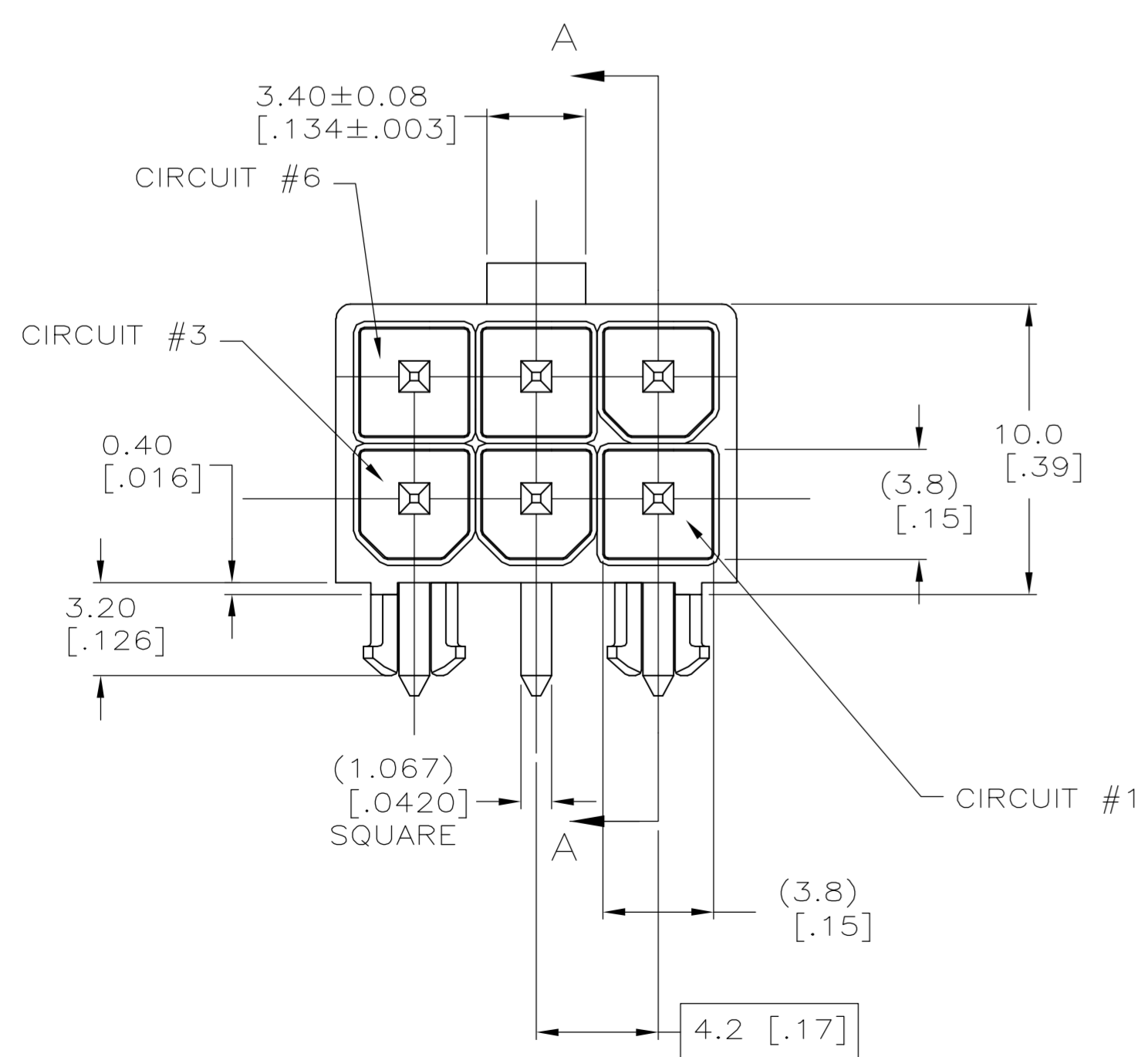


- 1 MATERIAL: HOUSING - NYLON, UL94V-2 (COLOR - NATURAL).  
PIN - 1.067mm<sup>2</sup> [.0017in<sup>2</sup>] COPPER ALLOY.
- 2 PINS TO COMPLY WITH SOLDERABILITY SPEC 109-11-3.
- 3 0.00381 [.000150] MINIMUM TIN LEAD OVER 0.00127 [.000050] MINIMUM NICKEL, ENTIRE LENGTH OF PIN.
- 4 NOTE DELETED.
- 5 0.00381 [.000150] MINIMUM TIN OVER 0.00127 [.000050] MINIMUM NICKEL, ENTIRE LENGTH OF PIN.



RECOMMENDED MOUNTING HOLE PATTERN FOR 1.78 [.070] MAX THICK P.C. BOARD COMPONENT SIDE SHOWN



SECTION A-A

SUPERSEDED BY 1-794448-1

1	5	1	1	1-794448-1
1	3	1	1	794448-1
MATERIAL		FINISH		ASSEMBLY
PIN		HOUSING		

**METRIC**

THIS DRAWING IS A CONTROLLED DOCUMENT.

DIMENSIONS:	mm [INCHES]	TOLERANCES UNLESS OTHERWISE SPECIFIED:	0 PLC ± 0.2 [0.1]	1 PLC ± 0.13 [0.005]	2 PLC ± 0.13 [0.005]	3 PLC ± 0.13 [0.005]	4 PLC ± 0.13 [0.005]	ANGLES: ± 0° 30'	
MATERIAL	SEE CHART	FINISH	SEE CHART	DWN S. HOOVER 02-MAR-2005		CHK D. COLEY 02-MAR-2005		APVD D. COLEY 02-MAR-2005	
CUSTOMER DRAWING				SCALE 5:1		SHEET 1 OF 1		REV D	

tyco Electronics Corporation Harrisburg, Pa 17105-3608

ASSEMBLY, HEADER, RIGHT ANGLE, 6 POSITION, W/PEGS, 94V-2, AMP-DUAC (TM) POWER CONNECTOR

108-1646 APPLICATION SPEC 114-6067

SIZE CASE CODE DRAWING NO. A1 00779 C=794448

## X-ON Electronics

Largest Supplier of Electrical and Electronic Components

*Click to view similar products for [TE Connectivity](#) manufacturer:*

Other Similar products are found below :

[D38999/24FJ4AN](#) [570416-000](#) [CLTEQ-M81CE-SSRELAY-4-20V](#) [4-1195131-0](#) [650069-000](#) [SMD100-2](#) [358838-000](#) [CB-1022B-78](#)  
[RM707012](#) [RP410012](#) [MMS42](#) [1-640426-8](#) [2EDL4CM](#) [DTS20W19-11PD-3028-LC](#) [RM202615](#) [NC6-P104-06](#) [MSPS103B](#) [DTS26F21-](#)  
[41HE-LC](#) [DTS26F21-41AE](#) [DTS26F21-41PE-LC](#) [DTS26F21-11SE-3028-LC](#) [30DCB6](#) [1932144-1](#) [293545-4](#) [LVR125S](#) [MS27466T25F4PB](#)  
[CKB-38-78010](#) [TR04AI-TINELLOCKRING](#) [1206SFF150F/63-2](#) [D38999/20JB35HA](#) [TE1500A2R2J](#) [D38999/20WC8BB](#) [DTS24F19-11SC-](#)  
[3028-LC](#) [D38999/24WG11HA](#) [D38999/24WG11HN](#) [MS27467T21F11H](#) [DJT16E21-11HA](#) [MS27467T21F35J](#) [MS27467T21F11J](#)  
[MS27467T21F16H-LC](#) [MS27467T21F35H](#) [MS27467T21F41H-LC](#) [1206SFH150F/24-2](#) [RP330024](#) [DJT16E21-11PA-LC](#) [DJT16E21-11HA-](#)  
[LC](#) [DJT16E21-11AA](#) [MS27467T21B11JA](#) [DJT16E21-11JA](#) [MS27467T21B11JA-LC](#)