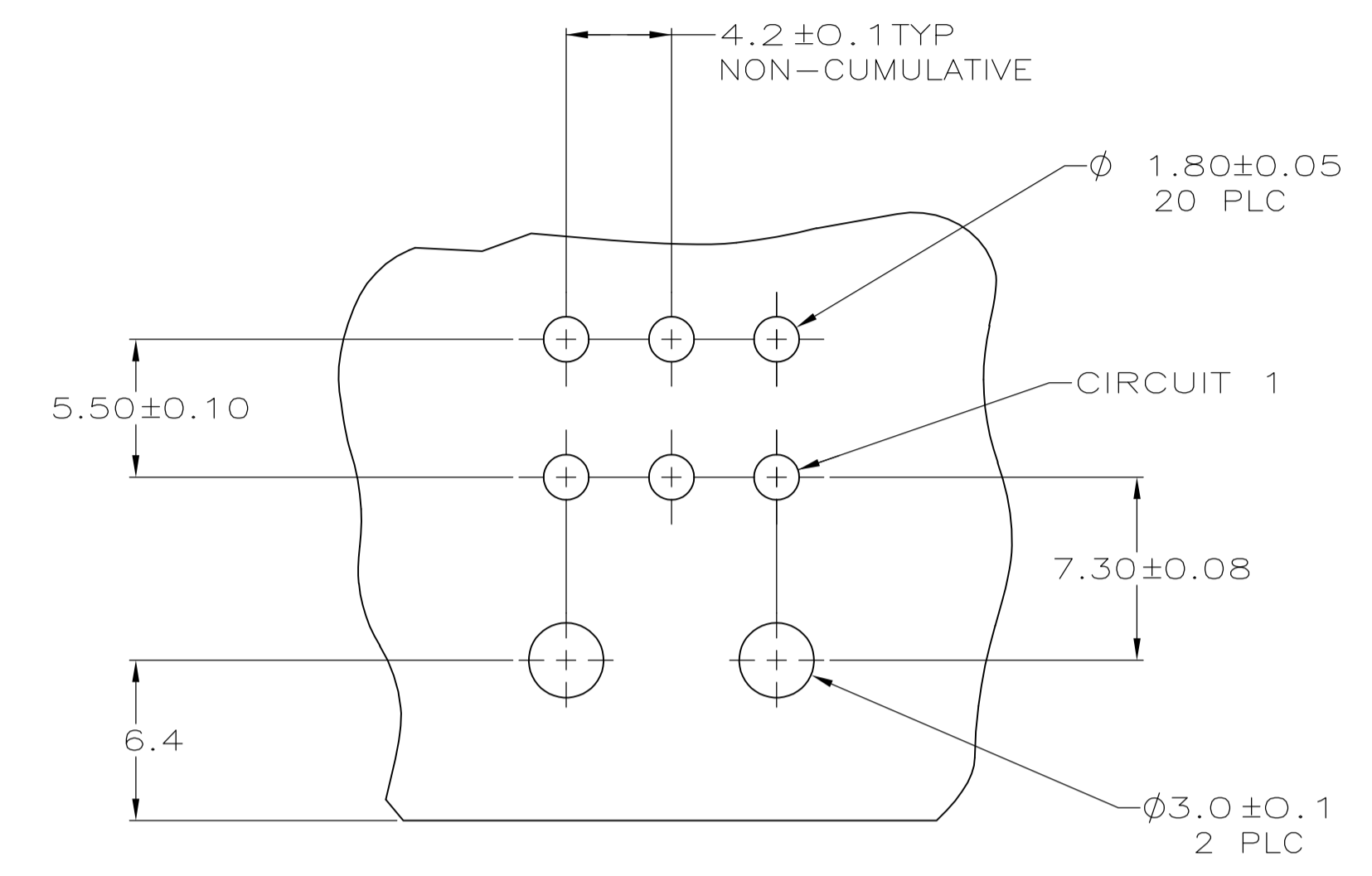
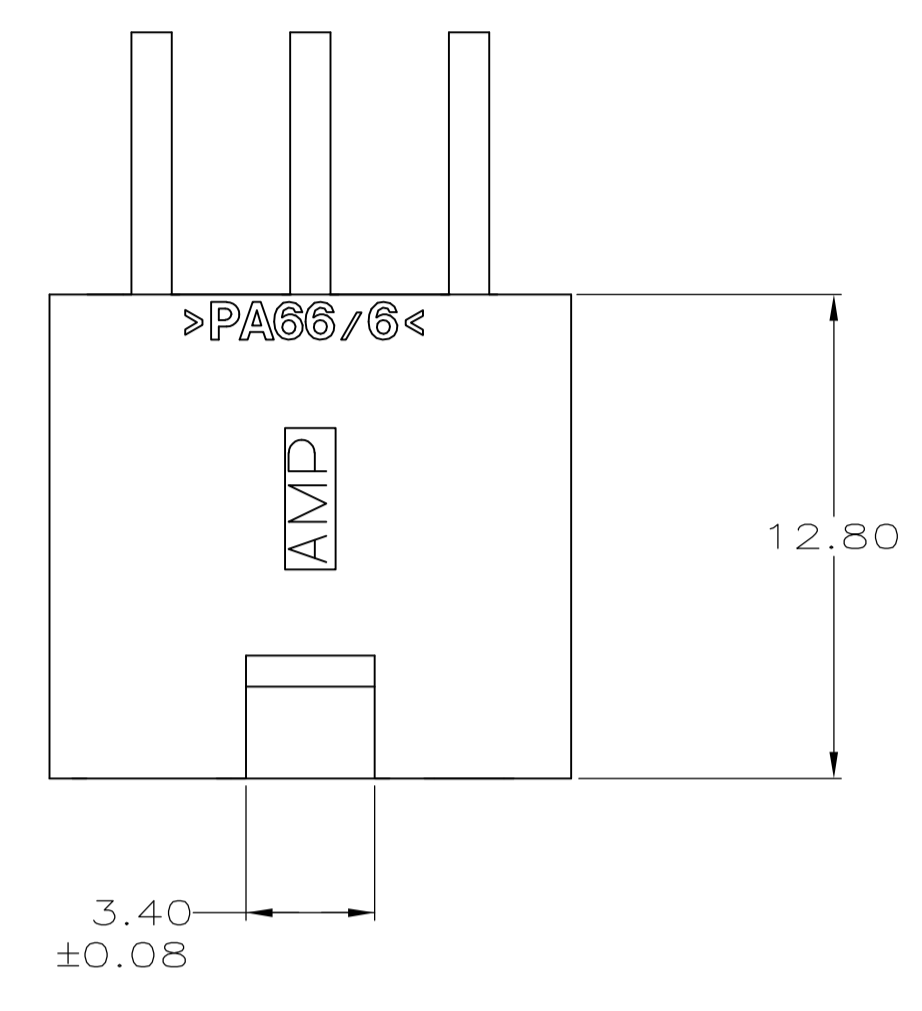
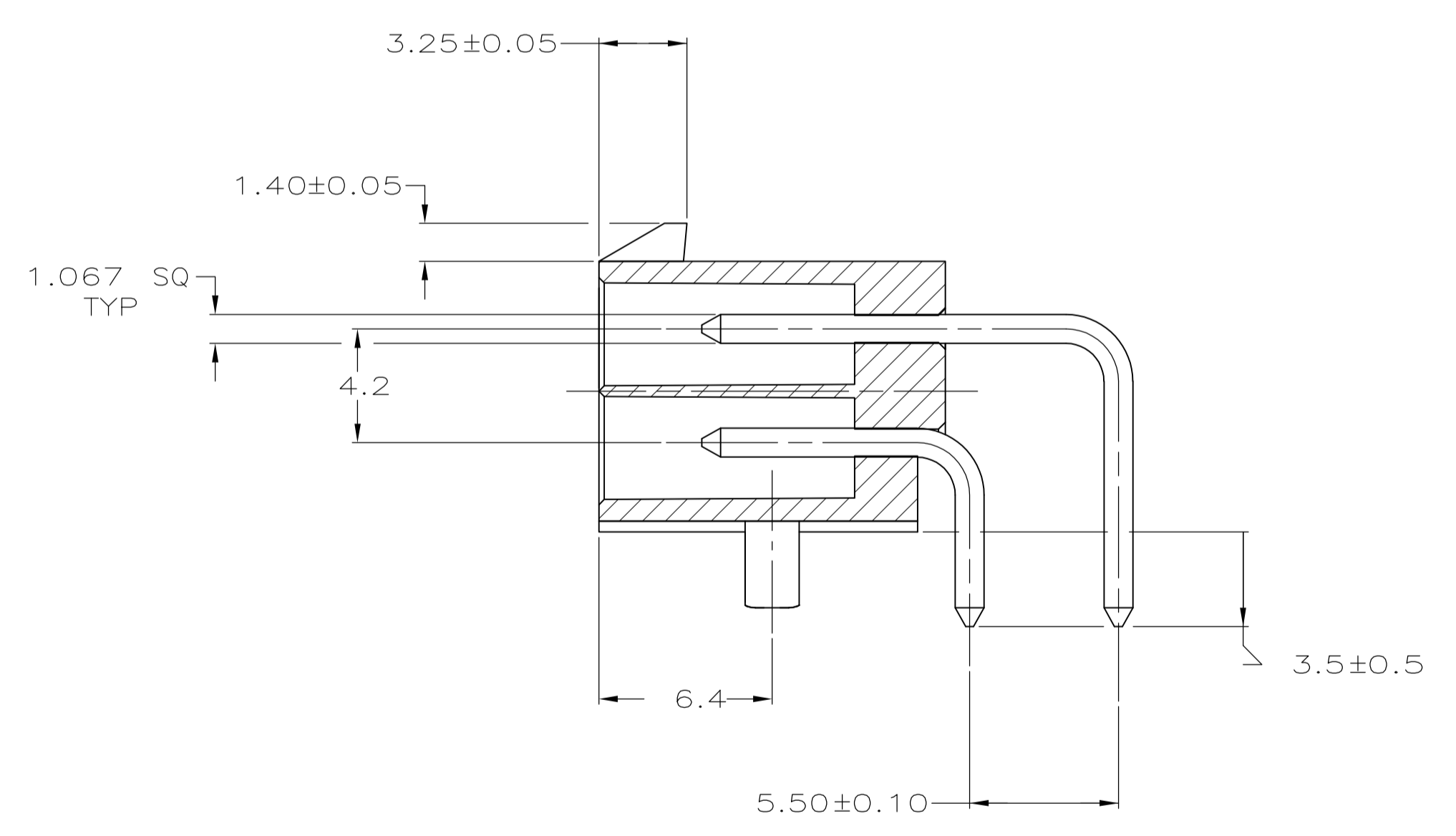
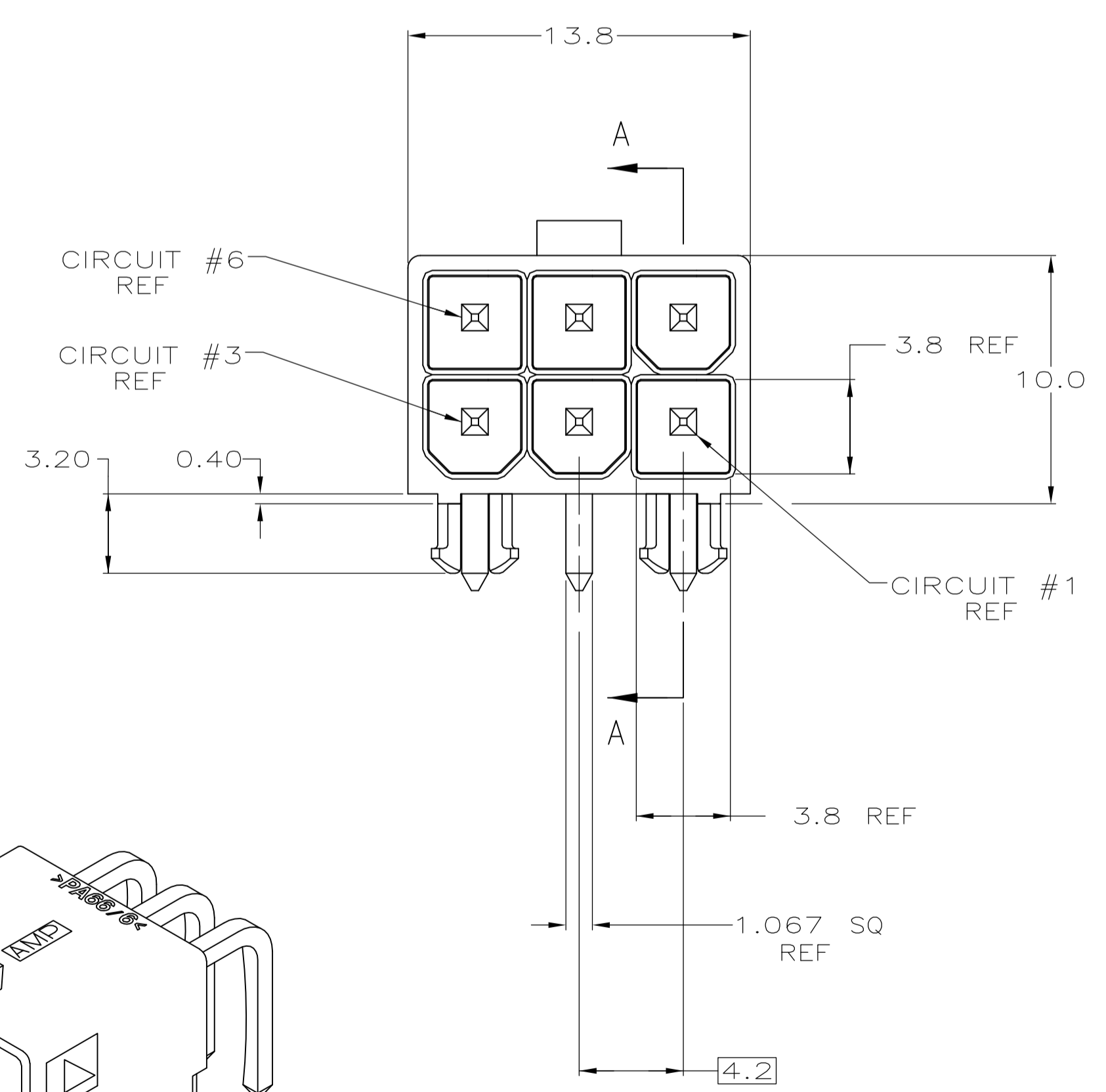


LOC		DIST		REVISIONS			
CM	00	P	LTR	DESCRIPTION	DATE	DWN	APVD
		D1		REVISED PER ECO-11-019177	21SEP11	KH	SM

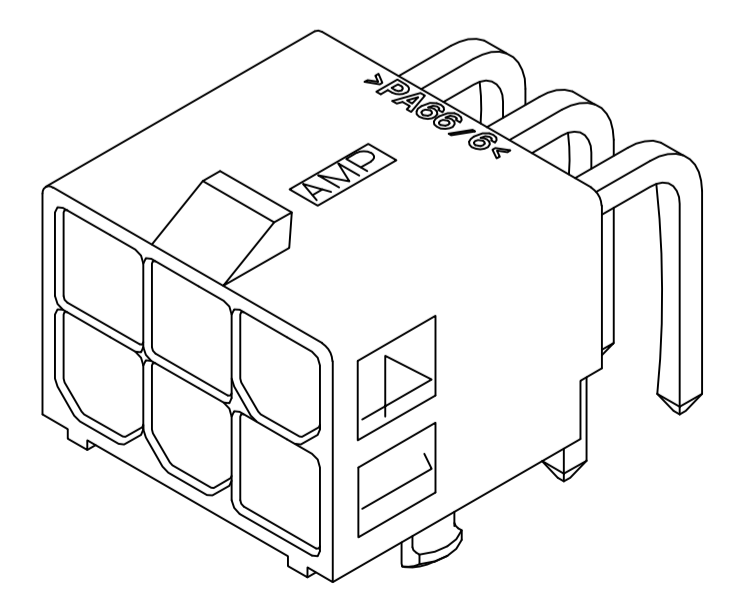
- △ MATERIAL: HOUSING - NYLON, UL94V-0 (COLOR - WHITE).
CONTACTS - 1.067 SQ. COPPER ALLOY.
- 2. PINS TO COMPLY WITH AMP SOLDERABILITY SPEC 109-11-3.
- △ 0.00381 MIN TIN LEAD OVER 0.00127 MIN NICKEL
ENTIRE LENGTH OF PIN.
- △ NOTE DELETED.
- △ 0.00381 MIN TIN OVER 0.00127 MIN NICKEL
ENTIRE LENGTH OF PIN.
- △ 0.00076 [.000030] MIN GOLD IN THE LOCALIZED PLATE AREA
0.00381 [.000150] MIN TIN IN THE LOCALIZED PLATE AREA
BOTH OVER 0.00127 [.000050] MIN NICKEL.



RECOMMENDED MOUNTING HOLE PATTERN
FOR 1.78 MAX THICK P.C. BOARD
COMPONENT SIDE SHOWN
SCALE 4:1



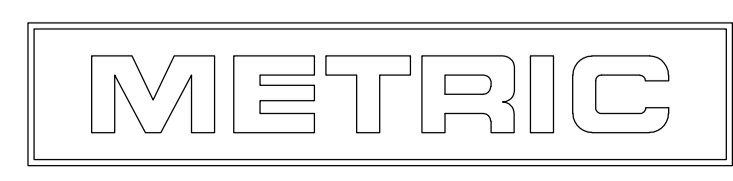
SECTION A-A



3-DIMENSIONAL MODEL
NTS

SUPERSEDED BY 1-794448-1

△ 1	△ 6	△ 1	△ 1	1-794528-2
△ 1	△ 5	△ 1	△ 1	1-794528-1
△ 1	△ 3	△ 1	△ 1	794528-1
MATERIAL	FINISH	MATERIAL	COLOR	PART NO
PIN		HOUSING		
THIS DRAWING IS A CONTROLLED DOCUMENT.				
DIMENSIONS: mm		TOLERANCES UNLESS OTHERWISE SPECIFIED:		
0 PLC ± -		1 PLC ± 0.2 [.01]		
1 PLC ± 0.13 [.005]		2 PLC ± -		
2 PLC ± -		3 PLC ± -		
3 PLC ± -		4 PLC ± -		
4 PLC ± -		ANGLES ± 0°30'		
MATERIAL SEE TABLE	FINISH SEE TABLE	WEIGHT	SIZE	RESTRICTED TO
			A1 00779	
CUSTOMER DRAWING		SCALE	SHEET	REV
		5:1	1 of 1	D1



X-ON Electronics

Largest Supplier of Electrical and Electronic Components

Click to view similar products for [Headers & Wire Housings](#) category:

Click to view products by [TE Connectivity](#) manufacturer:

Other Similar products are found below :

[95000-104TRLF](#) [10135584-644402LF](#) [DF62W-EP2022PCA](#) [95000-106TRLF](#) [DF62W-2022SCA](#) [DF62W-EP2022PC](#) [2203348](#) [DF62W-2022SC](#) [1084018](#) [1029039](#) [1084017](#) [802-10-012-10-002000](#) [1112640](#) [1112639](#) [000-34000](#) [0009482033](#) [0009507031](#) [57102-S06-03LF](#) [57202-S52-04LF](#) [PCN6-15S-2.5E](#) [0039019024](#) [58102-G61-06LF](#) [582553-1](#) [0009508121](#) [0050291907](#) [018731A](#) [LY20-4P-DT1-P1E-BR](#) [02.125.8002.8](#) [60101931](#) [60598-1 \(Cut Strip\)](#) [M1625-3R/100](#) [61062-3](#) [61082-181009](#) [636-1427](#) [638009-1](#) [641938-9](#) [641991-4](#) [644168-1](#) [647662-1](#) [65039-019ELF](#) [65817-002LF](#) [65817-015LF](#) [65863-015LF](#) [66207-023LF](#) [67016-026LF](#) [67046-001LF](#) [67095-007LF](#) [68002-116](#) [68016-236H](#) [68648-049](#)