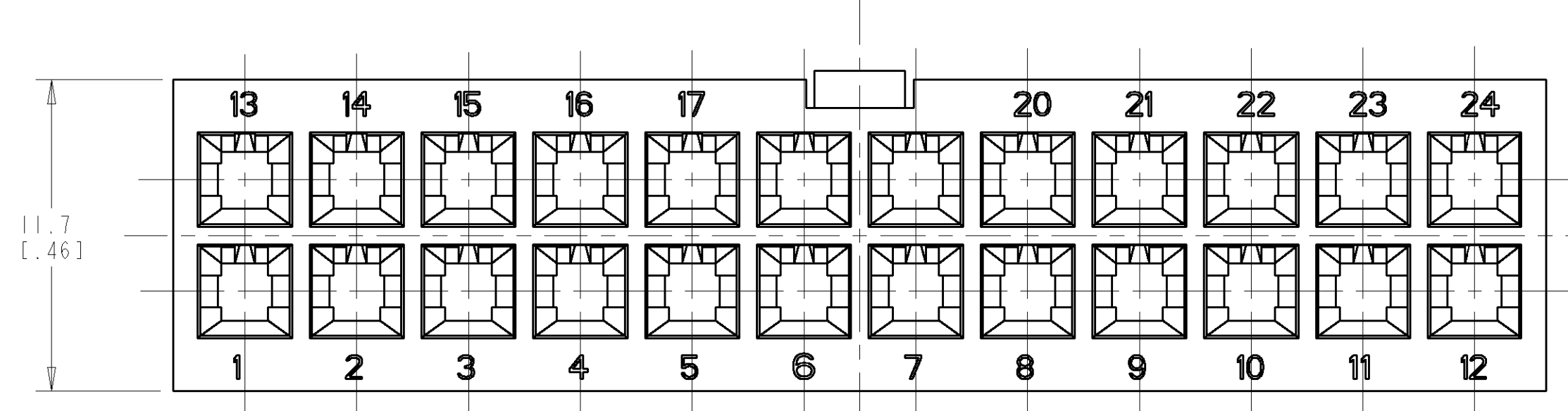
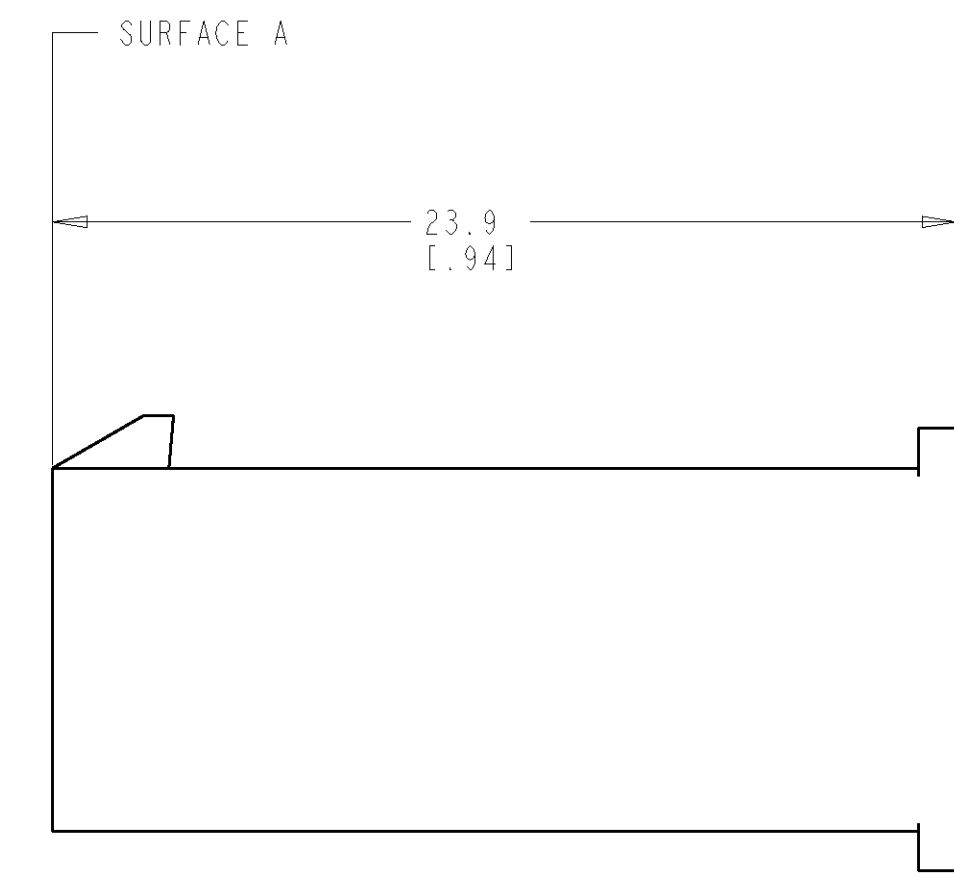
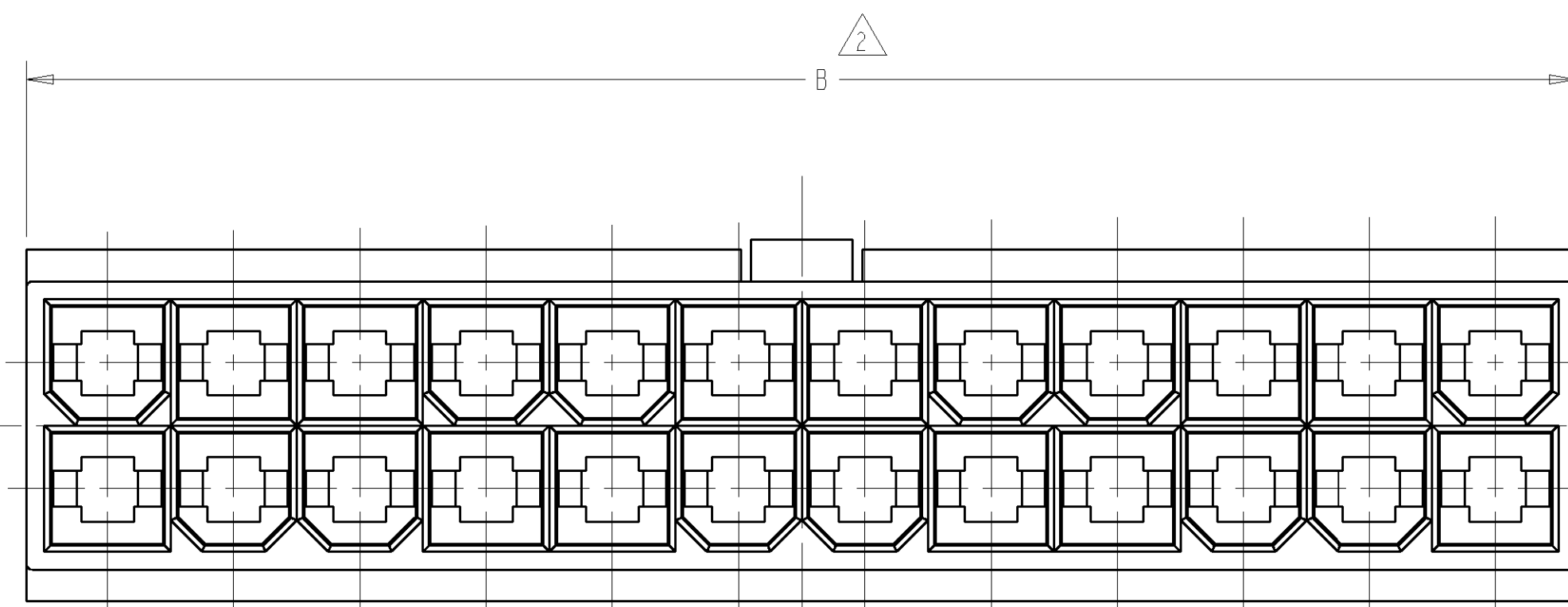
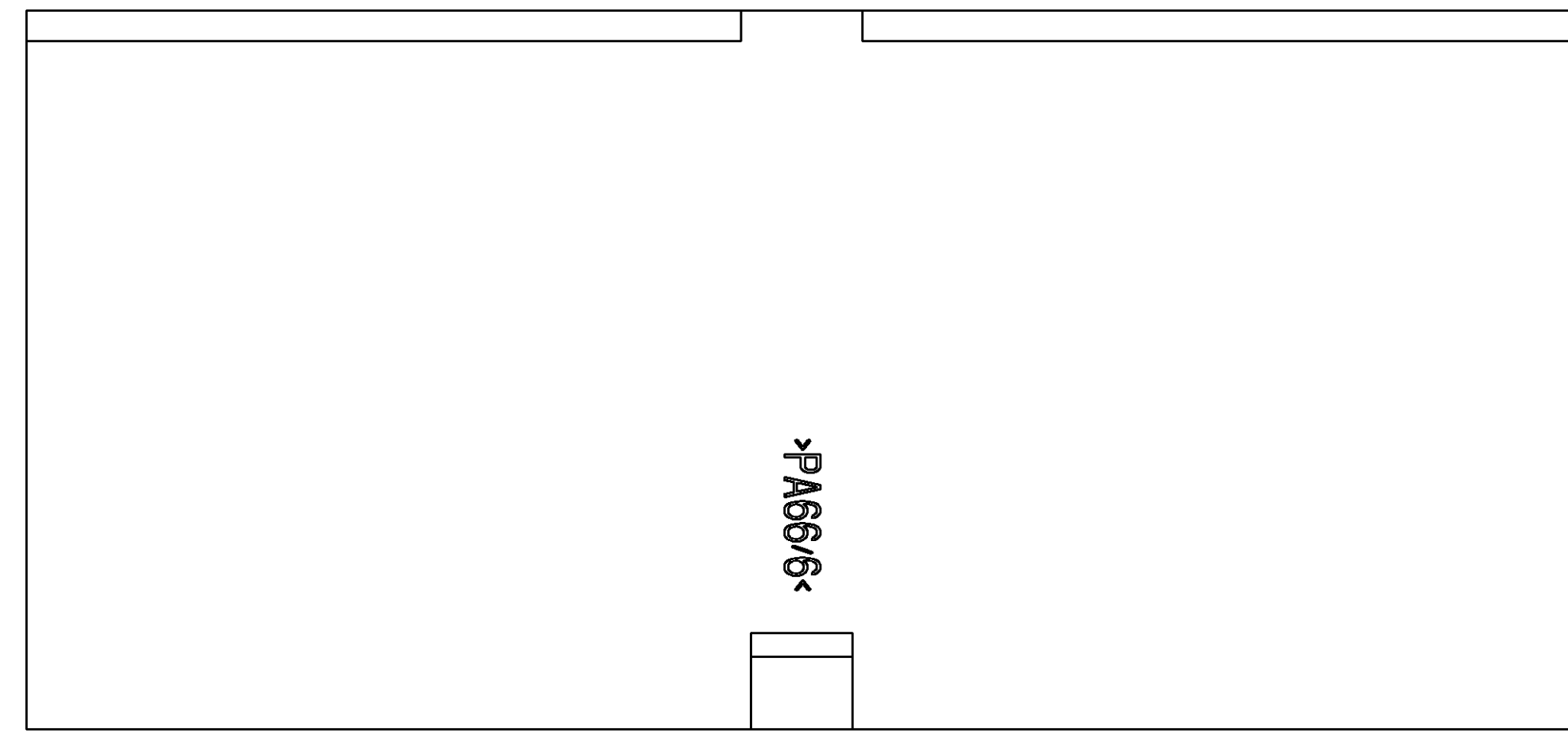
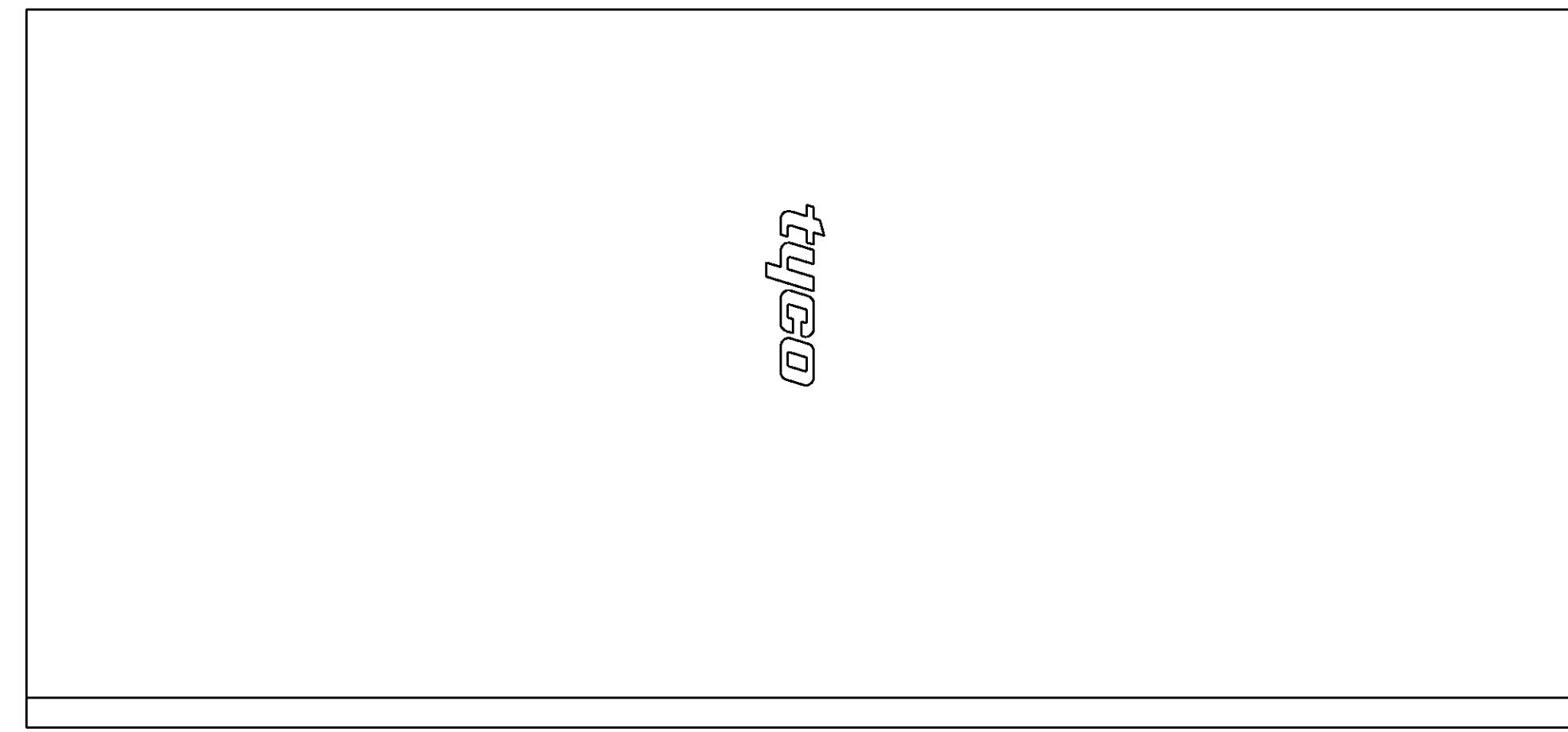


LOC	DIST	REVISIONS			
P	LTR	DESCRIPTION	DATE	DWN	APVD
B		REVISED PER 0638-0761-04	11-OCT-04	SH	DC



- 1 NYLON, UL94V-0, NATURAL (WHITE).
- 2 DIMENSION TO BE CHECKED AT SURFACE A.
- 3. DIMENSIONS IN BRACKETS ARE IN INCHES.
- 4. MALE CONTACTS MUST BE INSERTED SO THAT THE TOP OF THE WIRE AND INSULATION CRIMPS ARE FACING THE SIDE OF THE HOUSING WITH THE LOCKING LATCH.



51.6[2.032]	24	2-794594-4
47.4[1.866]	22	2-794594-2
43.2[1.701]	20	2-794594-0
39[1.535]	18	1-794594-8
34.8[1.370]	16	1-794594-6
30.6[1.205]	14	1-794594-4
26.4[1.039]	12	1-794594-2
22.2[0.874]	10	1-794594-0
18[0.709]	8	794594-8
13.8[0.543]	6	794594-6
9.6[0.378]	4	794594-4
5.4[0.213]	2	794594-2
B	NO. OF POSITIONS	PART NUMBER

DIMENSIONS: mm [INCHES]		TOLERANCES UNLESS OTHERWISE SPECIFIED: 0 PLC ± 1 PLC ± 2 PLC ± 3 PLC ± 4 PLC ± ANGLES ±		DWN S. HOOVER 11-OCT-2004 ENR D. COLEY 11-OCT-2004 APVD D. COLEY 11-OCT-2004		tyco AMP Incorporated Harrisburg, PA 17105-3608	
MATERIAL:		FINISH:		PRODUCT SPEC:		NAME:	
METRIC		40° 30'		APPLICATION SPEC:		PLUG, FREE HANGING, 2 TO 24 POSITION, AMP-DUAC™ POWER CONNECTOR	
WEIGHT:		CUSTOMER DRAWING		SIZE:		RESTRICTED TO:	
SCALE: 4:1		SHEET 1 OF 1		REV B		DATE: 11-OCT-2004	

X-ON Electronics

Largest Supplier of Electrical and Electronic Components

Click to view similar products for [Headers & Wire Housings](#) category:

Click to view products by [TE Connectivity](#) manufacturer:

Other Similar products are found below :

[892-18-020-10-001101](#) [58102-G61-06LF](#) [582553-1](#) [0009485154](#) [009176003701906](#) [0050291907](#) [LY20-4P-DT1-P1E-BR](#) [02.125.8002.8](#)
[609-3404](#) [61062-3](#) [61082-181009](#) [622-3653LF](#) [63453-116](#) [636-1030](#) [636-1427](#) [636-3427](#) [636-4007](#) [641938-9](#) [641991-4](#) [644827-2](#) [65817-](#)
[010LF](#) [65817-015LF](#) [65863-015LF](#) [66207-023LF](#) [67095-007LF](#) [67601157](#) [68645-018](#) [68648-049](#) [70.362.1628.0](#) [70-4210](#) [70-4226B](#) [70-](#)
[4853B](#) [707-5020](#) [707-5028](#) [71.350.2428.0](#) [71918-208LF](#) [71961-016LF](#) [733-134](#) [733-162](#) [754199-000](#) [760-3052](#) [79531-3000](#) [FCN-](#)
[360C032-B](#) [FCN-367T-T012/H](#) [FCN-723D010/2](#) [80.063.4001.1](#) [800-90-010-10-002000](#) [801-43-002-10-013000](#) [801-43-006-10-002000](#)
[801-93-011-10-001000](#)