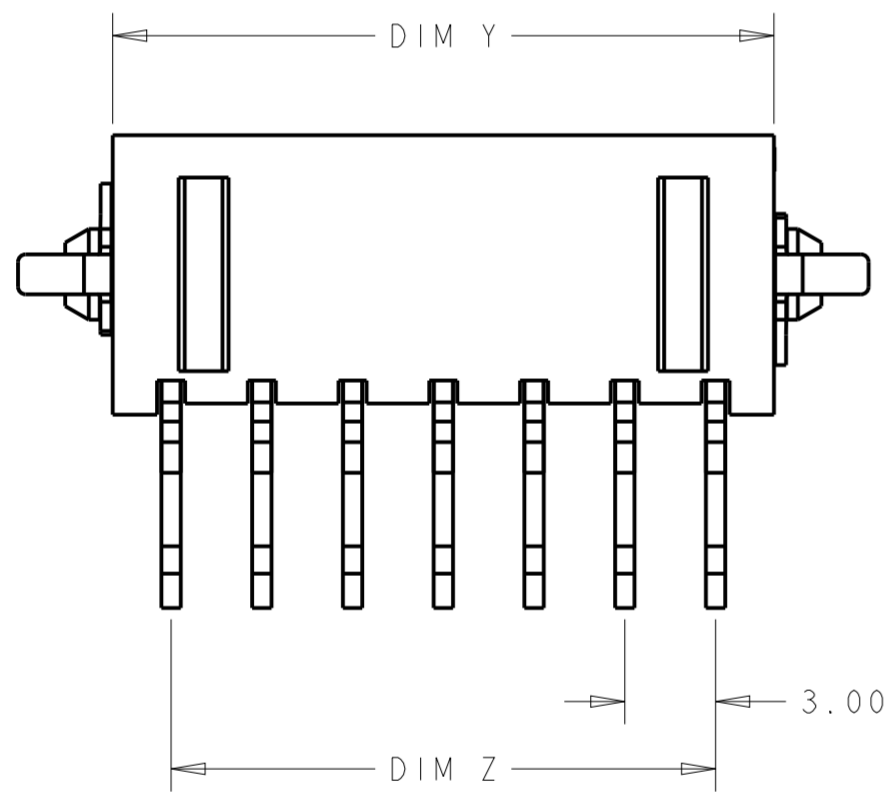
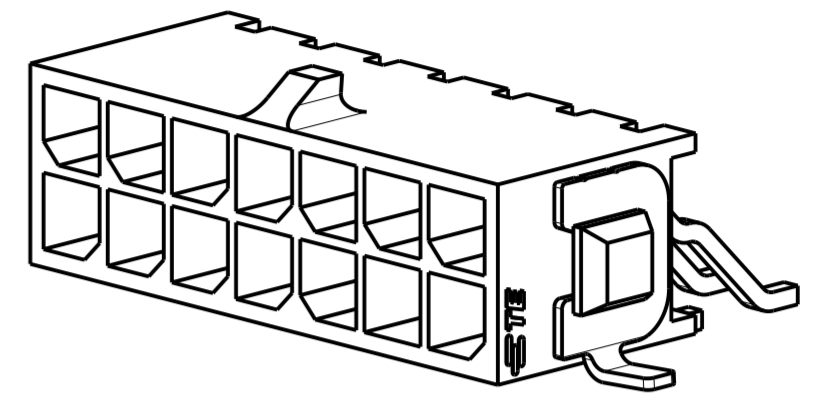
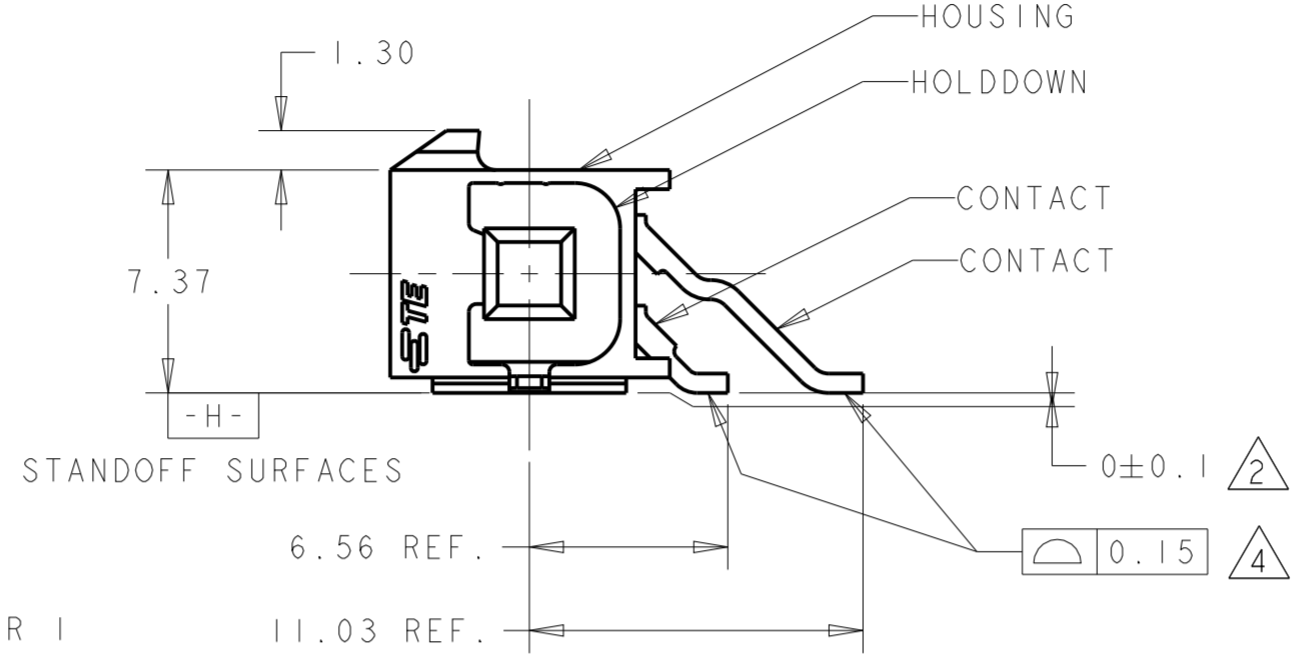
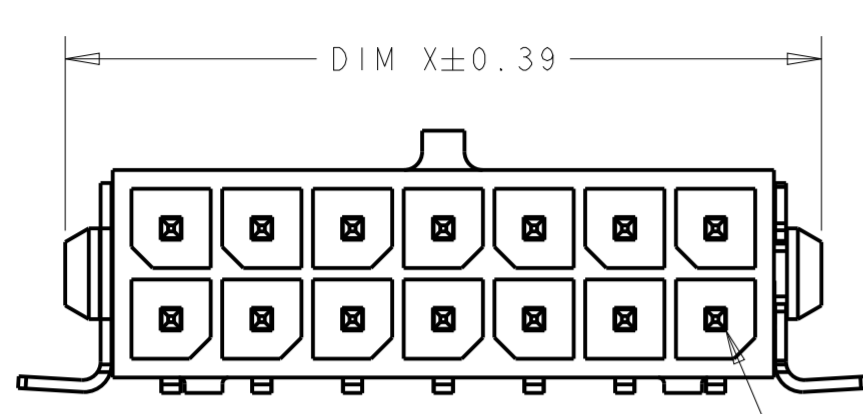


THIS DRAWING IS UNPUBLISHED. RELEASED FOR PUBLICATION 20
 © COPYRIGHT 20 BY - ALL RIGHTS RESERVED.

REVISIONS					
P	LTR	DESCRIPTION	DATE	DWN	APVD
	H5	REVISED PER ECN-21-100661	25MAR2021	WLS	VS



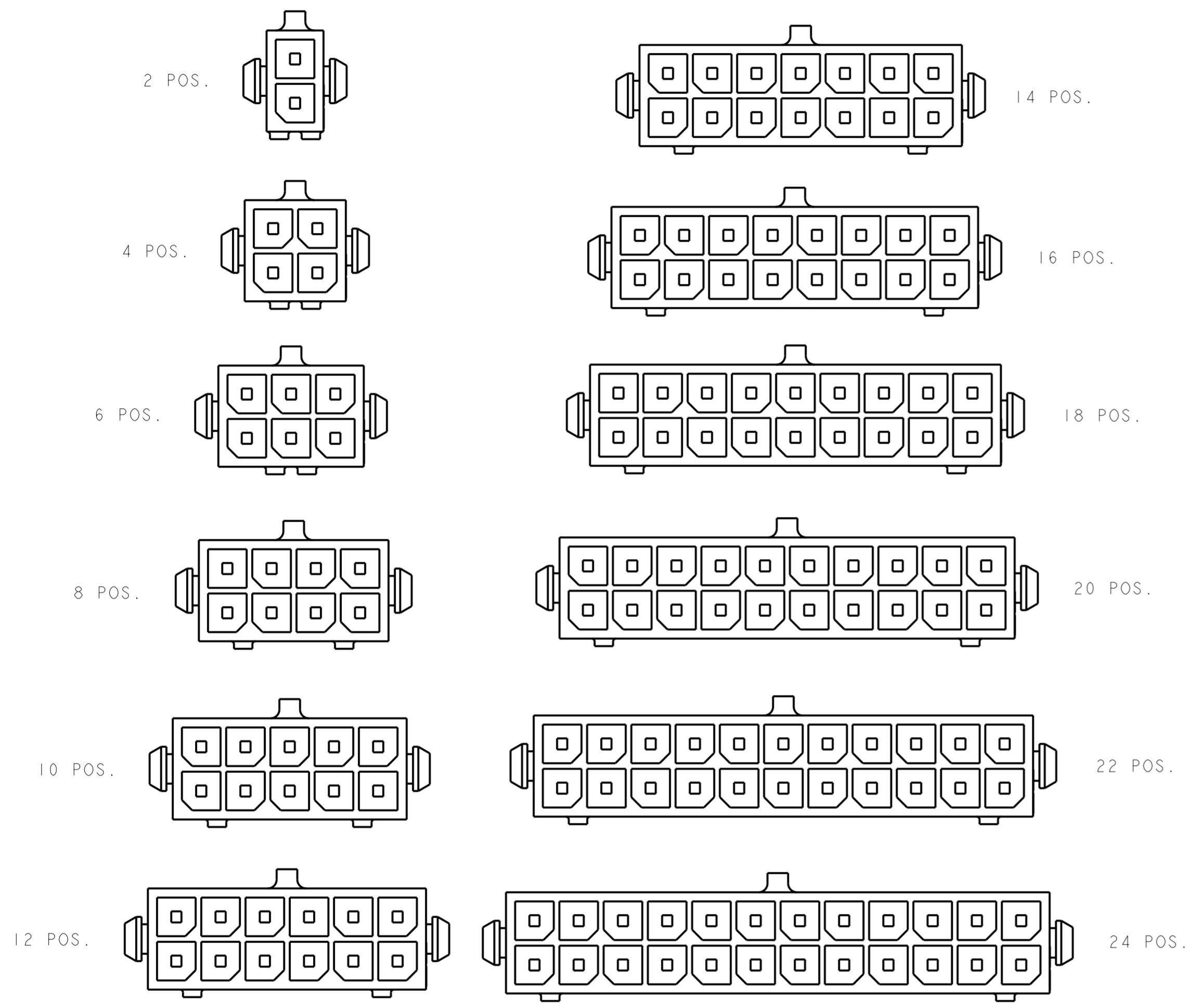
- ① MATERIAL;
HOUSING - UL 94V-0 RATED HIGH TEMP NYLON, COLOR BLACK.
CONTACTS - BRASS.
HOLDDOWNS - PHOSPHOR BRONZE.
- ② DIMENSION APPLIES TO SOLDER TAIL SURFACES AND STANDOFF SURFACES.
- ③ RECOMMENDED PC BOARD THICKNESS OF 1.57.
- ④ ALL SOLDER TAILS AND HOLDDOWNS.
- ⑤ PLATING;
CONTACTS - 0.76µm MINIMUM GOLD ON MATING AREA.
2.54µm MINIMUM MATTE TIN ON SOLDER TAIL.
ALL OVER 1.27µm MINIMUM NICKEL.
HOLDDOWNS - 2.54µm MINIMUM MATTE TIN OVER 1.27µm MINIMUM NICKEL.
- ⑥ SPECIAL PACKAGING : 1 PLASTIC BAG PER REEL, ALL REELS INTO THE BOX.
- 7 COUNTERPART RECOMMENDED IS PN 794617 (DASH ACCORDING TO NUMBER OF POSITION).
- 8 FOR REELING DIRECTION AND PACKAGING TYPE, SEE SPECIFICATION 114-13000.

18.86	22.79	15.00	22.00	12	7-794629-2	⑥
12.86	16.79	9.00	16.00	8	6-794629-8	
6.86	10.79	3.00	10.00	4	6-794629-4	
36.86	40.79	33.00	40.00	24	5-794629-4	
33.86	37.79	30.00	37.00	22	5-794629-2	
30.86	34.79	27.00	34.00	20	5-794629-0	
27.86	31.79	24.00	31.00	18	4-794629-8	
24.86	28.79	21.00	28.00	16	4-794629-6	
21.86	25.79	18.00	25.00	14	4-794629-4	
18.86	22.79	15.00	22.00	12	4-794629-2	
15.86	19.79	12.00	19.00	10	4-794629-0	
12.86	16.79	9.00	16.00	8	3-794629-8	
9.86	13.79	6.00	13.00	6	3-794629-6	
6.86	10.79	3.00	10.00	4	3-794629-4	
3.86	7.79	-	7.00	2	3-794629-2	
DIM Y	DIM W	DIM Z	DIM X	NO. OF POSN.	PART NUMBER	

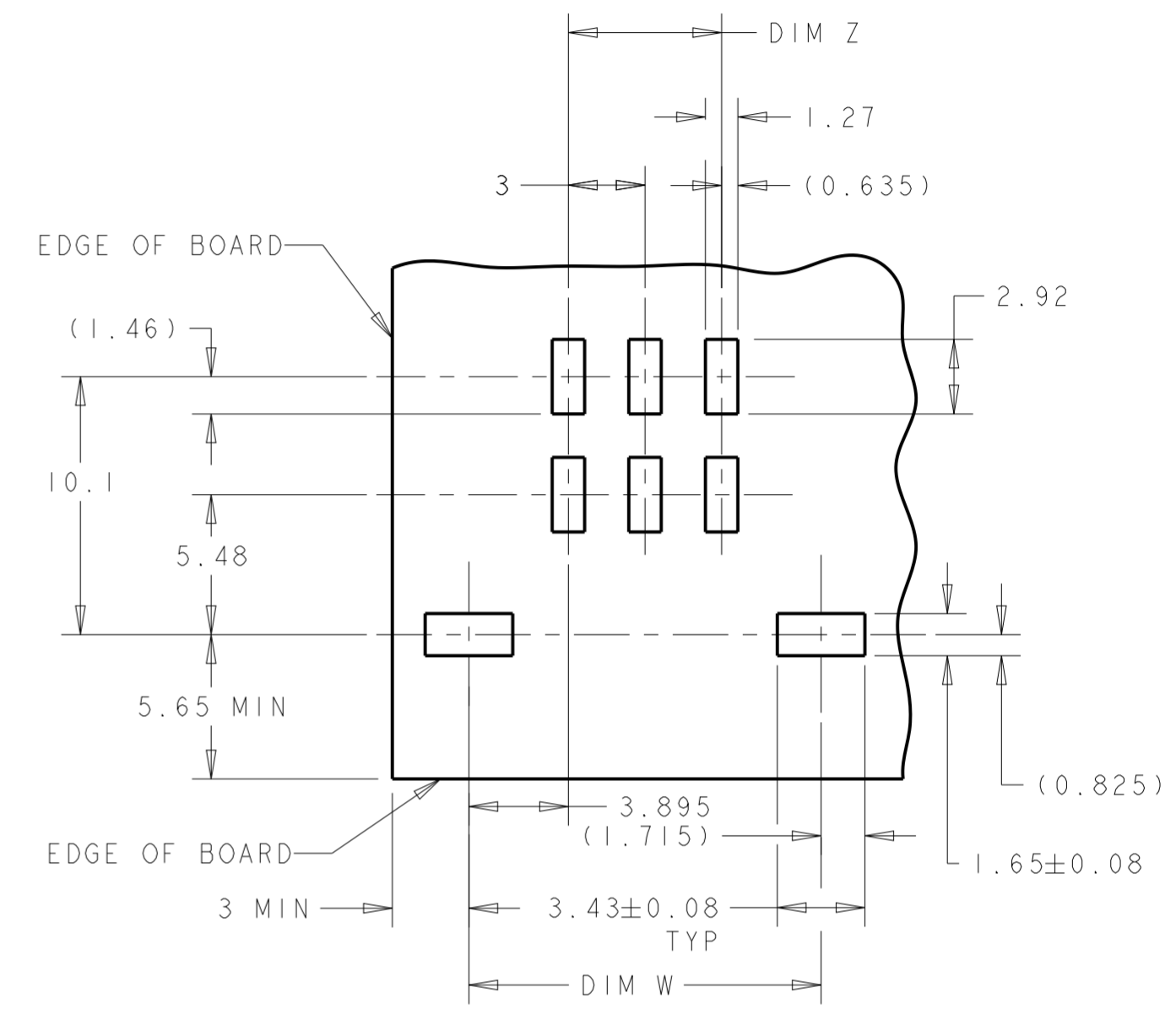
THIS DRAWING IS A CONTROLLED DOCUMENT.		DWN K. WHITAKER 19MAR2003	TE Connectivity	
DIMENSIONS: mm		CHK C. JONES 19MAR2003		
TOLERANCES UNLESS OTHERWISE SPECIFIED:		APVD C. JONES 19MAR2003	NAME SURFACE MOUNT, RIGHT ANGLE, SURFACE MOUNT HOLDDOWN, ASSEMBLY, 30 GOLD HEADER, DUAL ROW, MICRO MATE-N-LOK™	
0 PLC ± 1 PLC ± 2 PLC ±0.13 3 PLC ± 4 PLC ± ANGLES ±1° FINISH		PRODUCT SPEC 108-1836	SIZE A20779	
MATERIAL		APPLICATION SPEC 114-13000	DRAWING NO C-794629	
①		WEIGHT -	RESTRICTED TO -	
⑤		CUSTOMER DRAWING	SCALE 4:1 SHEET 1 OF 2 REV H5	

THIS DRAWING IS UNPUBLISHED. RELEASED FOR PUBLICATION 20
 © COPYRIGHT 20 BY - ALL RIGHTS RESERVED.

REVISIONS				
P	LTR	DESCRIPTION	DATE	APVD
-	-	SEE SHEET 1	-	-



KEYING BY POSITION SIZE



RECOMMENDED PCB LAYOUT (COMPONENT SIDE) 3

THIS DRAWING IS A CONTROLLED DOCUMENT.		DWN K. WHITAKER 19MAR2003	STE TE Connectivity													
DIMENSIONS: mm		CHK C. JONES 19MAR2003														
TOLERANCES UNLESS OTHERWISE SPECIFIED:		APVD C. JONES 19MAR2003														
<table border="0"> <tr> <td>0 PLC</td><td>±</td></tr> <tr> <td>1 PLC</td><td>±</td></tr> <tr> <td>2 PLC</td><td>±0.13</td></tr> <tr> <td>3 PLC</td><td>±</td></tr> <tr> <td>4 PLC</td><td>±</td></tr> <tr> <td>ANGLES</td><td>±1°</td></tr> <tr> <td>FINISH</td><td>-</td></tr> </table>		0 PLC		±	1 PLC	±	2 PLC	±0.13	3 PLC	±	4 PLC	±	ANGLES	±1°	FINISH	-
0 PLC	±															
1 PLC	±															
2 PLC	±0.13															
3 PLC	±															
4 PLC	±															
ANGLES	±1°															
FINISH	-															
MATERIAL	-	APPLICATION SPEC 114-13000	NAME SURFACE MOUNT, RIGHT ANGLE, SURFACE MOUNT HOLDDOWN, ASSEMBLY, 30 GOLD HEADER, DUAL ROW, MICRO MATE-N-LOK													
-		WEIGHT -	SIZE A200779													
-		CUSTOMER DRAWING	DRAWING NO G-794629													
-		SCALE 4:1	RESTRICTED TO -													
-		SHEET 2 OF 2	REV H5													

X-ON Electronics

Largest Supplier of Electrical and Electronic Components

Click to view similar products for [Pin & Socket Connectors](#) category:

Click to view products by [TE Connectivity](#) manufacturer:

Other Similar products are found below :

[6450822-1](#) [770392-1](#) [794042-1](#) [796885-1](#) [8-794535-1](#) [PLR3455ACS-222](#) [R929991004](#) [R929993003](#) [1403611-1](#) [1-480349-5](#) [152302-5](#)
[153211-2](#) [1586092-1](#) [1586129-1](#) [1586681-4](#) [1586700-1](#) [1586368-1](#) [1586380-1](#) [1586616-1](#) [1586680-5](#) [16-06-0038](#) [164164-5](#) [1-6609930-1](#)
[172296-1](#) [19-09-2035](#) [200503-1](#) [200788-2](#) [2029090-4](#) [2029095-4](#) [925061-7](#) [293734-4](#) [293737-2](#) [1-765362-4](#) [1-794606-3](#) [1871534-1](#)
[200833-4](#) [2008625-2](#) [2029027-2](#) [2029096-4](#) [R929991000](#) [R929991002](#) [R929993000](#) [319-10-101-00-005000](#) [319-10-102-00-001000](#)
[319-10-104-00-001000](#) [319-10-105-00-001000](#) [319-10-108-00-001000](#) [319-10-112-00-006000](#) [39-01-8019](#) [319-10-101-00-001000](#)