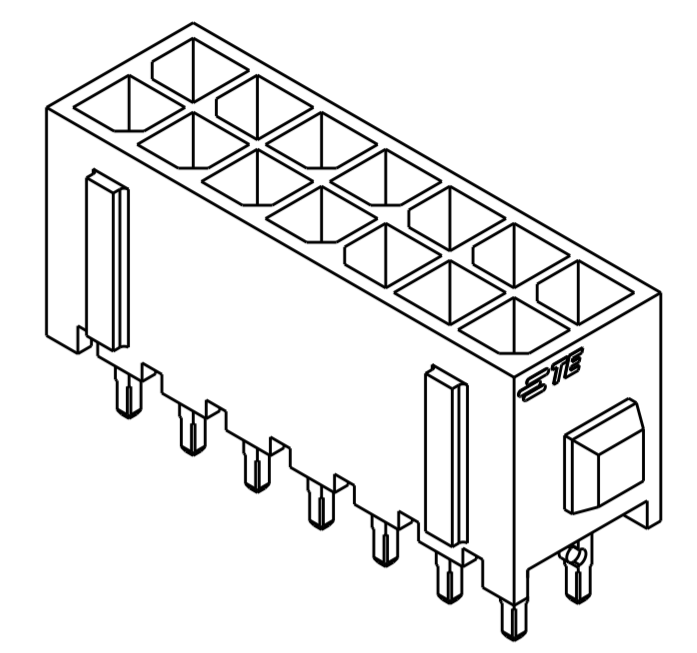
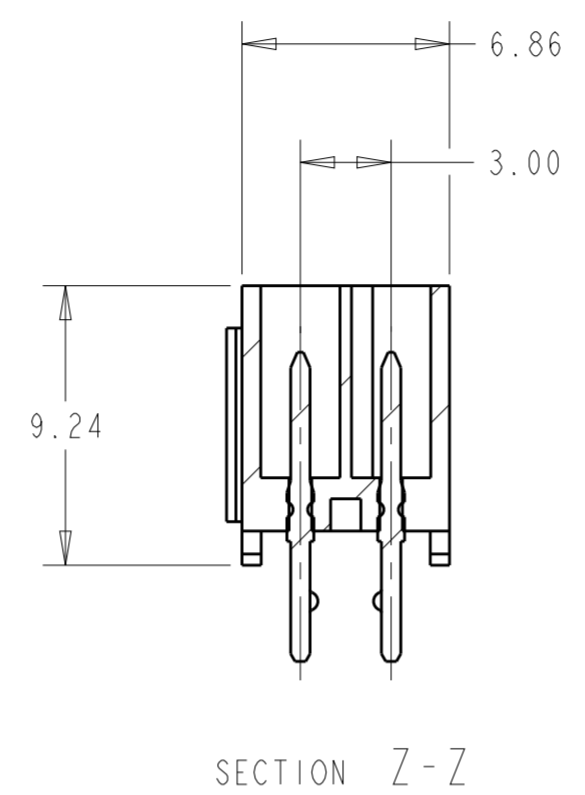
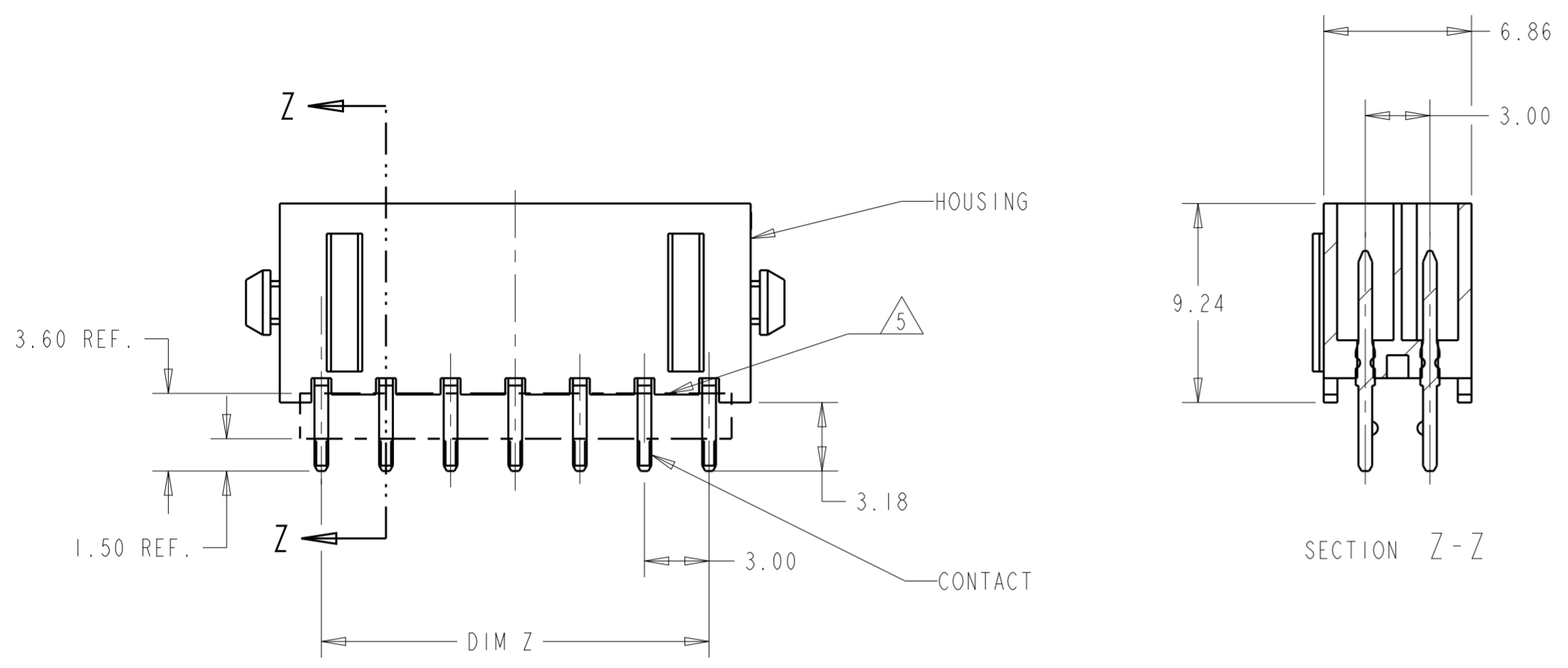
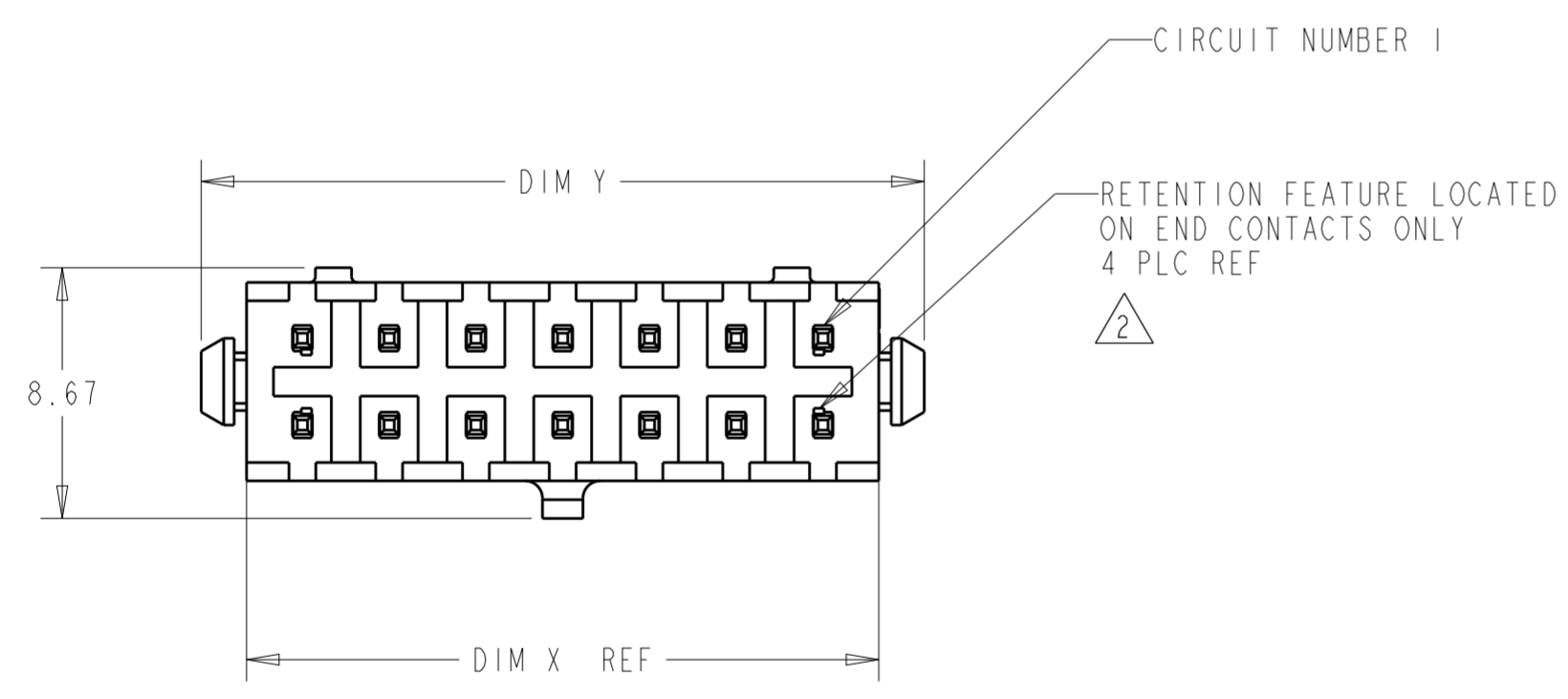


THIS DRAWING IS UNPUBLISHED. RELEASED FOR PUBLICATION
 © COPYRIGHT 20 BY - ALL RIGHTS RESERVED.

REVISIONS				
P	LTR	DESCRIPTION	DATE	APVD
E1		REVISED PER ECR-16-011494	21JUN2017	NK CX
E2		REVISED PER ECO-19-002679	20FEB2019	WLS WLS
E3		ECO-19-006502	29APR2019	AP WS
E4		REVISED PER ECN-20-100750	10DEC2020	WLS VS



- 1 MATERIAL: HOUSING - UL 94V-0 RATED HIGH TEMP., NYLON, COLOR BLACK.
CONTACT - BRASS.
- 2 MAXIMUM INSERTION 30 LBS.
- 3 RECOMMENDED BOARD THICKNESS 1.57.
- 4 FINISHING: 0.76µm MINIMUM GOLD ON MATING AREA.
2.54µm MINIMUM MATTE TIN ON SOLDER TAILS.
ALL OVER 1.27µm MINIMUM NICKEL.
- 5 CUTTING AREA REGION, NO PLATING IS PRESENT.
- 6 COUNTERPART RECOMMENDED IS PN 794617 (DASH ACCORDING TO NUMBER OF POSITION).
- 7 FOR REELING DIRECTION AND PACKAGING TYPE, SEE SPECIFICATION 114-13000.

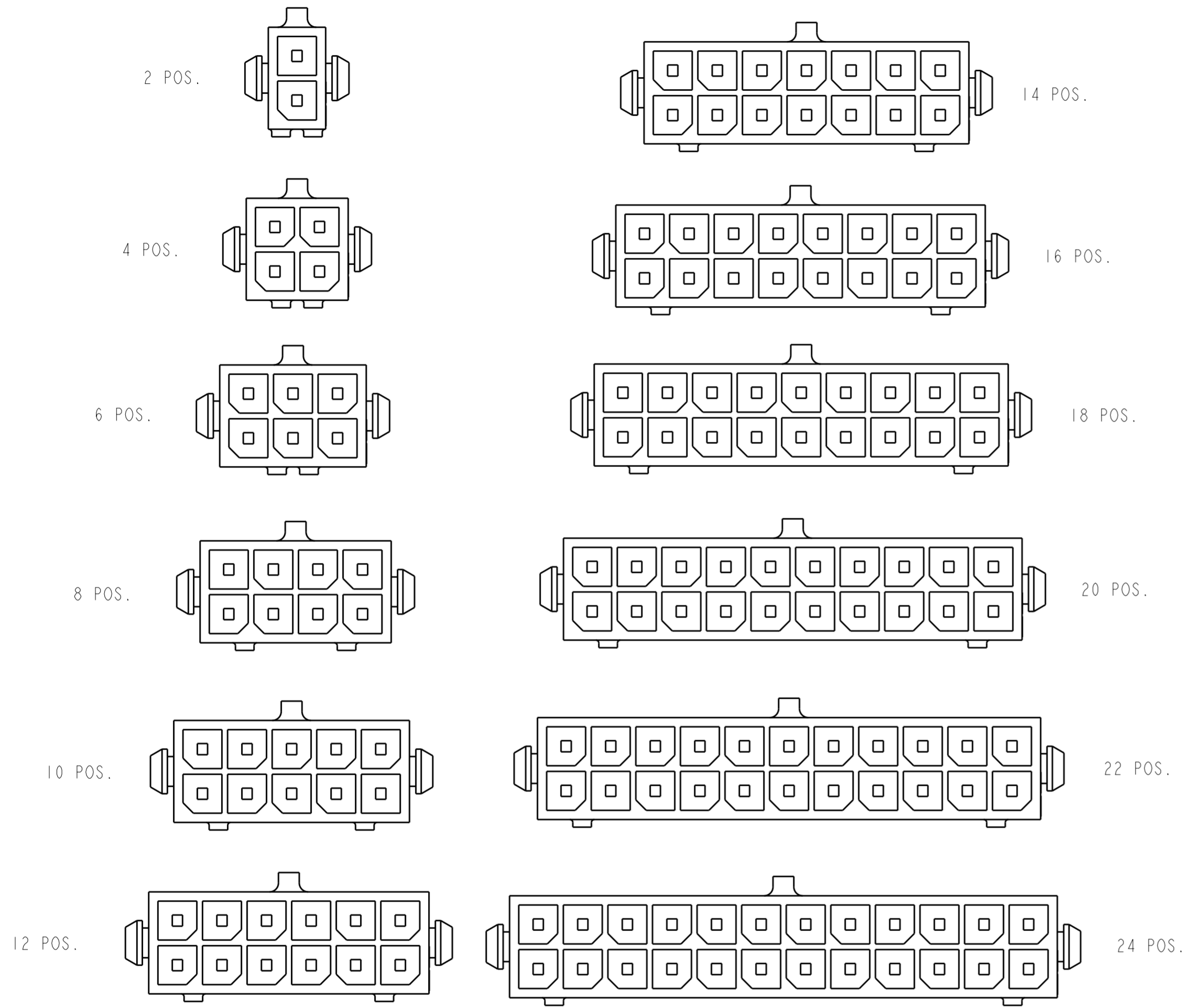


16.00	9.00	12.86	8	6-794632-8
40.00	33.00	36.86	24	5-794632-4
37.00	30.00	33.86	22	5-794632-2
34.00	27.00	30.86	20	5-794632-0
31.00	24.00	27.86	18	4-794632-8
28.00	21.00	24.86	16	4-794632-6
25.00	18.00	21.86	14	4-794632-4
22.00	15.00	18.86	12	4-794632-2
19.00	12.00	15.86	10	4-794632-0
16.00	9.00	12.86	8	3-794632-8
13.00	6.00	9.86	6	3-794632-6
10.00	3.00	6.86	4	3-794632-4
7.00	-	3.86	2	3-794632-2
DIM Y	DIM Z	DIM X	NO. OF POSN.	PART NUMBER

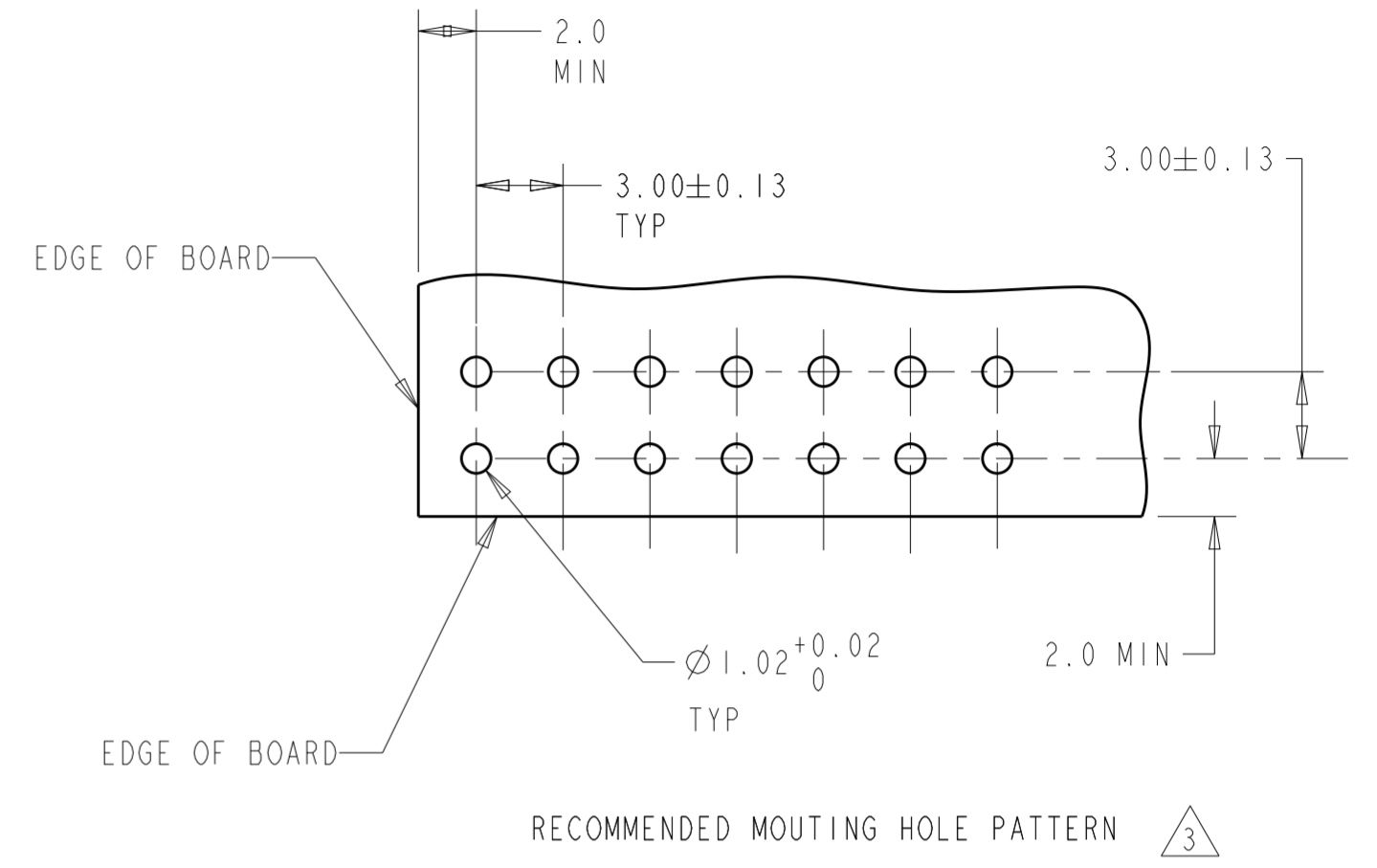
THIS DRAWING IS A CONTROLLED DOCUMENT.		DWN B. HAYMAKER 16AUG99	TE Connectivity		
DIMENSIONS: mm [INCHES]		CHK K. COBLE 16AUG99			
TOLERANCES UNLESS OTHERWISE SPECIFIED:		APVD K. COBLE 16AUG99	NAME VERTICAL HEADER ASSEMBLY, THRU HOLE, 30 GOLD, DUAL ROW, MICRO MATE-N-LOK™		
0 PLC ± 1 PLC ± 2 PLC ±0.20 [.008] 3 PLC ± 4 PLC ± ANGLES ±1° FINISH		PRODUCT SPEC 108-1836 APPLICATION SPEC 114-13000 WEIGHT -	SIZE A2	CAGE CODE 00779	DRAWING NO. G-794632
MATERIAL 1		CUSTOMER DRAWING		RESTRICTED TO	
		SCALE 4:1		SHEET 1 OF 2	
				REV E4	

THIS DRAWING IS UNPUBLISHED. RELEASED FOR PUBLICATION
 © COPYRIGHT 20 BY - ALL RIGHTS RESERVED.

REVISIONS				
P	LTR	DESCRIPTION	DATE	APVD
-		SEE SHEET 1	-	-



KEYING BY POSITION SIZE



THIS DRAWING IS A CONTROLLED DOCUMENT.		DWN B. HAYMAKER 16AUG99	TE Connectivity															
DIMENSIONS: mm [INCHES]		CHK K. COBLE 16AUG99																
TOLERANCES UNLESS OTHERWISE SPECIFIED:		APVD K. COBLE 16AUG99	NAME VERTICAL HEADER ASSEMBLY, THRU HOLE, 30 GOLD, DUAL ROW, MICRO MATE-N-LOK															
<table border="0"> <tr> <td>0 PLC</td> <td>±-</td> </tr> <tr> <td>1 PLC</td> <td>±-</td> </tr> <tr> <td>2 PLC</td> <td>±0.20 [.008]</td> </tr> <tr> <td>3 PLC</td> <td>±-</td> </tr> <tr> <td>4 PLC</td> <td>±-</td> </tr> <tr> <td>ANGLES</td> <td>±-</td> </tr> <tr> <td>FINISH</td> <td>-</td> </tr> </table>		0 PLC	±-	1 PLC	±-	2 PLC	±0.20 [.008]	3 PLC	±-	4 PLC	±-	ANGLES	±-	FINISH	-	PRODUCT SPEC 108-1836	SIZE CAGE CODE DRAWING NO RESTRICTED TO	
0 PLC	±-																	
1 PLC	±-																	
2 PLC	±0.20 [.008]																	
3 PLC	±-																	
4 PLC	±-																	
ANGLES	±-																	
FINISH	-																	
MATERIAL		APPLICATION SPEC 114-13000	A2 00779 C-794632															
		WEIGHT	CUSTOMER DRAWING SCALE 4:1 SHEET 2 OF 2 REV E4															

X-ON Electronics

Largest Supplier of Electrical and Electronic Components

Click to view similar products for [Pin & Socket Connectors](#) category:

Click to view products by [TE Connectivity](#) manufacturer:

Other Similar products are found below :

[6450822-1](#) [770392-1](#) [794042-1](#) [796885-1](#) [8-794535-1](#) [881459-2](#) [R929993003](#) [1-350779-3](#) [1403611-1](#) [1-480349-5](#) [1586092-1](#) [1586129-1](#)
[1586487-1](#) [1586681-4](#) [1586700-1](#) [1586065-1](#) [1586077-1](#) [1586368-1](#) [1586380-1](#) [1586680-5](#) [1586681-2](#) [1604996-1](#) [16-06-0038](#) [164164-5](#) [1-](#)
[6609930-1](#) [172296-1](#) [1-794714-6](#) [19-09-2035](#) [1969804-1](#) [200503-1](#) [200788-2](#) [201046-7](#) [202648-4](#) [2029076-2](#) [2029090-4](#) [2029095-4](#) [2-](#)
[66102-6](#) [925061-7](#) [926681-1](#) [293734-4](#) [293737-2](#) [1-765362-4](#) [1-794606-3](#) [1871534-1](#) [1969795-1](#) [1969798-1](#) [1969800-1](#) [200833-4](#)
[2008625-2](#) [2029027-2](#)