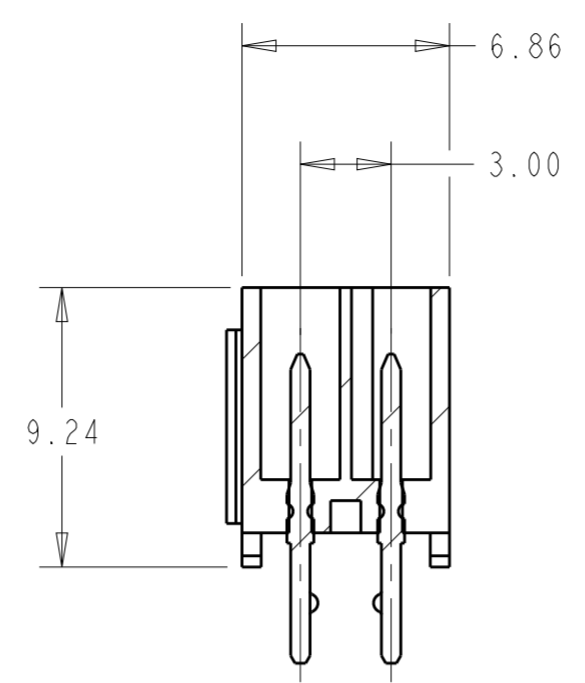
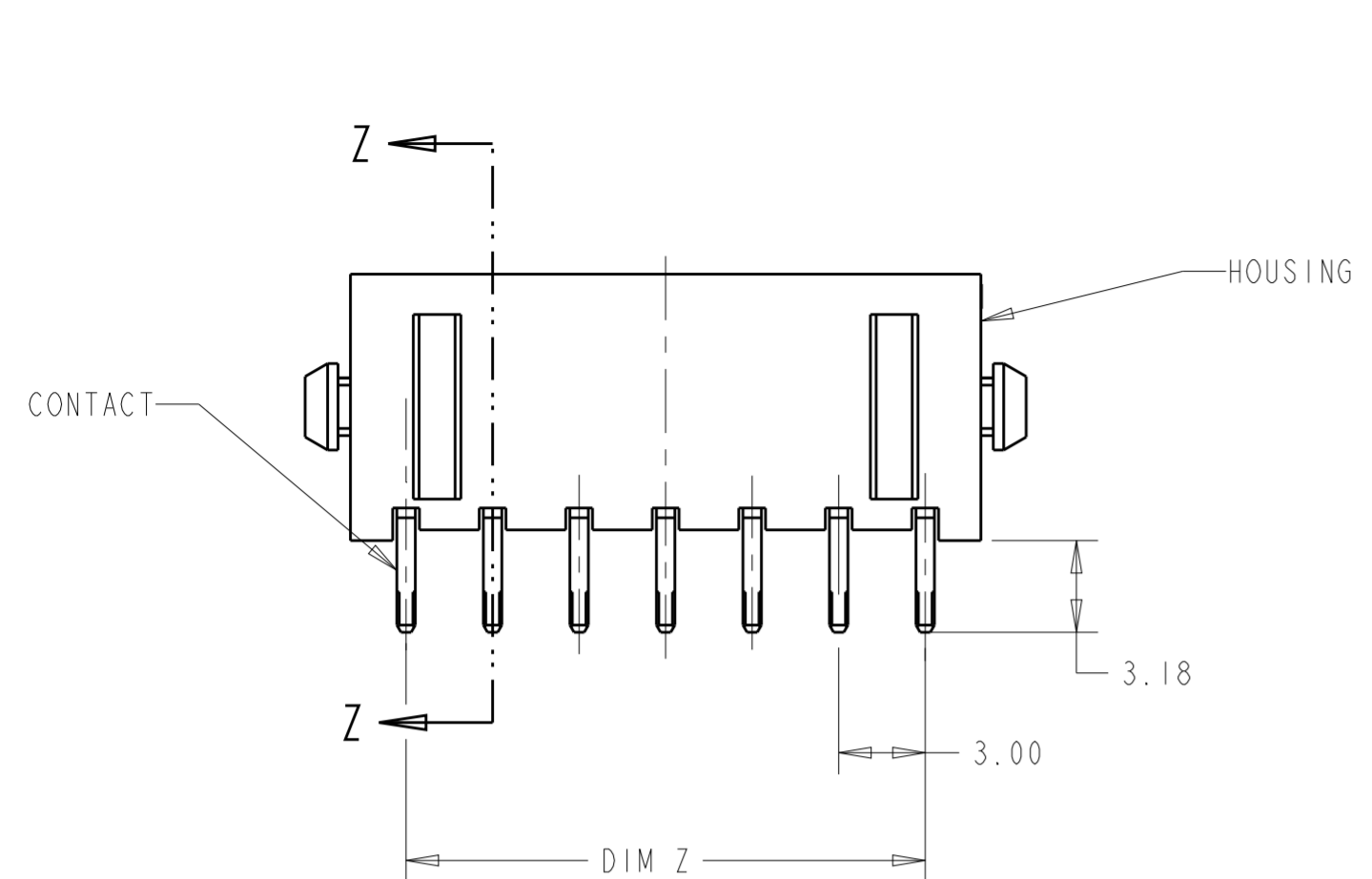
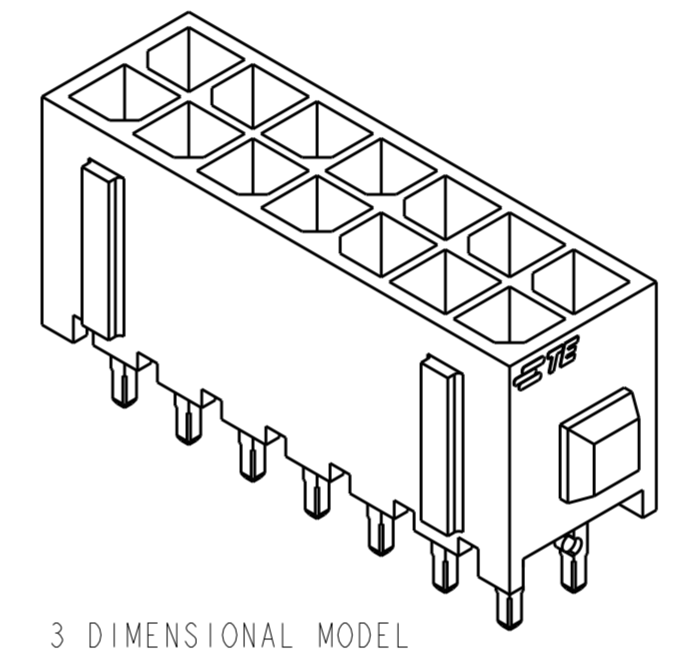
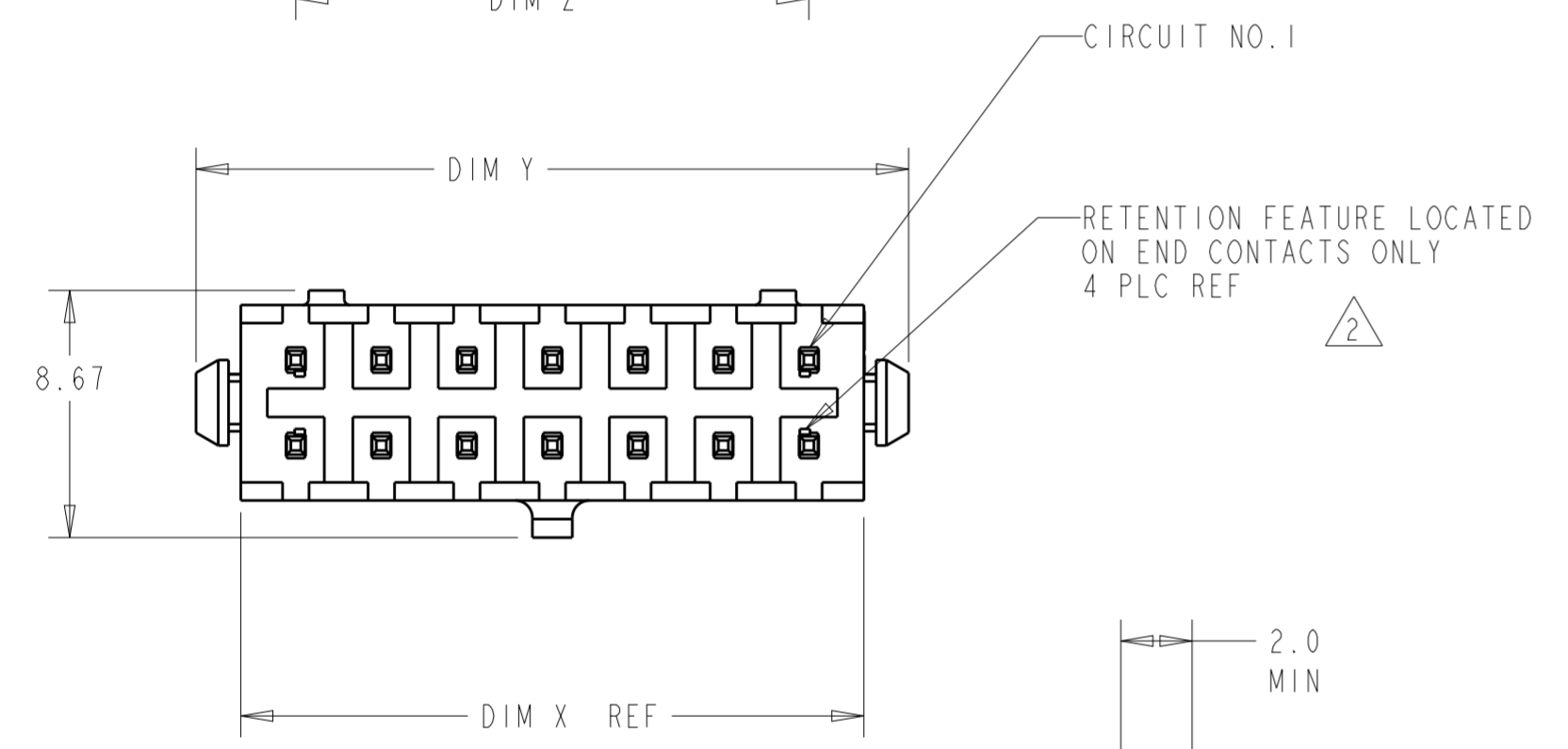


THIS DRAWING IS UNPUBLISHED. RELEASED FOR PUBLICATION
 © COPYRIGHT 20 BY - ALL RIGHTS RESERVED.

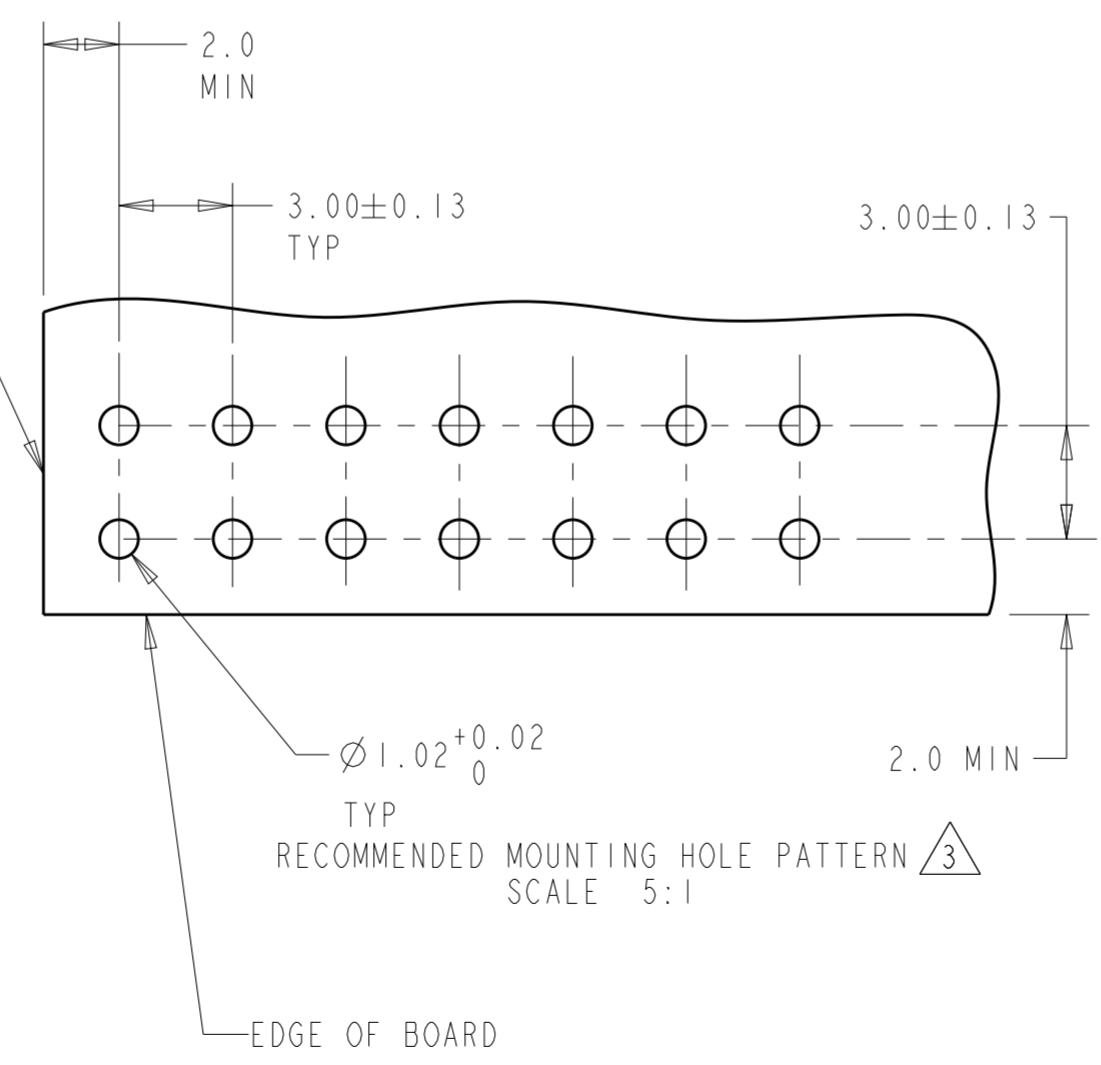
REVISIONS					
P	LTR	DESCRIPTION	DATE	DWN	APVD
E1		REVISED PER ECR-16-011494	21JUN2017	NK	CX
E2		REVISED PER ECO-19-002679	20FEB2019	WLS	WLS
E3		ECO-19-006502	29APR2019	AP	WS



SECTION Z-Z



3 DIMENSIONAL MODEL



- 1 MATERIAL: HOUSING - NYLON, UL 94V-0, BLACK.
CONTACT - BRASS.
0.000762 MINIMUM GOLD OVER 0.00254
MINIMUM NICKEL ON MATING AREA. 0.00254
TIN-LEAD MINIMUM OVER 0.00254 NICKEL
MINIMUM ON SOLDER TAILS.
- 2 MAXIMUM INSERTION 20 LBS.
- 3 RECOMMENDED BOARD THICKNESS 1.57.
- 4 MATERIAL: HOUSING - NYLON, UL 94V-0, BLACK.
CONTACT - BRASS.
0.000762 MINIMUM GOLD OVER 0.00254
MINIMUM NICKEL ON MATING AREA. 0.00254
MATTE TIN MINIMUM OVER 0.00254 NICKEL
MINIMUM ON SOLDER TAILS.
- 5 PACKING TYPE: TRAY.
- 6 PACKING TYPE: TAPE & REEL.

6	4	16.00	9.00	12.86	8	6-794632-8			
5	4	40.00	33.00	36.86	24	5-794632-4			
5	4	37.00	30.00	33.86	22	5-794632-2			
5	4	34.00	27.00	30.86	20	5-794632-0			
5	4	31.00	24.00	27.86	18	4-794632-8			
5	4	28.00	21.00	24.86	16	4-794632-6			
5	4	25.00	18.00	21.86	14	4-794632-4			
5	4	22.00	15.00	18.86	12	4-794632-2			
5	4	19.00	12.00	15.86	10	4-794632-0			
5	4	16.00	9.00	12.86	8	3-794632-8			
5	4	13.00	6.00	9.86	6	3-794632-6			
5	4	10.00	3.00	6.86	4	3-794632-4			
5	4	7.00	-	3.86	2	3-794632-2			
		SUPERSEDED BY 5-794632-4	-	1	40.00	33.00	36.86	24	2-794632-4
		SUPERSEDED BY 5-794632-2	-	1	37.00	30.00	33.86	22	2-794632-2
		SUPERSEDED BY 5-794632-0	-	1	34.00	27.00	30.86	20	2-794632-0
		SUPERSEDED BY 4-794632-8	-	1	31.00	24.00	27.86	18	1-794632-8
		SUPERSEDED BY 4-794632-6	-	1	28.00	21.00	24.86	16	1-794632-6
		SUPERSEDED BY 4-794632-4	-	1	25.00	18.00	21.86	14	1-794632-4
		SUPERSEDED BY 4-794632-2	-	1	22.00	15.00	18.86	12	1-794632-2
		SUPERSEDED BY 4-794632-0	-	1	19.00	12.00	15.86	10	1-794632-0
		SUPERSEDED BY 3-794632-8	-	1	16.00	9.00	12.86	8	794632-8
		SUPERSEDED BY 3-794632-6	-	1	13.00	6.00	9.86	6	794632-6
		SUPERSEDED BY 3-794632-4	-	1	10.00	3.00	6.86	4	794632-4
		SUPERSEDED BY 3-794632-2	-	1	7.00	-	3.86	2	794632-2
PACKING	FINISH	DIM Y	DIM Z	DIM X	NO. OF POSN.	PART NUMBER			

THIS DRAWING IS A CONTROLLED DOCUMENT.

DIMENSIONS: mm [INCHES]	TOLERANCES UNLESS OTHERWISE SPECIFIED: 0 PLC ± 1 PLC ± 2 PLC ±0.20 [0.008] 3 PLC ± 4 PLC ± ANGLES ± FINISH	DWN B. HAYMAKER 16AUG99 CHK K. COBLE 16AUG99 APVD K. COBLE 16AUG99	TE Connectivity NAME VERTICAL HEADER ASSEMBLY, THRU HOLE, 30 GOLD, DUAL ROW, MICRO MATE-N-LOK™
MATERIAL SEE TABLE	SEE TABLE	PRODUCT SPEC 108-1836 APPLICATION SPEC 114-13000 WEIGHT -	

CUSTOMER DRAWING SCALE 4:1 SHEET 1 OF 1 REV E3

X-ON Electronics

Largest Supplier of Electrical and Electronic Components

Click to view similar products for te connectivity manufacturer:

Other Similar products are found below :

[570416-000](#) [CLTEQ-M81CE-SSRELAY-4-20V](#) [4-1633138-8](#) [D38999/24FJ4AN](#) [4-1195131-0](#) [650069-000](#) [SMD100-2](#) [2EDL4CM](#)
[DTS20W19-11PD-3028](#) [DTS20W19-11PD-3028-LC](#) [DTS20W19-32SD-3028-LC](#) [DTS20W19-32SD-3028](#) [NC6-P104-06](#) [TXR64AB90-](#)
[3616AI](#) [DTS26F21-41HE](#) [DTS26F21-41AE](#) [DTS26F21-41PE-LC](#) [DTS26F21-11SE-3028-LC](#) [D38999/24WF32JE](#) [D38999/24WF32SE-LC](#)
[DTS24W19-32HE](#) [5-2027513-8](#) [D38999/20JB35HA](#) [D38999/24WJ20PA](#) [164-8033-08](#) [D38999/24FF32JE](#) [D38999/24FF32SE-LC](#)
[D38999/24WF32JB](#) [D38999/24WG11HA](#) [D38999/24WG11HN](#) [MS27467T21F11H](#) [DJT16E21-11HA](#) [DTS24F19-32HE](#) [1-532955-3](#)
[DTS20W19-32SA-3028-LC](#) [DTS24F19-11SC-3028-LC](#) [DTS24F19-11SC-3028](#) [DJT14E13-98HB](#) [D38999/20WC8BB](#) [1-330599-5](#)
[DTS24F21-41HN-LC](#) [DTS24F21-41HN](#) [DTS24F21-41AN](#) [DTS24F21-39HN](#) [DTS24F21-41PN-LC](#) [AFD50-10-6SN-1A-LC](#) [DBAS 70-7-0](#)
[SN 090-1A SCC](#) [DJT10F17-26HC](#) [DTS24W19-32HB](#) [ACT20JE99HA](#)