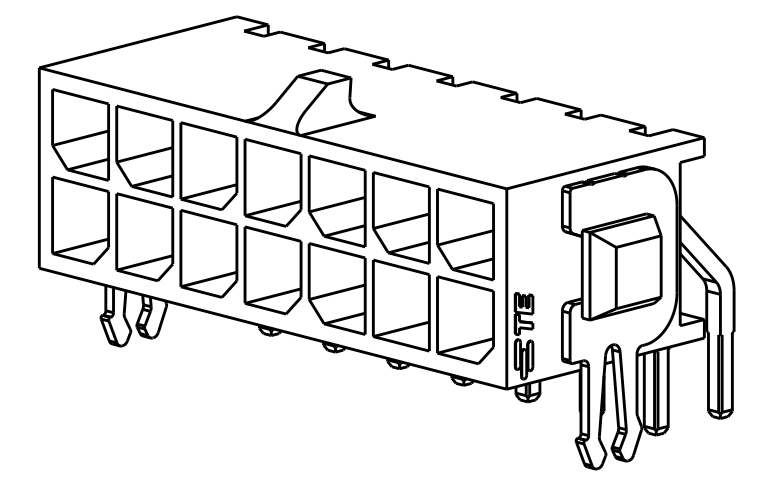
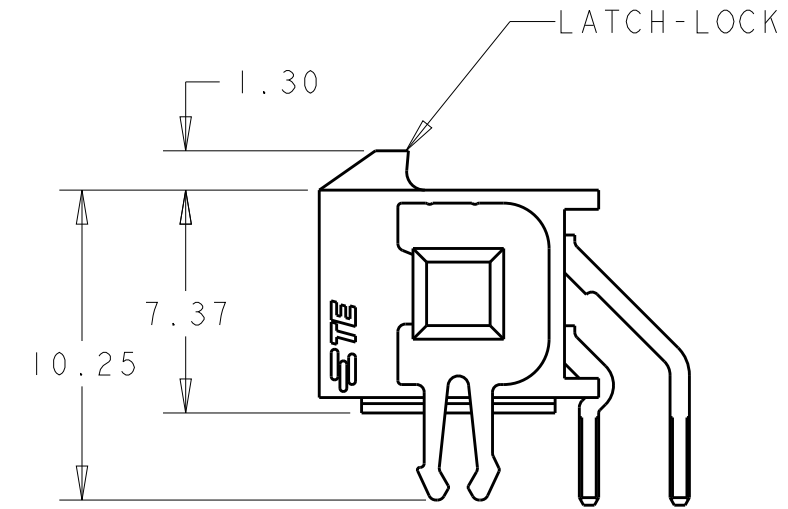
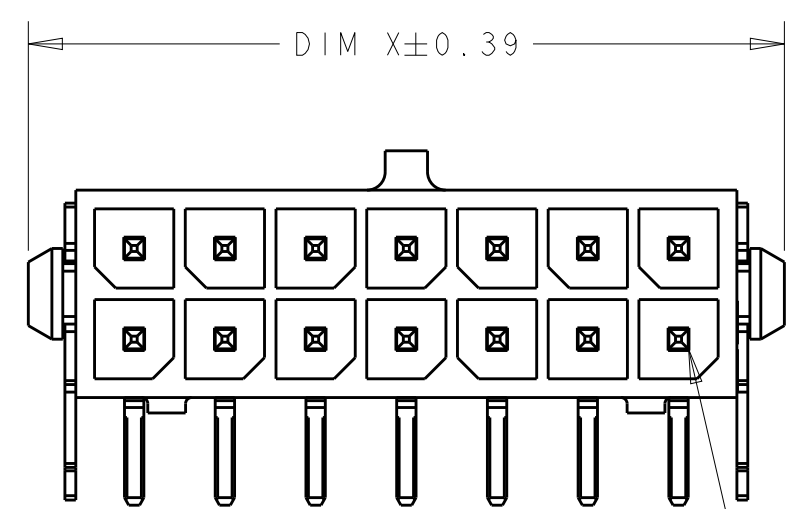
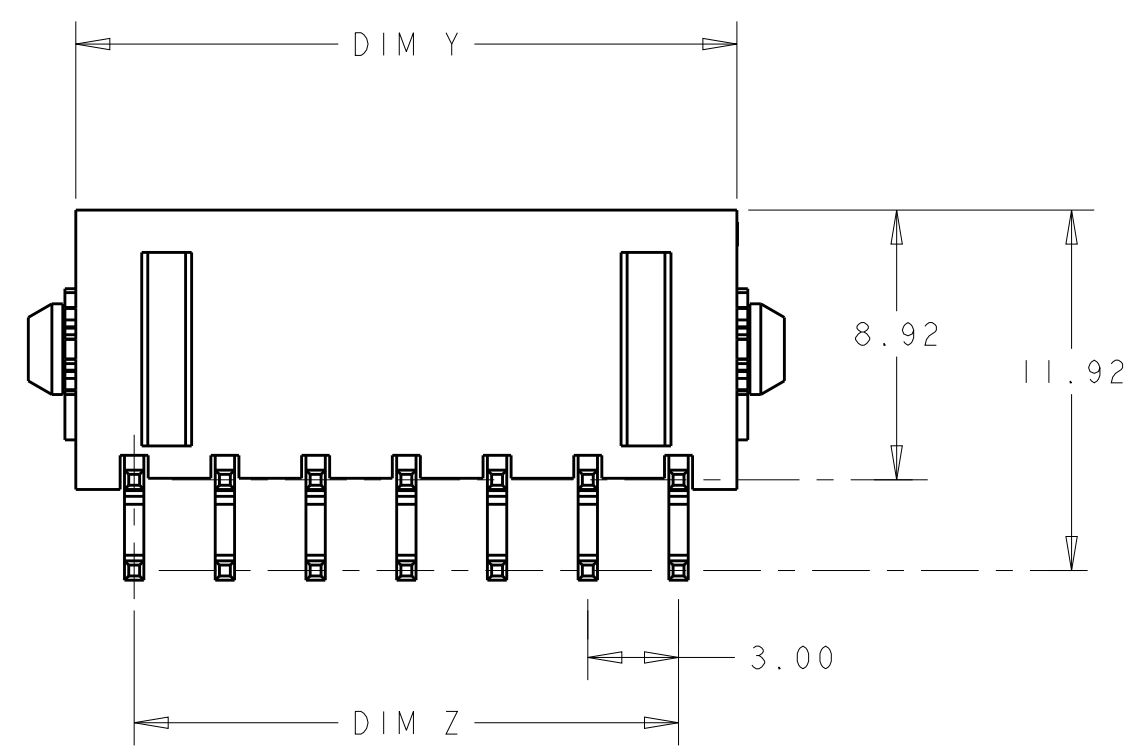


THIS DRAWING IS UNPUBLISHED. RELEASED FOR PUBLICATION 20  
 © COPYRIGHT 20 BY - ALL RIGHTS RESERVED.

REVISIONS					
P	LTR	DESCRIPTION	DATE	DWN	APVD
G1		REVISED PER ECR-16-011494	22JUN2017	NK	CX
G2		ECO-19-006502	30APR2019	AP	WLS
G3		REVISED PER ECN-20-100556	21OCT2020	WLS	VS



- 1 MATERIAL;  
CONTACTS - BRASS.  
HOUSING - UL 94V-0 RATED HIGH TEMP NYLON, COLOR BLACK.
- 2 RECOMMENDED PC BOARD THICKNESS OF 1.57.
- 3 PLATING;  
CONTACTS - 0.76µm MINIMUM GOLD ON MATING AREA.  
2.54µm MINIMUM MATTE TIN ON SOLDER TAILS.  
ALL OVER 1.27µm MINIMUM NICKEL.  
HOLDDOWNS - 2.54µm MATTE TIN OVER 1.27µm MINIMUM NICKEL.
- 4 COUNTERPART RECOMMENDED IS PN 794617 (DASH ACCORDING TO NUMBER OF POSITION).
- 5 FOR REELING DIRECTION AND PACKAGING TYPE, SEE SPECIFICATION 114-13000.

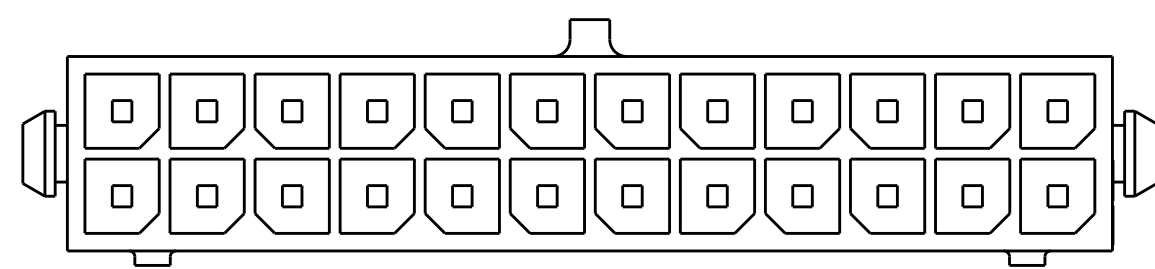
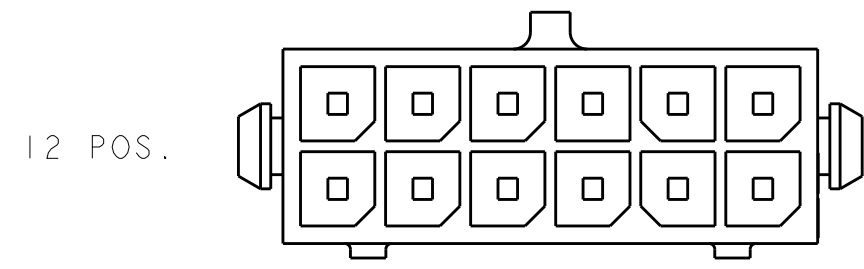
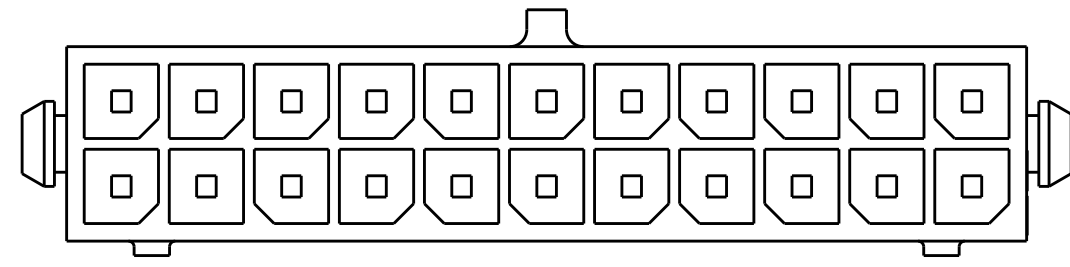
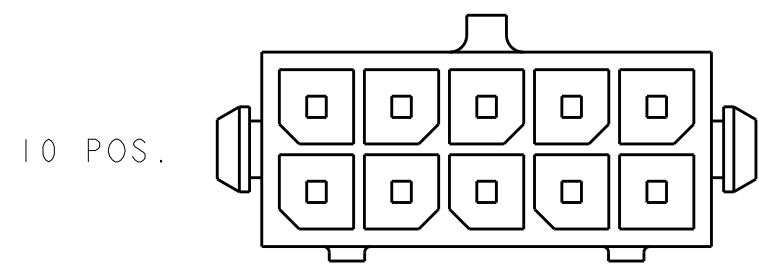
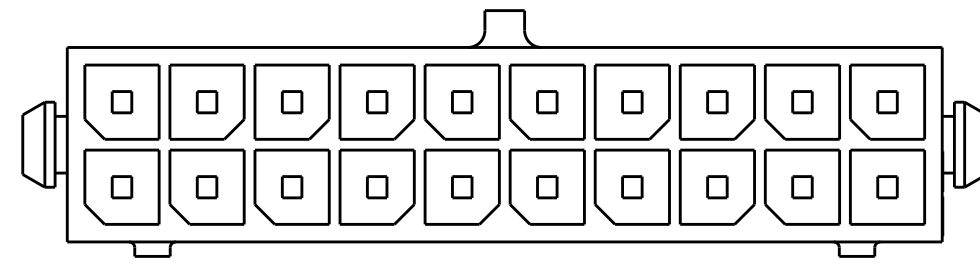
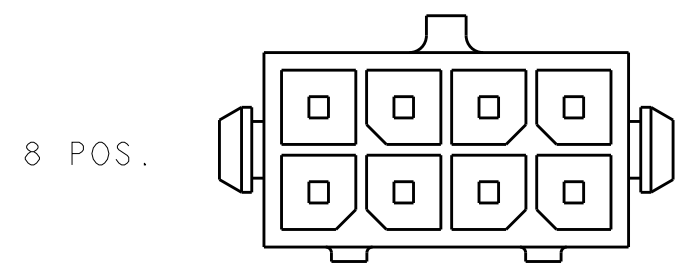
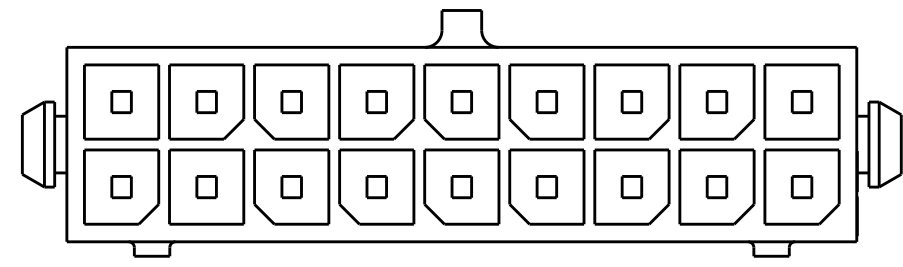
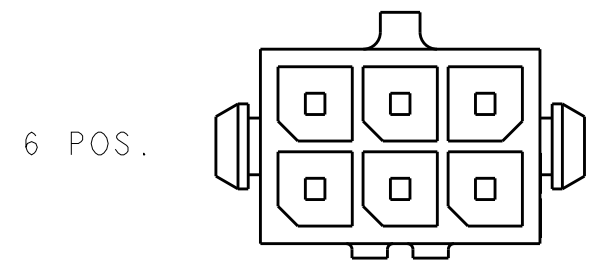
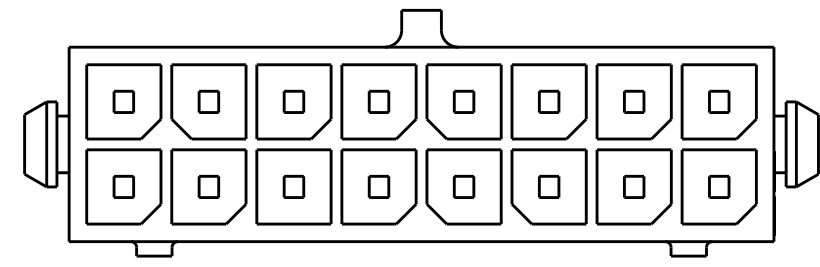
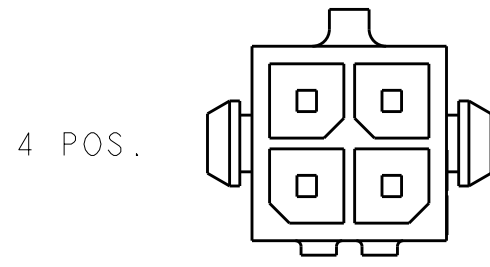
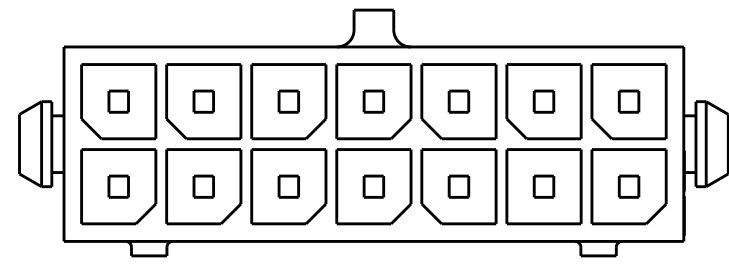
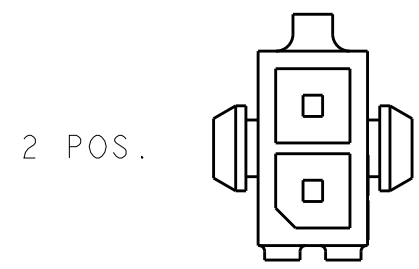


36.86	37.30	33.00	40.00	24	5-794679-4
33.86	34.30	30.00	37.00	22	5-794679-2
30.86	31.30	27.00	34.00	20	5-794679-0
27.86	28.30	24.00	31.00	18	4-794679-8
24.86	25.30	21.00	28.00	16	4-794679-6
21.86	22.30	18.00	25.00	14	4-794679-4
18.86	19.30	15.00	22.00	12	4-794679-2
15.86	16.30	12.00	19.00	10	4-794679-0
12.86	13.30	9.00	16.00	8	3-794679-8
9.86	10.30	6.00	13.00	6	3-794679-6
6.86	7.30	3.00	10.00	4	3-794679-4
3.86	4.30	-	7.00	2	3-794679-2
DIM Y	DIM W	DIM Z	DIM X	NO. OF POSN.	PART NUMBER

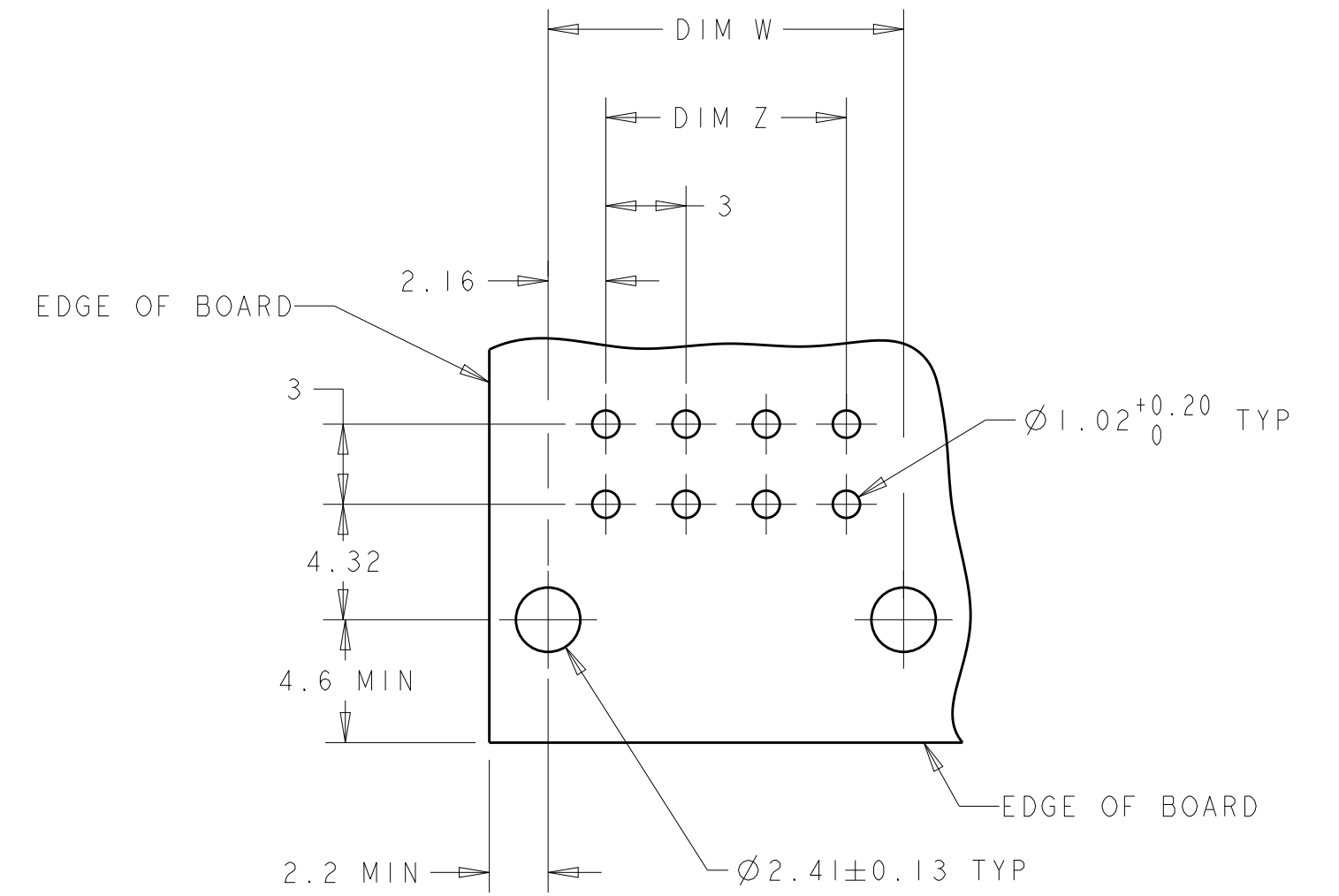
THIS DRAWING IS A CONTROLLED DOCUMENT.		DWN B. HAYMAKER 12AUG99	TE Connectivity		
DIMENSIONS: mm		CHK K. COBLE 12AUG99			
TOLERANCES UNLESS OTHERWISE SPECIFIED:		APVD K. COBLE 12AUG99	NAME THRU-HOLE, RIGHT ANGLE, 30 GOLD HEADER, MECHANICAL BOARDLOCK, DUAL ROW, MICRO MATE-N-LOK™		
0 PLC ± 1 PLC ± 2 PLC ±0.13 3 PLC ± 4 PLC ± ANGLES ±1° FINISH		PRODUCT SPEC 108-1836	SIZE   CAGE CODE   DRAWING NO   RESTRICTED TO		
MATERIAL		APPLICATION SPEC 114-13000	A200779C-794679		
		WEIGHT -	SCALE 4:1   SHEET 1 OF 2   REV G3		
		CUSTOMER DRAWING			

THIS DRAWING IS UNPUBLISHED. RELEASED FOR PUBLICATION 20  
 © COPYRIGHT 20 BY - ALL RIGHTS RESERVED.

REVISIONS				
P	LTR	DESCRIPTION	DATE	APVD
-	-	SEE SHEET 1	-	-



KEYING BY POSITION SIZE



THIS DRAWING IS A CONTROLLED DOCUMENT.		DWN B. HAYMAKER 12AUG99	TE Connectivity
DIMENSIONS: mm		CHK K. COBLE 12AUG99	
TOLERANCES UNLESS OTHERWISE SPECIFIED:		APVD K. COBLE 12AUG99	
0 PLC ± 1 PLC ± 2 PLC ±0.13 3 PLC ± 4 PLC ± ANGLES ±1° FINISH		PRODUCT SPEC 108-1836 APPLICATION SPEC 114-13000 WEIGHT - CUSTOMER DRAWING	
MATERIAL -		NAME THRU-HOLE, RIGHT ANGLE, 30 GOLD HEADER, MECHANICAL BOARDLOCK, DUAL ROW, MICRO MATE-N-LOK	RESTRICTED TO
		SIZE A20779	CAGE CODE G-794679
		SCALE 4:1	SHEET 2 OF 2
			REV G3

## X-ON Electronics

Largest Supplier of Electrical and Electronic Components

*Click to view similar products for [Pin & Socket Connectors](#) category:*

*Click to view products by [TE Connectivity](#) manufacturer:*

Other Similar products are found below :

[6450822-1](#) [770392-1](#) [794042-1](#) [796885-1](#) [8-794535-1](#) [PLR3455ACS-222](#) [R929991004](#) [R929993003](#) [1403611-1](#) [1-480349-5](#) [152302-5](#)  
[153211-2](#) [1586092-1](#) [1586129-1](#) [1586681-4](#) [1586700-1](#) [1586368-1](#) [1586380-1](#) [1586616-1](#) [1586680-5](#) [16-06-0038](#) [164164-5](#) [1-6609930-1](#)  
[172296-1](#) [19-09-2035](#) [200503-1](#) [200788-2](#) [2029090-4](#) [2029095-4](#) [925061-7](#) [293734-4](#) [293737-2](#) [1-765362-4](#) [1871534-1](#) [200833-4](#)  
[2008625-2](#) [2029027-2](#) [2029096-4](#) [R929991000](#) [R929991002](#) [R929993000](#) [319-10-101-00-005000](#) [319-10-102-00-001000](#) [319-10-104-00-001000](#) [319-10-105-00-001000](#) [319-10-108-00-001000](#) [319-10-112-00-006000](#) [39-01-8019](#) [319-10-101-00-001000](#) [319-10-102-00-005000](#)