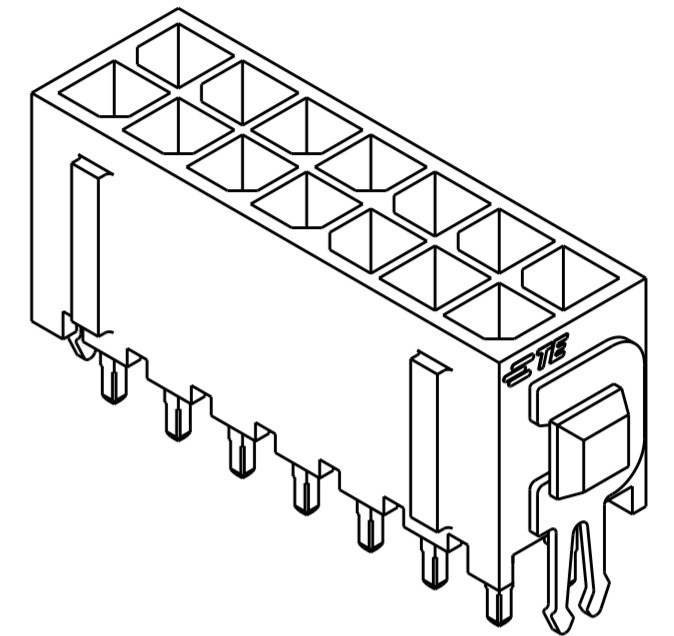
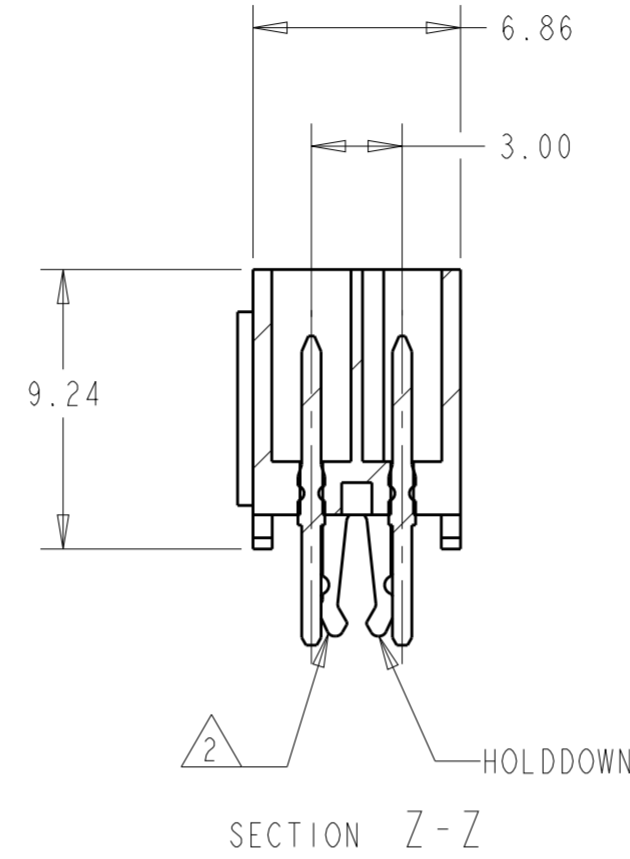
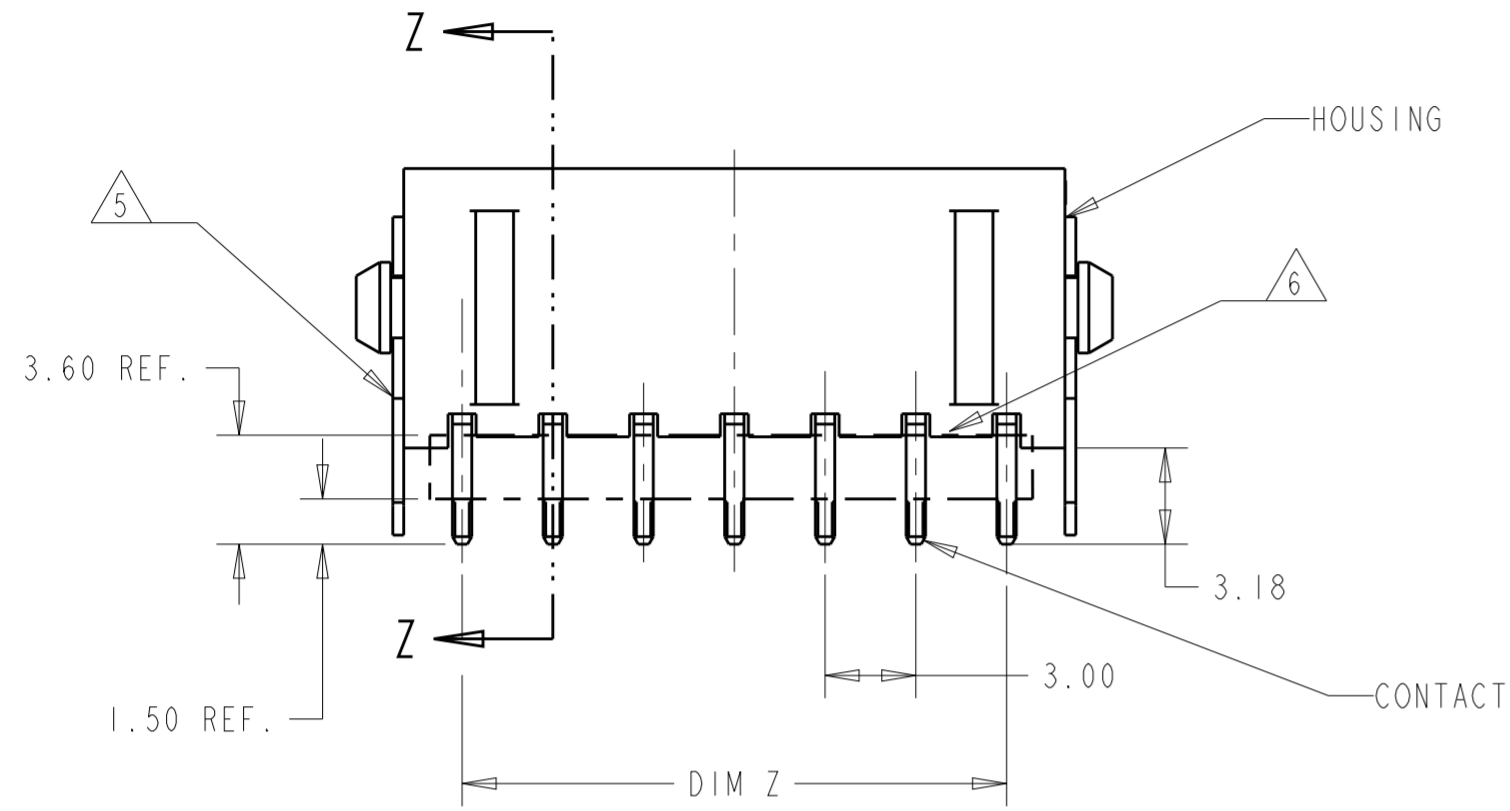
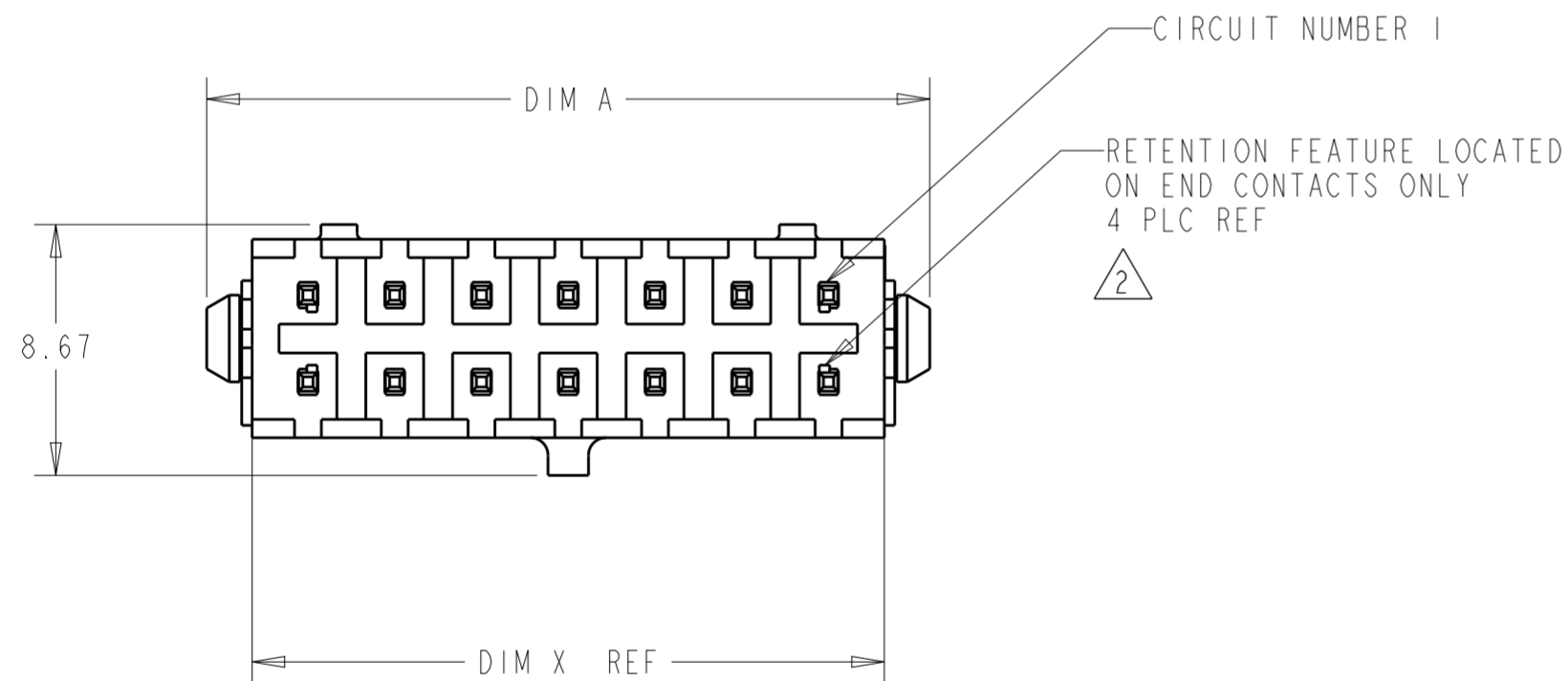


THIS DRAWING IS UNPUBLISHED. RELEASED FOR PUBLICATION 20
 © COPYRIGHT 20 BY - ALL RIGHTS RESERVED.

| REVISIONS | | | | | |
|-----------|-----|---------------------------|-----------|-----|------|
| P | LTR | DESCRIPTION | DATE | DWN | APVD |
| F1 | | REVISED PER ECR-16-011494 | 21JUN2017 | NK | CX |
| F2 | | ECO-19-006502 | 29APR2019 | AP | WLS |
| F3 | | REVISED PER ECO-19-012431 | 09AUG2019 | WLS | DZ |
| F4 | | REVISED PER ECN-20-100556 | 21OCT2020 | WLS | VS |



- 1 MATERIAL: HOUSING - UL 94V-0 RATED HIGH TEMP. NYLON, COLOR BLACK.
CONTACT - BRASS.
HOLD DOWNS - PHOSPHOR BRONZE.
- 2 MAXIMUM INSERTION 30 LBS.
- 3 RECOMMENDED BOARD THICKNESS 1.57.
- 4 FINISH: CONTACT - 2.54µm MINIMUM MATTE TIN OVER 1.27µm MINIMUM NICKEL.
HOLDDOWN - 2.54µm MINIMUM MATTE TIN OVER 1.27µm MINIMUM NICKEL.
- 5 ABSENT COMPONENT IN THIS SIDE ONLY.
- 6 CUTTING AREA REGION, NO PLATING IS PRESENT.
- 7 COUNTERPART RECOMMENDED IS PN 794617 (DASH ACCORDING TO NUMBER OF POSITION).
- 8 FOR REELLING DIRECTION AND PACKAGING TYPE, SEE SPECIFICATION 114-13000.

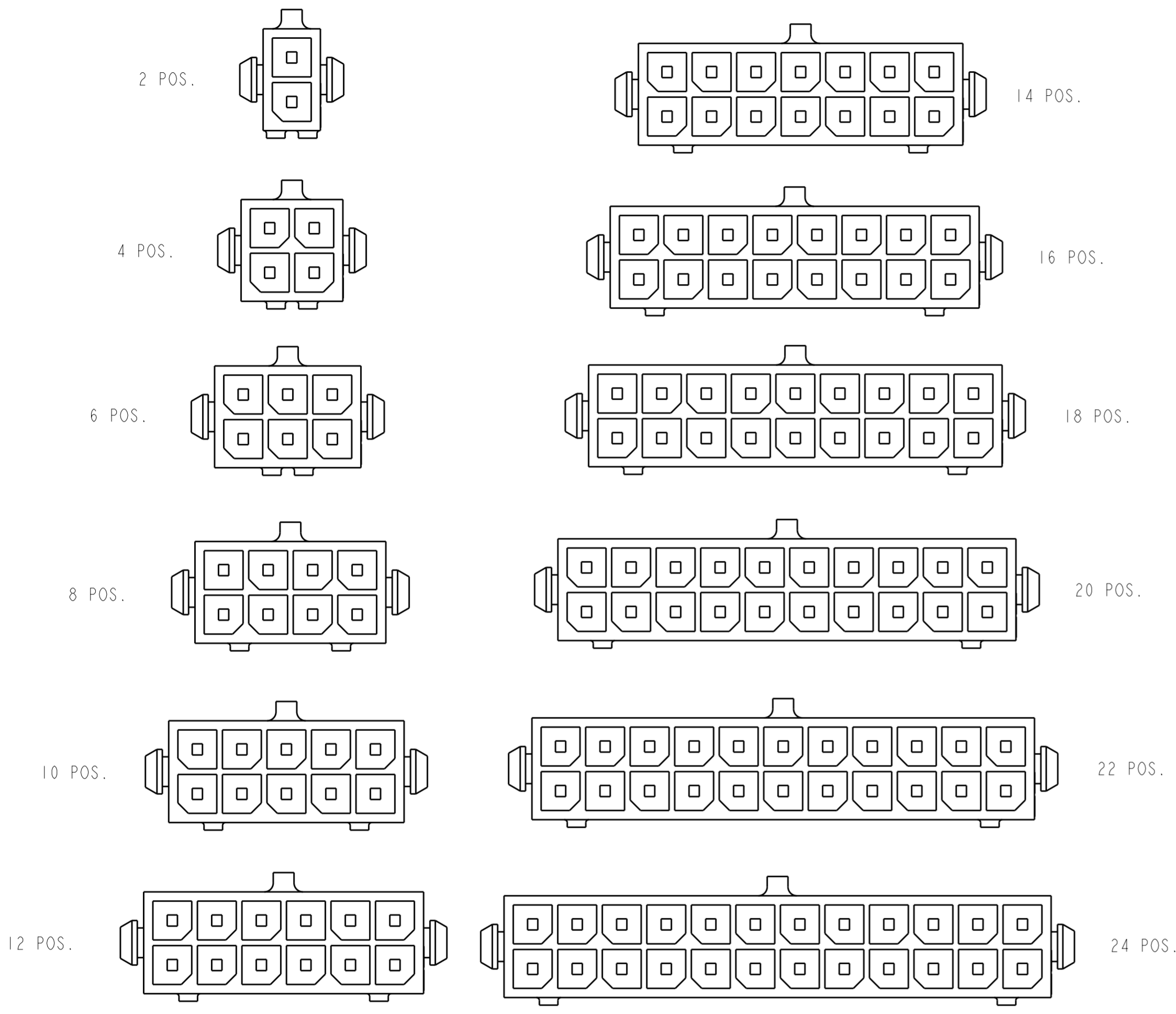


| | | | | | |
|-------|-------|-------|-------|--------------|------------|
| 40.00 | 33.00 | 37.26 | 36.86 | 24 | 5-794680-4 |
| 37.00 | 30.00 | 34.26 | 33.86 | 22 | 5-794680-2 |
| 34.00 | 27.00 | 31.26 | 30.86 | 20 | 5-794680-0 |
| 31.00 | 24.00 | 28.26 | 27.86 | 18 | 4-794680-8 |
| 28.00 | 21.00 | 25.26 | 24.86 | 16 | 4-794680-6 |
| 25.00 | 18.00 | 22.26 | 21.86 | 14 | 4-794680-5 |
| 25.00 | 18.00 | 22.26 | 21.86 | 14 | 4-794680-4 |
| 22.00 | 15.00 | 19.26 | 18.86 | 12 | 4-794680-2 |
| 19.00 | 12.00 | 16.26 | 15.86 | 10 | 4-794680-0 |
| 16.00 | 9.00 | 13.26 | 12.86 | 8 | 3-794680-8 |
| 13.00 | 6.00 | 10.26 | 9.86 | 6 | 3-794680-6 |
| 10.00 | 3.00 | 7.26 | 6.86 | 4 | 3-794680-4 |
| 7.00 | - | 4.26 | 3.86 | 2 | 3-794680-2 |
| DIM A | DIM Z | DIM Y | DIM X | NO. OF POSN. | ASSEMBLY |

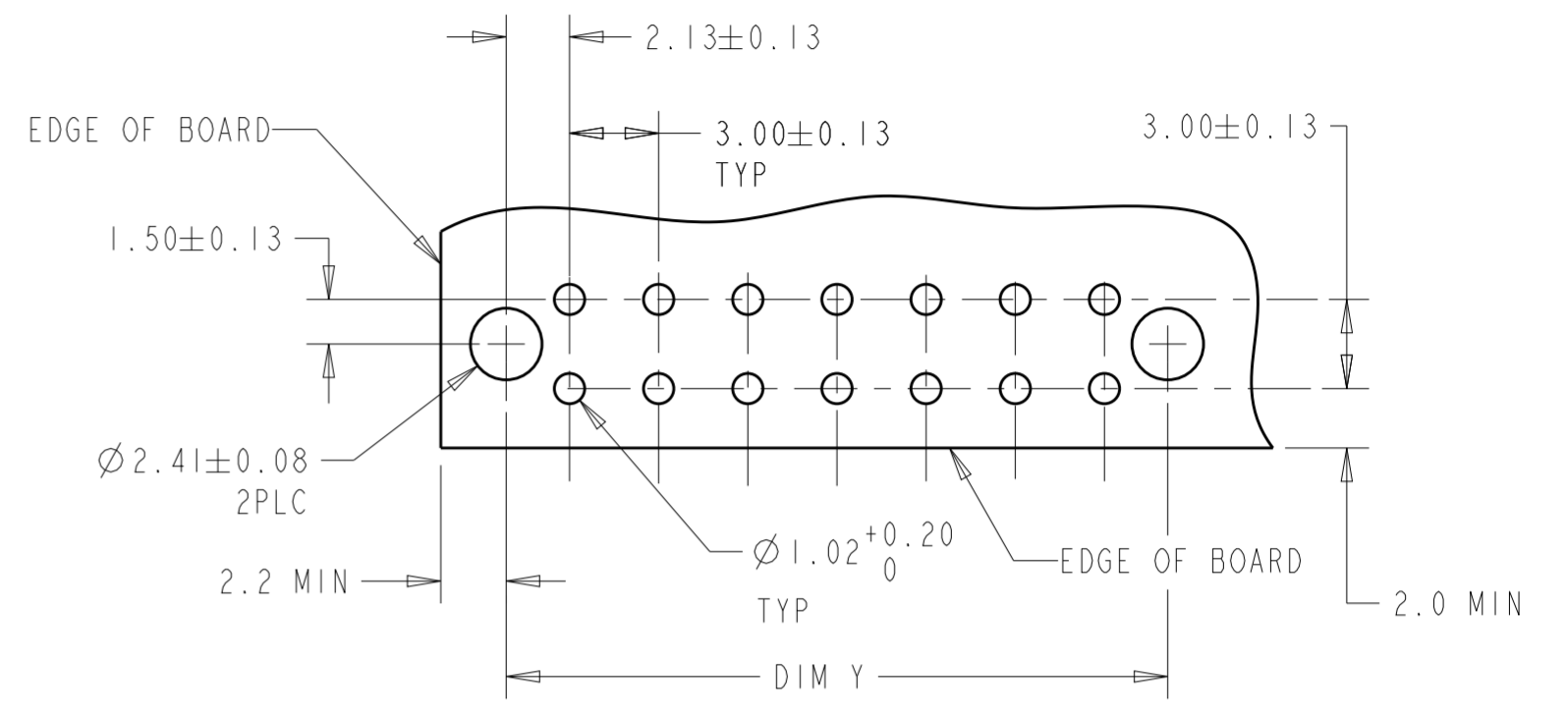
| | | | | |
|------------------------------------------------------------------|--|---------------------------------|----------------------------------------------------------------------------------------|--|
| THIS DRAWING IS A CONTROLLED DOCUMENT. | | DWN S. HOOVER 23-MAR-2005 | TE Connectivity | |
| DIMENSIONS: mm [INCHES] | | CHK C. JONES 23-MAR-2005 | | |
| TOLERANCES UNLESS OTHERWISE SPECIFIED: | | APVD C. JONES 23-MAR-2005 | NAME VERTICAL HEADER ASSEMBLY, THRU HOLE, TIN, DUAL ROW, MICRO MATE-N-LOK(TM) | |
| 0 PLC ± 1 PLC ± 2 PLC ±0.20 [.008] 3 PLC ± 4 PLC ± | | PRODUCT SPEC 108-1836 | SIZE CAGE CODE DRAWING NO RESTRICTED TO | |
| ANGLES ±1° FINISH | | APPLICATION SPEC 114-13000 | A2 00779 C-794680 - | |
| MATERIAL | | WEIGHT - | CUSTOMER DRAWING SCALE 4:1 SHEET 1 OF 2 REV F4 | |

THIS DRAWING IS UNPUBLISHED. RELEASED FOR PUBLICATION 20
 © COPYRIGHT 20 BY - ALL RIGHTS RESERVED.

| REVISIONS | | | | |
|-----------|-----|-------------|------|------|
| P | LTR | DESCRIPTION | DATE | APVD |
| - | - | SEE SHEET 1 | - | - |
| | | | | |
| | | | | |



KEYING BY POSITION SIZE



RECOMMENDED MOUNTING HOLE PATTERN

| | | | | |
|--------------------------------------------------------------------------------------------|--|---------------------------------|----------------------------------------------------------------------------------------|--------------------|
| THIS DRAWING IS A CONTROLLED DOCUMENT. | | DWN S. HOOVER 23-MAR-2005 | TE Connectivity | |
| DIMENSIONS: mm [INCHES] | | CHK C. JONES 23-MAR-2005 | | |
| TOLERANCES UNLESS OTHERWISE SPECIFIED: | | APVD C. JONES 23-MAR-2005 | NAME VERTICAL HEADER ASSEMBLY, THRU HOLE, TIN, DUAL ROW, MICRO MATE-N-LOK(TM) | |
| 0 PLC ± 1 PLC ± 2 PLC ±0.20 [.008] 3 PLC ± 4 PLC ± ANGLES ±1° FINISH - | | PRODUCT SPEC 108-1836 | SIZE A2 | CAGE CODE 00779 |
| MATERIAL - | | APPLICATION SPEC 114-13000 | DRAWING NO G-794680 | RESTRICTED TO - |
| - | | WEIGHT - | SCALE 4:1 SHEET 2 OF 2 REV F4 | |
| - | | CUSTOMER DRAWING | | |

X-ON Electronics

Largest Supplier of Electrical and Electronic Components

Click to view similar products for [Pin & Socket Connectors](#) category:

Click to view products by [TE Connectivity](#) manufacturer:

Other Similar products are found below :

[6450822-1](#) [770392-1](#) [794042-1](#) [796885-1](#) [8-794535-1](#) [881459-2](#) [R929993003](#) [1-350779-3](#) [1403611-1](#) [1-480349-5](#) [1586092-1](#) [1586129-1](#)
[1586487-1](#) [1586681-4](#) [1586700-1](#) [1586065-1](#) [1586077-1](#) [1586368-1](#) [1586380-1](#) [1586680-5](#) [1586681-2](#) [1604996-1](#) [16-06-0038](#) [164164-5](#) [1-](#)
[6609930-1](#) [172296-1](#) [1-794714-6](#) [19-09-2035](#) [1969804-1](#) [200503-1](#) [200788-2](#) [201046-7](#) [202648-4](#) [2029076-2](#) [2029090-4](#) [2029095-4](#) [2-](#)
[66102-6](#) [925061-7](#) [926681-1](#) [293734-4](#) [293737-2](#) [1-765362-4](#) [1-794606-3](#) [1871534-1](#) [1969795-1](#) [1969798-1](#) [1969800-1](#) [200833-4](#)
[2008625-2](#) [2029027-2](#)