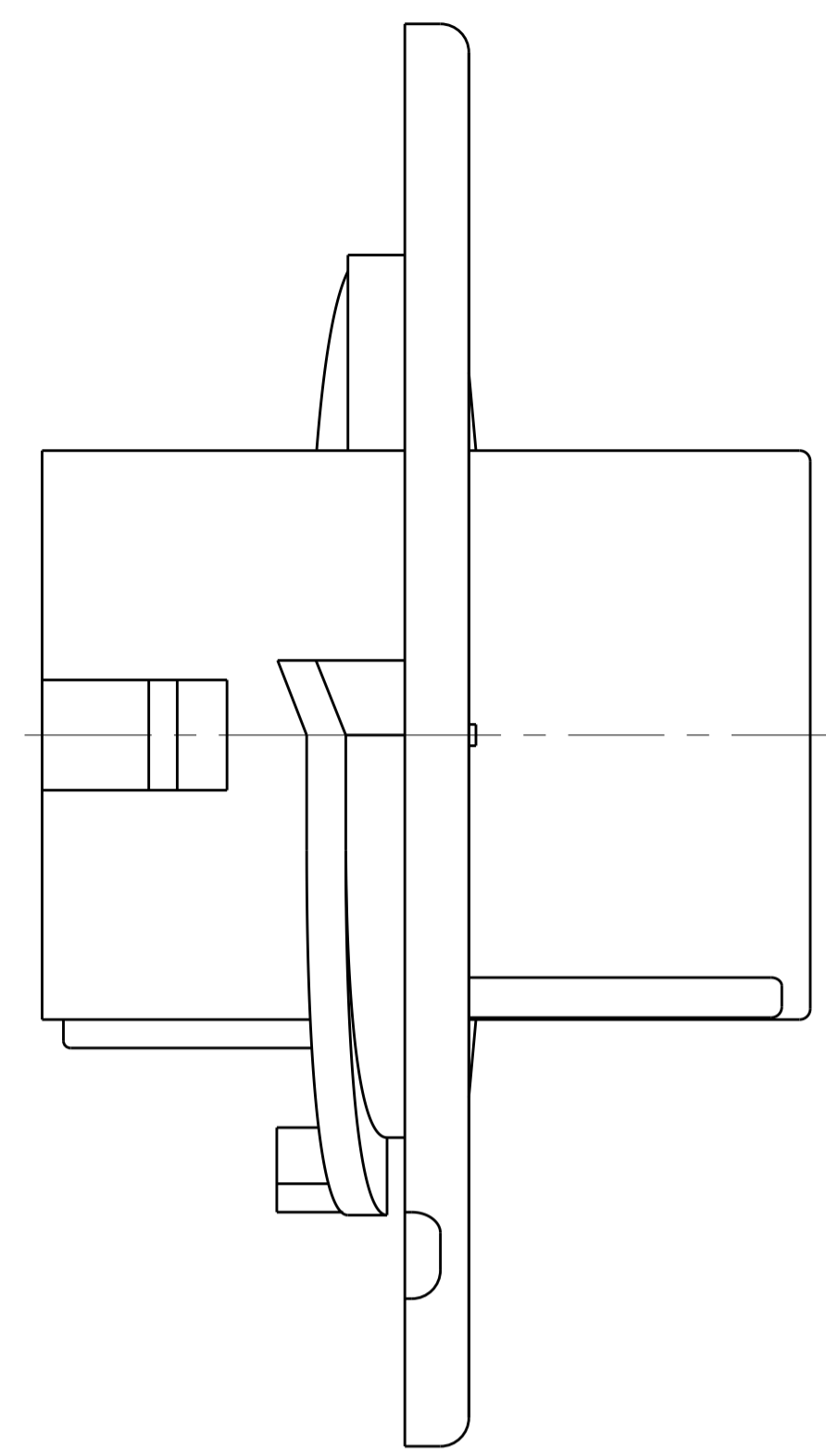
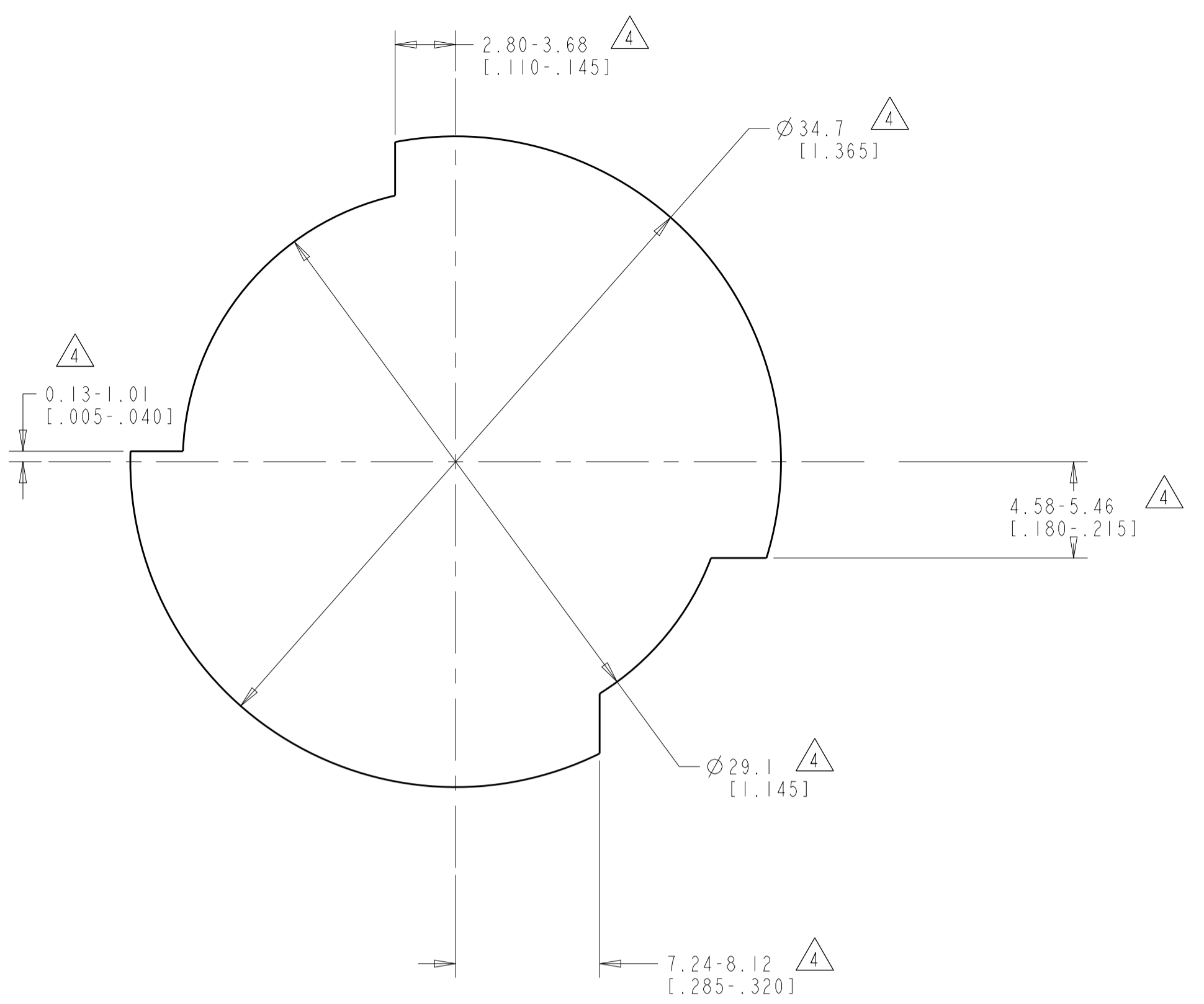
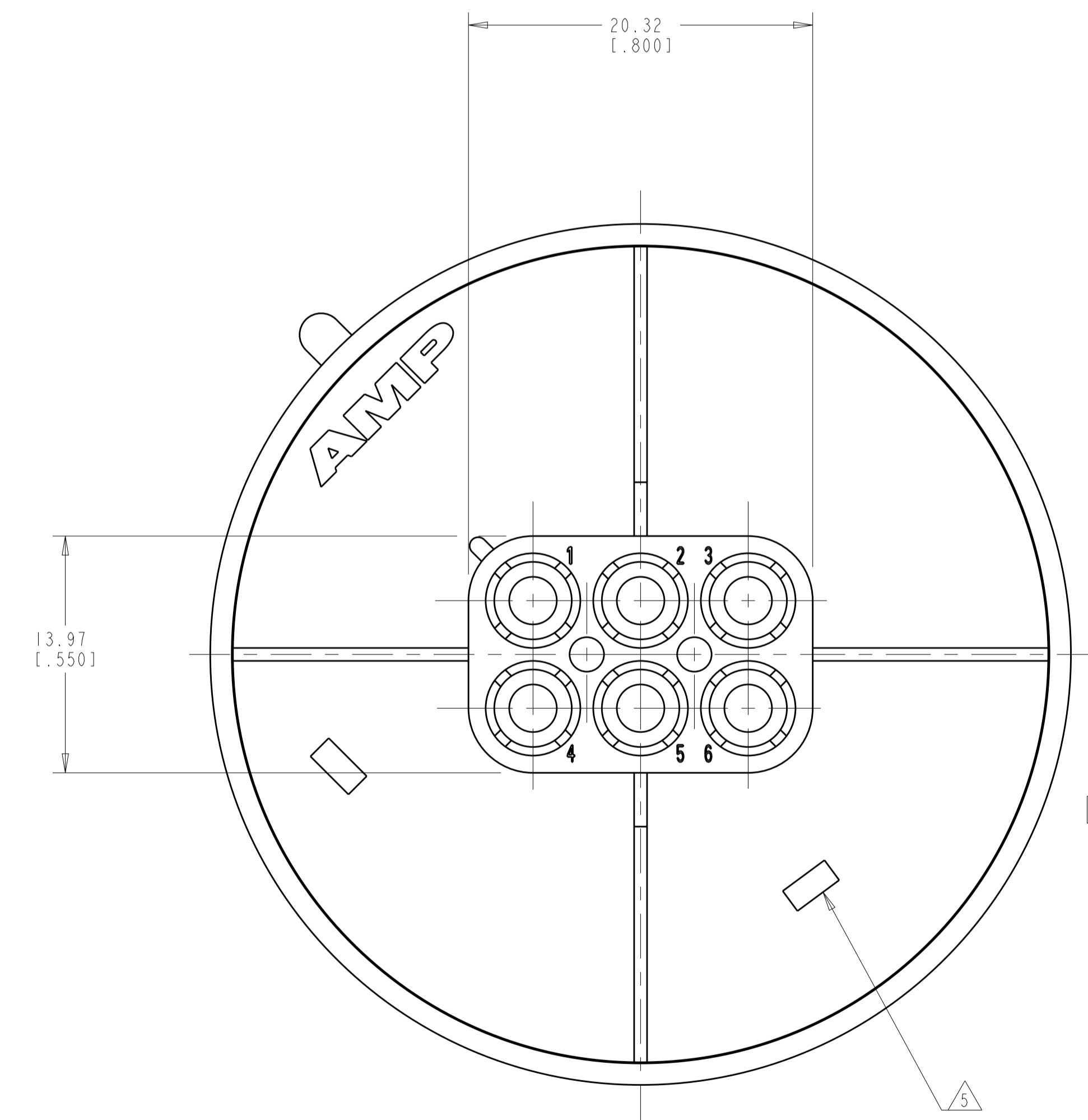
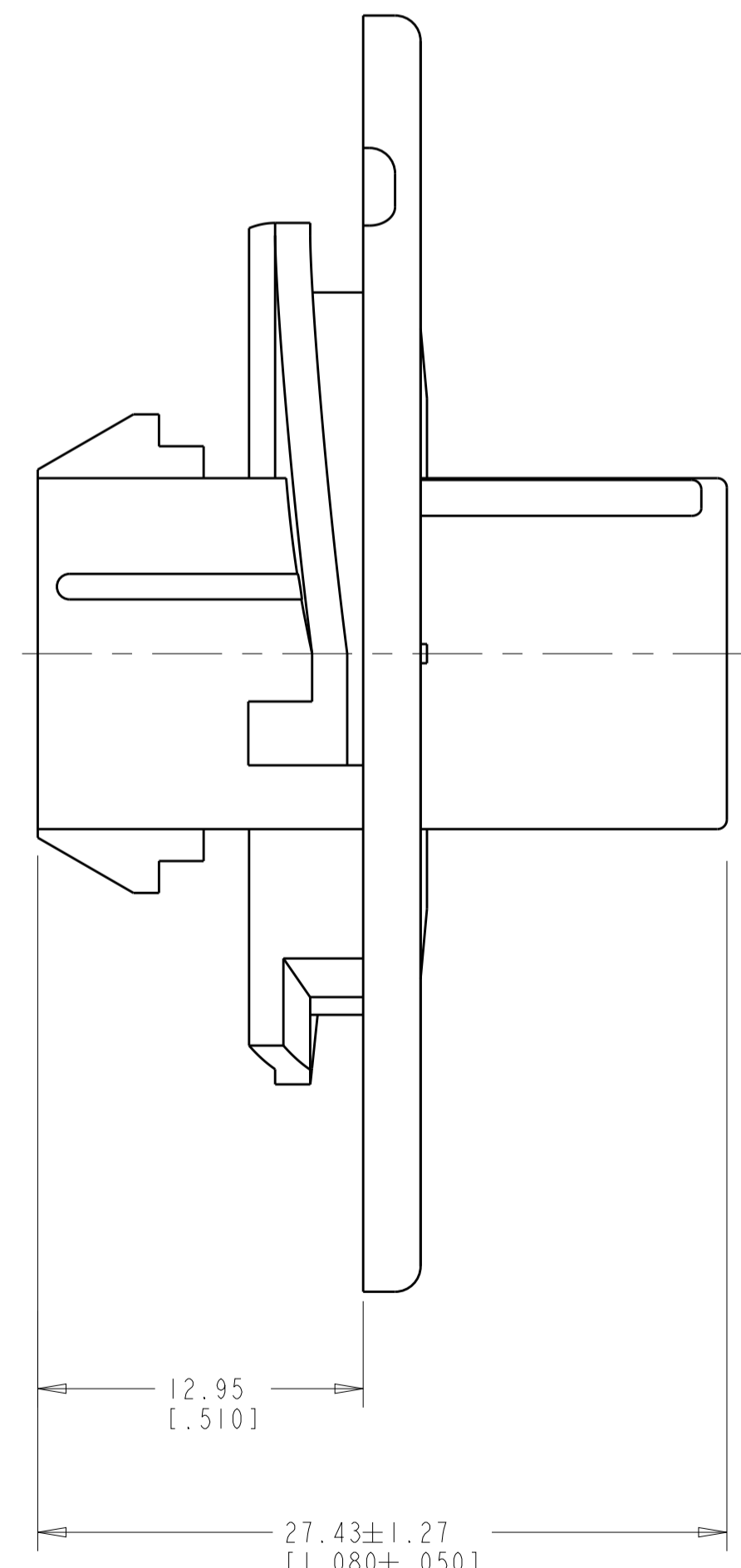
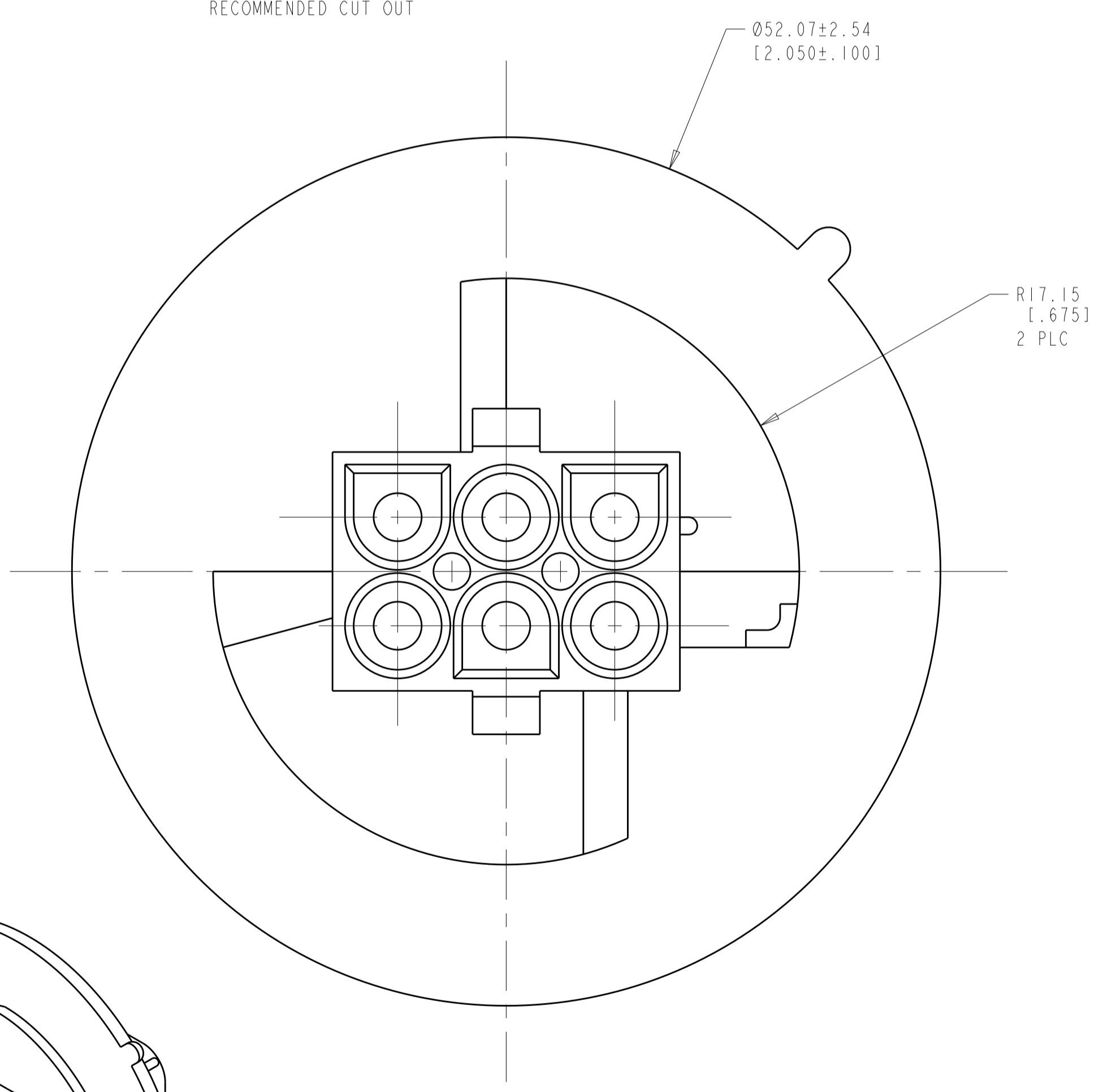


LOC	DIST	REVISIONS			
P	LTN	DESCRIPTION	DATE	DWN	APVD
M		REVISED PER ECR-17-015775	03NOV2017	BDA	KR

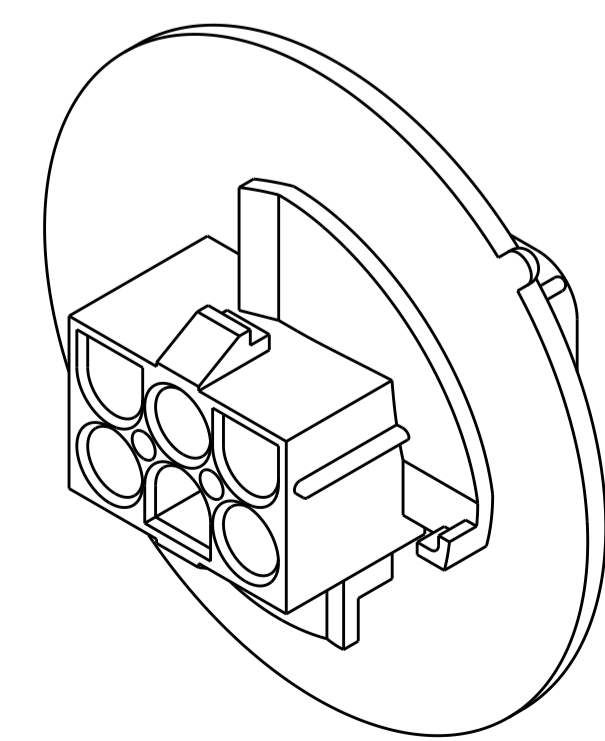


- MATES WITH APPROPRIATE UNIVERSAL MATE-N-LOK™ PLUG.
- RECOMMENDED PANEL THICKNESS 0.76 - 2.29 [0.030 - .090].
- PANEL MUST BE PUNCHED SO THAT THE HOUSING ENTERS THE PANEL IN THE SAME DIRECTION AS THE PUNCH.
- DIMENSIONS INDICATED ARE REFERENCE. ADDITIONAL GROWTH DUE TO SUBSEQUENT MOISTURE ABSORPTION MAY OCCUR.
- NOTE DELETED.
- UL AND CSA LOGOS LOCATED APPROXIMATELY AS SHOWN

RECOMMENDED CUT OUT



SUPERSEDED BY	COLOR	PART NUMBER
1586887-1	NATURAL	9-794714-0
	BLACK	1-794714-9
	GRAY	1-794714-8
	BLUE	1-794714-6
	GREEN	1-794714-5
	YELLOW	1-794714-4
	ORANGE	1-794714-3
794714-3	RED	1-794714-2
	BROWN	1-794714-1
	RED	794714-3
	NATURAL	794714-1
	COLOR	PART NUMBER



3-DIMENSIONAL MODEL SCALE 2:1

THIS DRAWING IS A CONTROLLED DOCUMENT.

DIMENSIONS: mm [INCHES]	TOLERANCES UNLESS OTHERWISE SPECIFIED:	DWN: R. WHITAKER 06-OCT-1999	CHK: M. TRULL 06-OCT-1999	APVD: M. TRULL 06-OCT-1999
0 PLC ±	1 PLC ±	2 PLC ±0.511(.020)	3 PLC ±	4 PLC ±
ANGLES	FINISH	40° 30'	MATERIAL: NYLON UL 94V-2, NATURAL	

STE TE Connectivity

NAME: CAP. 6 CIRCUIT, UNIVERSAL MATE-N-LOK(TM), SPECIAL

SIZE: A1 CAGE CODE: 00779 DRAWING NO: 794714

SCALE: 4:1 SHEET: 1 OF 1 REV: M

X-ON Electronics

Largest Supplier of Electrical and Electronic Components

Click to view similar products for [Pin & Socket Connectors](#) category:

Click to view products by [TE Connectivity](#) manufacturer:

Other Similar products are found below :

[6450822-1](#) [770392-1](#) [794042-1](#) [796885-1](#) [8-794535-1](#) [PLR3455ACS-222](#) [R929991004](#) [R929993003](#) [1403611-1](#) [1-480349-5](#) [152302-5](#)
[153211-2](#) [1586092-1](#) [1586129-1](#) [1586681-4](#) [1586700-1](#) [1586368-1](#) [1586380-1](#) [1586616-1](#) [1586680-5](#) [16-06-0038](#) [164164-5](#) [1-6609930-1](#)
[172296-1](#) [19-09-2035](#) [200503-1](#) [200788-2](#) [2029090-4](#) [2029095-4](#) [925061-7](#) [293734-4](#) [293737-2](#) [1-765362-4](#) [1871534-1](#) [200833-4](#)
[2008625-2](#) [2029027-2](#) [2029096-4](#) [R929991000](#) [R929991002](#) [R929993000](#) [319-10-101-00-005000](#) [319-10-102-00-001000](#) [319-10-104-00-001000](#) [319-10-105-00-001000](#) [319-10-108-00-001000](#) [319-10-112-00-006000](#) [39-01-8019](#) [319-10-101-00-001000](#) [319-10-102-00-005000](#)