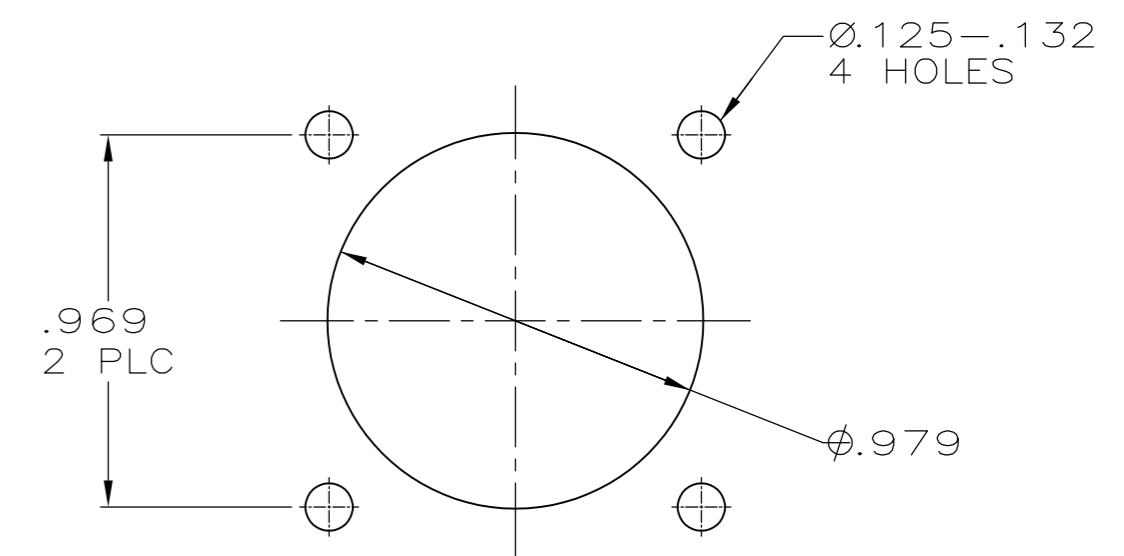
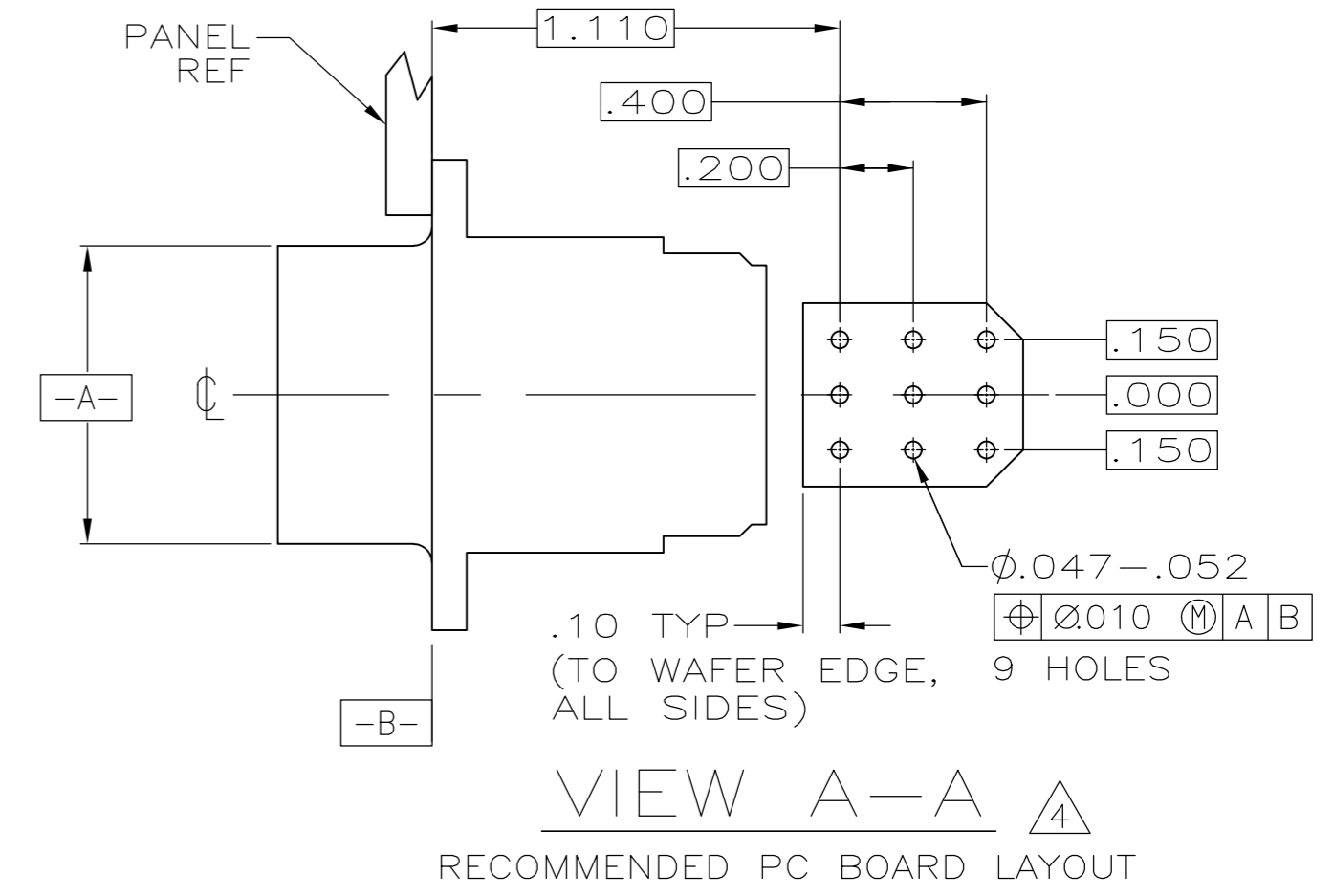
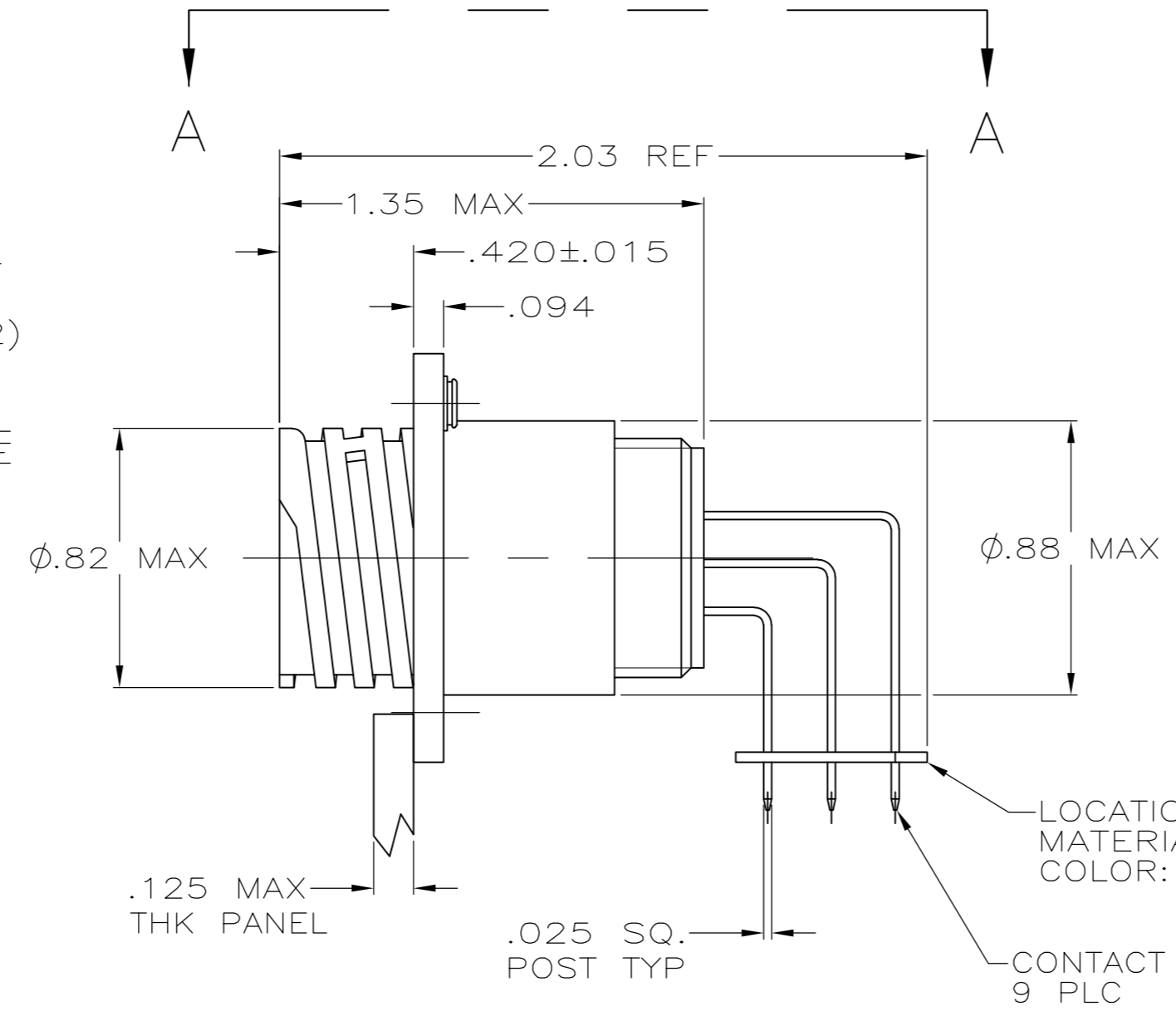
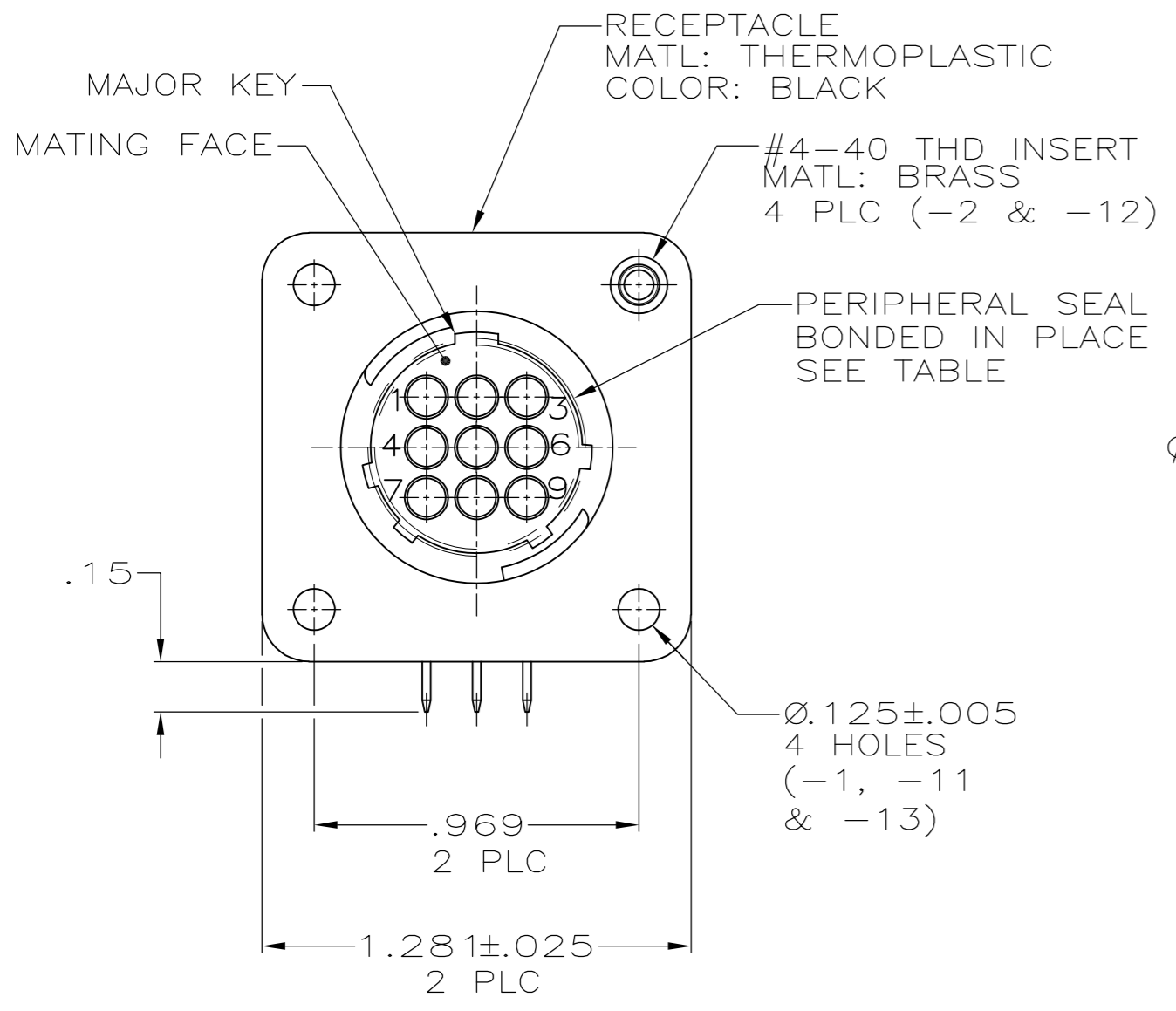


THIS DRAWING IS UNPUBLISHED. RELEASED FOR PUBLICATION  
 © COPYRIGHT - By - ALL RIGHTS RESERVED.

| REVISIONS |     |                           |           |       |
|-----------|-----|---------------------------|-----------|-------|
| P         | LTR | DESCRIPTION               | DATE      | APVD  |
| F1        |     | REVISED PER ECO-16-004800 | 10SEP2016 | NK MZ |



- 1 CONTACT CAVITIES IDENTIFIED BY CHARACTERS ON FRONT AND REAR FACES OF CONNECTOR.
- 2 #4 FASTENER RECOMMENDED FOR -1 MOUNTING.  
#4 FASTENER REQUIRED FOR -2 MOUNTING.
- 3 CONTACT BODY: .000030 MIN GOLD FOR A LENGTH OF .250 MIN FROM MATING END, WITH REMAINDER TO BE GOLD FLASH, BOTH OVER .000050 MIN NICKEL.  
CONTACT POST: .000100 MIN TIN-LEAD OVER .000100 MIN COPPER.
- 4 PC BOARD HOLE PATTERN IS DEFINED RELATIVE TO CONNECTOR C.L. AND PANEL MOUNTING FACE INDICATED.
- 5 CONTACT BODY: .000030 MIN GOLD FOR A LENGTH OF .250 MIN FROM MATING END, WITH REMAINDER TO BE GOLD FLASH, BOTH OVER .000050 MIN NICKEL.  
CONTACT POST: .000100 MIN TIN OVER .000100 MIN COPPER.

|                |      |         |             |                       |
|----------------|------|---------|-------------|-----------------------|
| OBSOLETE       | 5    | YES     | W/O INSERTS | <del>1-796375-3</del> |
|                | 5    | NO      | W/INSERTS   | 1-796375-2            |
|                | 5    | NO      | W/O INSERTS | 1-796375-1            |
| OBSOLETE       | 3    | YES     | W/O INSERTS | <del>796375-3</del>   |
|                | 3    | NO      | W/INSERTS   | <del>796375-2</del>   |
|                | 3    | NO      | W/O INSERTS | 796375-1              |
| CONTACT FINISH | SEAL | CONFIG. | PART NUMBER |                       |

|  |  |                       |  |  |
|--|--|-----------------------|--|--|
| THIS DRAWING IS A CONTROLLED DOCUMENT. |  | DWN HAMNER 2-19-00    |  |  |
| DIMENSIONS: INCHES                     |  | CHK M.CHACKO 2-23-00  |  |  |
| TOLERANCES UNLESS OTHERWISE SPECIFIED: |  | APVD M.CHACKO 2-23-00 | NAME   |  |
| 0 PLC ± -                              |  | PRODUCT SPEC          | RECEPTACLE ASSY, POSTED, RT ANGLE, STD SEX, SIZE 13-9, SERIES 1, CPC |  |
| 1 PLC ± -                              |  | APPLICATION SPEC      | SIZE CAGE CODE DRAWING NO RESTRICTED TO                              |  |
| 2 PLC ± .03                            |  | WEIGHT                | A2 00779 C=796375  |  |
| 3 PLC ± .010                           |  | CUSTOMER DRAWING      | SCALE 2:1 SHEET 1 of 1 REV F1  |  |
| 4 PLC ± -                              |  |                       |  |  |
| ANGLES ± -                             |  |                       |  |  |
| FINISH                                 |  |                       |  |  |

## X-ON Electronics

Largest Supplier of Electrical and Electronic Components

*Click to view similar products for [Standard Circular Connector](#) category:*

*Click to view products by [TE Connectivity](#) manufacturer:*

Other Similar products are found below :

[5M2530B10P](#) [600259N006](#) [600273N007](#) [6134-336-13149](#) [6134-337-11149](#) [6134-337-2390](#) [6134-341-17149](#) [6280-4SG-516](#) [6280-7SG-3DC](#)  
[6290](#) [6291A](#) [66200A-10](#) [680-SMG](#) [681-PMG](#) [CXS3102A14S2P](#) [CXS3102A181S](#) [7271-6SG-300](#) [7282-3PG-300-CH3](#) [75-474014-05S](#) [75-](#)  
[474618-01S](#) [75-474618-04P](#) [75-474618-04S](#) [799539-000](#) [MI8-SE](#) [805-005-07NF11-19PC](#) [805-005-07NF15-7PA](#) [8280-4PG-516](#) [8280-7PG-](#)  
[519](#) [8282-5PG-519](#) [836783-1](#) [MP-4102-25P-C](#) [862256-1](#) [864019-2](#) [866857-1](#) [867865-1](#) [PT01SP-14-18P](#) [PT08P-14-5S](#) [120-1833-000](#)  
[QCM019PC2DC012B](#) [1-2069279-1](#) [121583-0217](#) [121667-0020](#) [129591AU](#) [1000B BULK](#) [RD10A16-19-P6CS051/1](#) [RD10A20-31-](#)  
[P8CS051/1](#) [RD16A14-12-S6CS051/2](#) [1301240290](#) [1301240347](#) [1301860202](#) [1301240268](#)