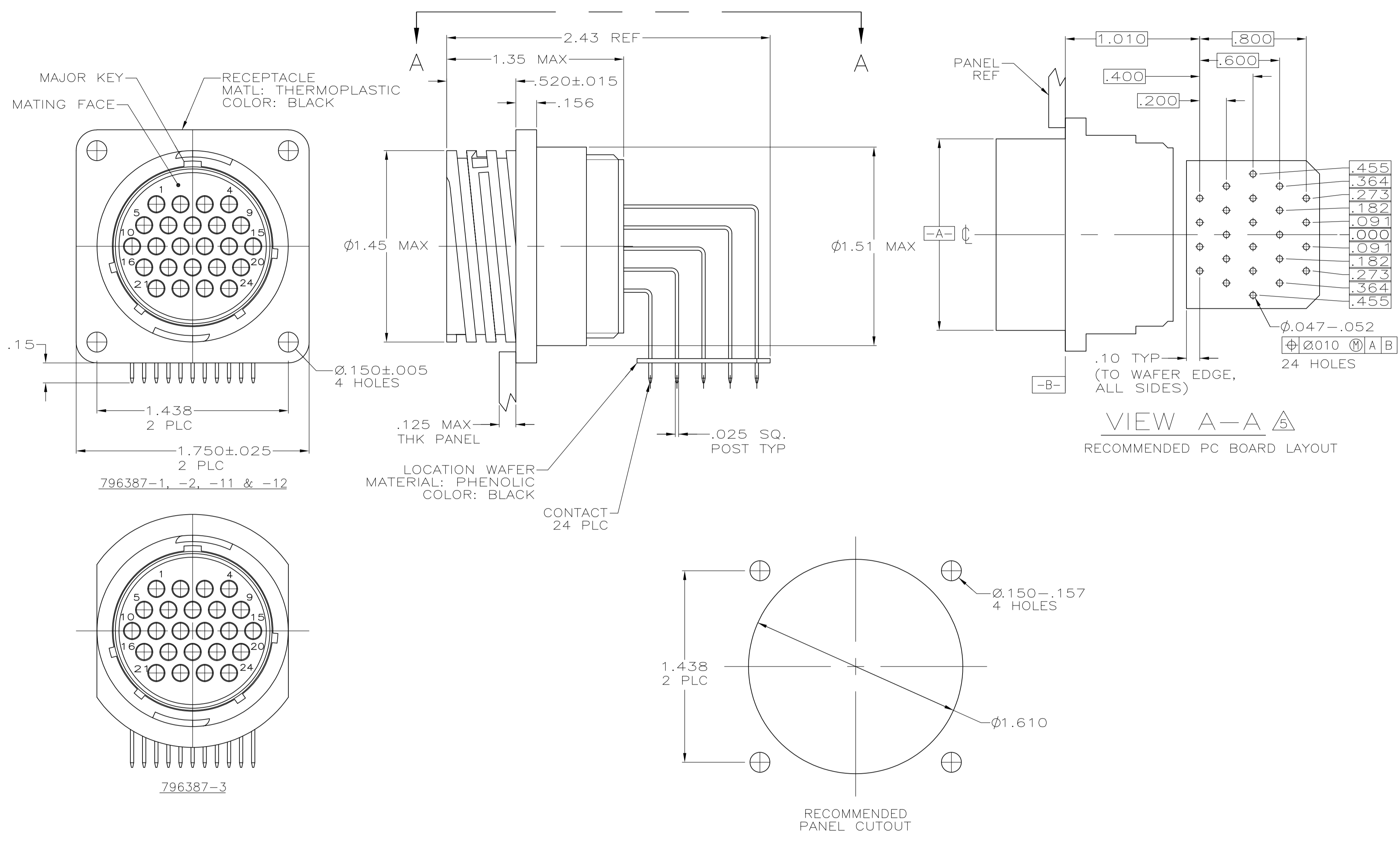


REVISIONS				
P	LTR	DESCRIPTION	DATE	APP'D
C1		REVISED PER ECO-16-004800	08SEP2016	NK MZ



- 1 CONTACT CAVITIES IDENTIFIED BY CHARACTERS ON FRONT AND REAR FACES OF CONNECTOR.
- 2 #6 FASTENER RECOMMENDED FOR MOUNTING.
- ⚠ CONTACT BODY: .000100 MIN TIN-LEAD OVER .000050 MIN NICKEL.
CONTACT POST: .000100 MIN TIN-LEAD OVER .000100 MIN COPPER.
- ⚠ CONTACT BODY: .000030 MIN GOLD FOR A LENGTH OF .250 MIN FROM MATING END, WITH REMAINDER TO BE GOLD FLASH, BOTH OVER .000050 MIN NICKEL.
CONTACT POST: .000100 MIN TIN-LEAD OVER .000100 MIN COPPER.
- ⚠ PC BOARD HOLE PATTERN IS DEFINED RELATIVE TO CONNECTOR C.L.
- ⚠ FREE HANGING RECEPTACLE.
- ⚠ CONTACT BODY: .000100 MIN TIN OVER .000050 MIN NICKEL.
CONTACT POST: .000100 MIN TIN OVER .000100 MIN COPPER.
- ⚠ CONTACT BODY: .000030 MIN GOLD FOR A LENGTH OF .250 MIN FROM MATING END, WITH REMAINDER TO BE GOLD FLASH, BOTH OVER .000050 MIN NICKEL.
CONTACT POST: .000100 MIN TIN OVER .000100 MIN COPPER.

NOTES	CONTACT FINISH	PART NUMBER
		1-796387-2
		1-796387-1
OBSELETE	⚠	-796387-3
	⚠	796387-2
OBSELETE	⚠	-796387-1

THIS DRAWING IS A CONTROLLED DOCUMENT.

DIMENSIONS: INCHES	TOLERANCES UNLESS OTHERWISE SPECIFIED:	DIN 4-2-00	NAME
0 PLC ± -	1 PLC ± -	2 PLC ± .03	3 PLC ± .010
4 PLC ± -	ANGLES ± -		

MATERIAL: - FINISH: -

WEIGHT: A1 00779 C=796387

CUSTOMER DRAWING SCALE: 2:1 SHEET: 1 OF 1 REV: C1

DIN HAMNER 4-2-00
CHK M.CHACKO 4-4-00
APP'D M.CHACKO 4-4-00

STE TE Connectivity

RECEPTACLE ASSY, POSTED, RT ANGLE, STD SEX, SIZE 23-24, SERIES 1, CPC

X-ON Electronics

Largest Supplier of Electrical and Electronic Components

Click to view similar products for [Standard Circular Connector](#) category:

Click to view products by [TE Connectivity](#) manufacturer:

Other Similar products are found below :

[5M2530B10P](#) [600259N006](#) [600273N007](#) [6134-336-13149](#) [6134-337-11149](#) [6134-337-2390](#) [6134-341-17149](#) [6280-4SG-516](#) [6280-7SG-3DC](#)
[6290](#) [6291A](#) [66200A-10](#) [680-SMG](#) [681-PMG](#) [CXS3102A14S2P](#) [CXS3102A181S](#) [7271-6SG-300](#) [7282-3PG-300-CH3](#) [75-474618-01S](#) [75-](#)
[474618-04P](#) [75-474618-04S](#) [799539-000](#) [MI8-SE](#) [805-005-07NF11-19PC](#) [805-005-07NF15-7PA](#) [8280-4PG-516](#) [8280-7PG-519](#) [8282-5PG-](#)
[519](#) [836783-1](#) [MP-4102-25P-C](#) [862256-1](#) [864019-2](#) [866857-1](#) [867865-1](#) [PT01SP-14-18P](#) [PT08P-14-5S](#) [120-1833-000](#)
[QCM019PC2DC012B](#) [1-2069279-1](#) [121583-0217](#) [121667-0020](#) [129591AU](#) [1000B BULK](#) [RD10A16-19-P6CS051/1](#) [RD10A20-31-](#)
[P8CS051/1](#) [RD16A14-12-S6CS051/2](#) [1301240290](#) [1301240347](#) [1301860202](#) [1301240268](#) [1301240275](#)