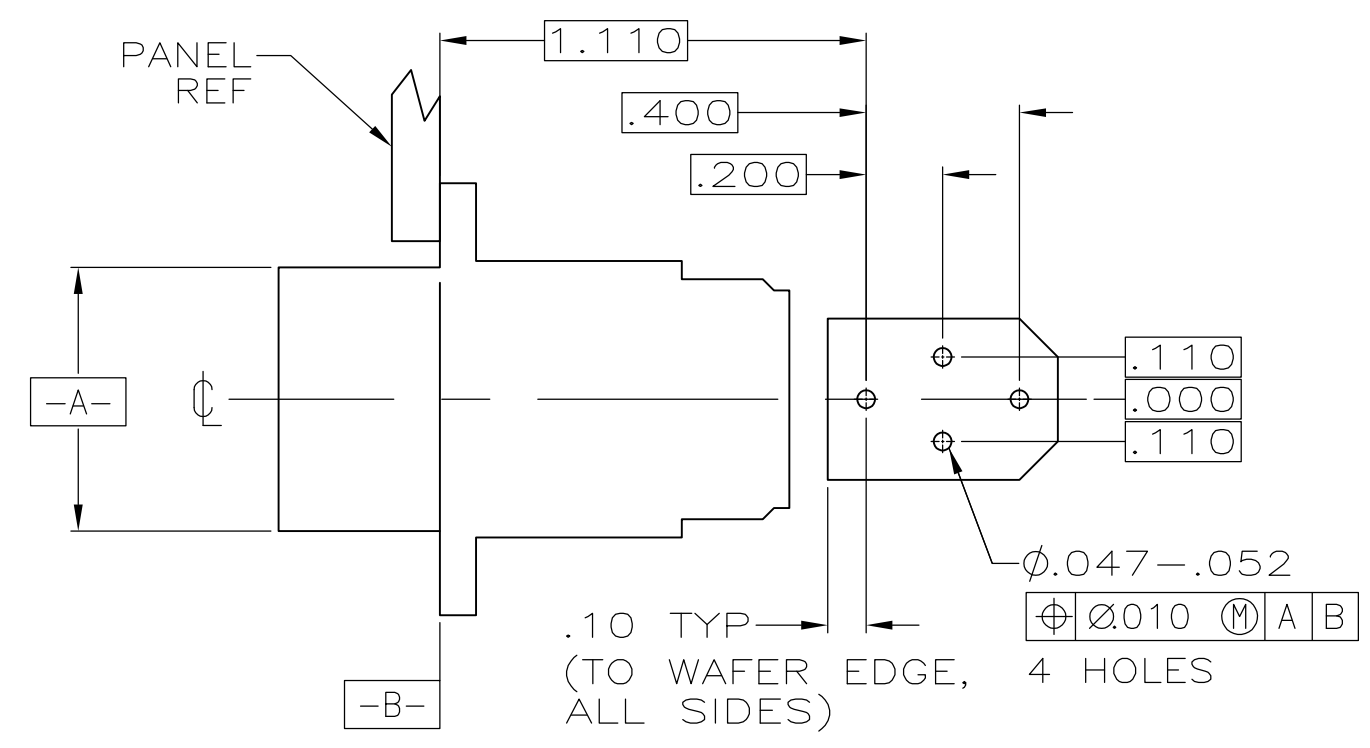
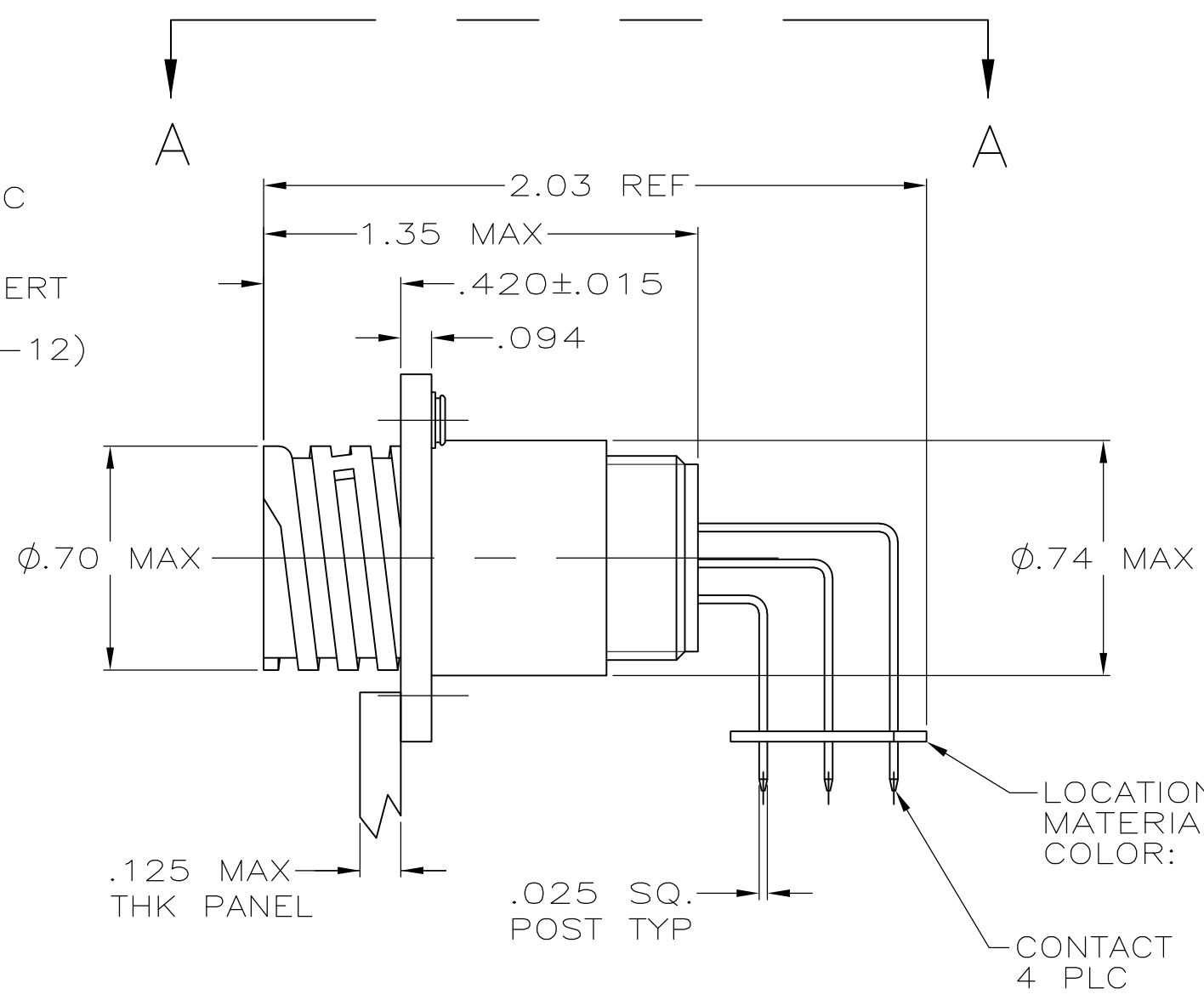
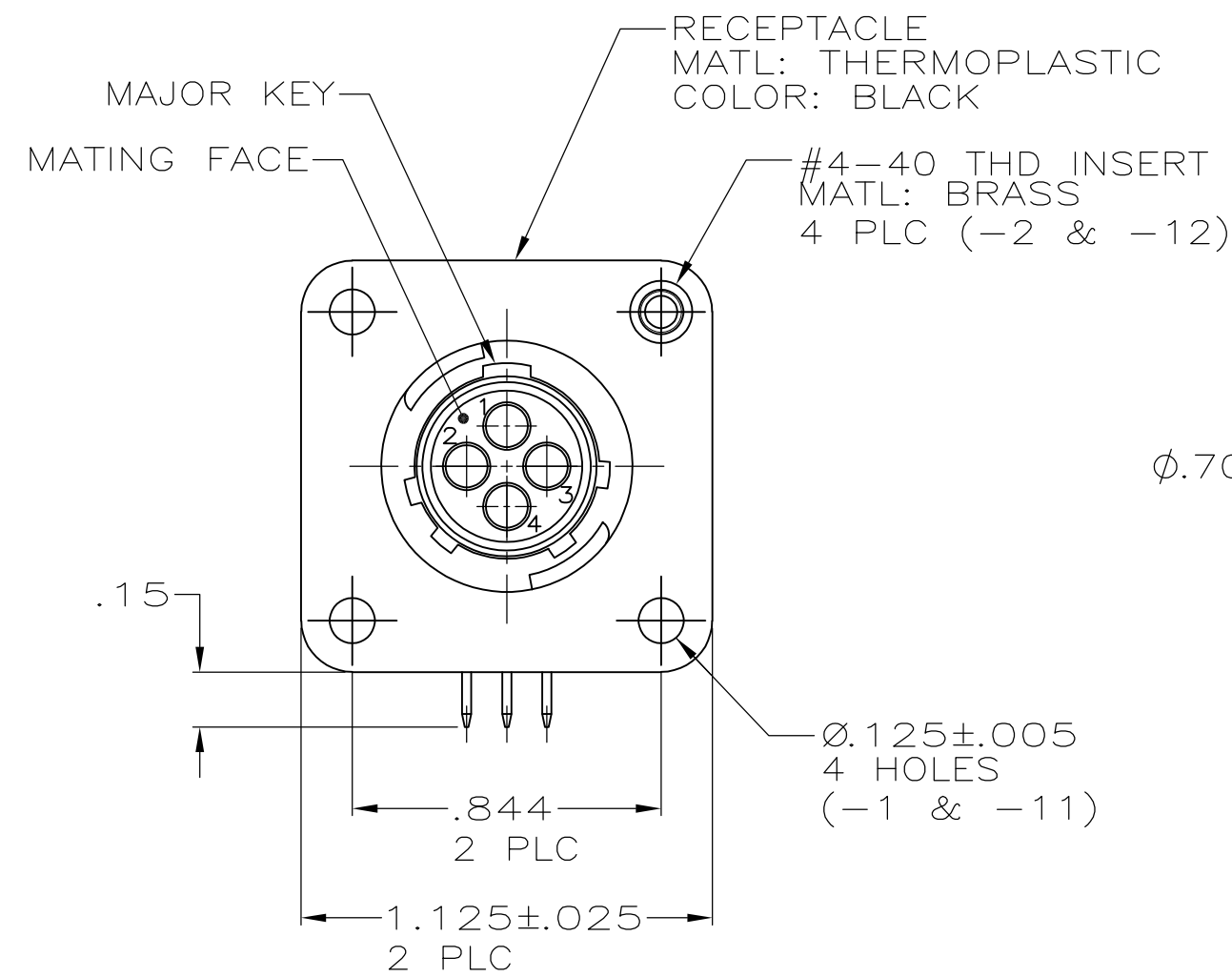
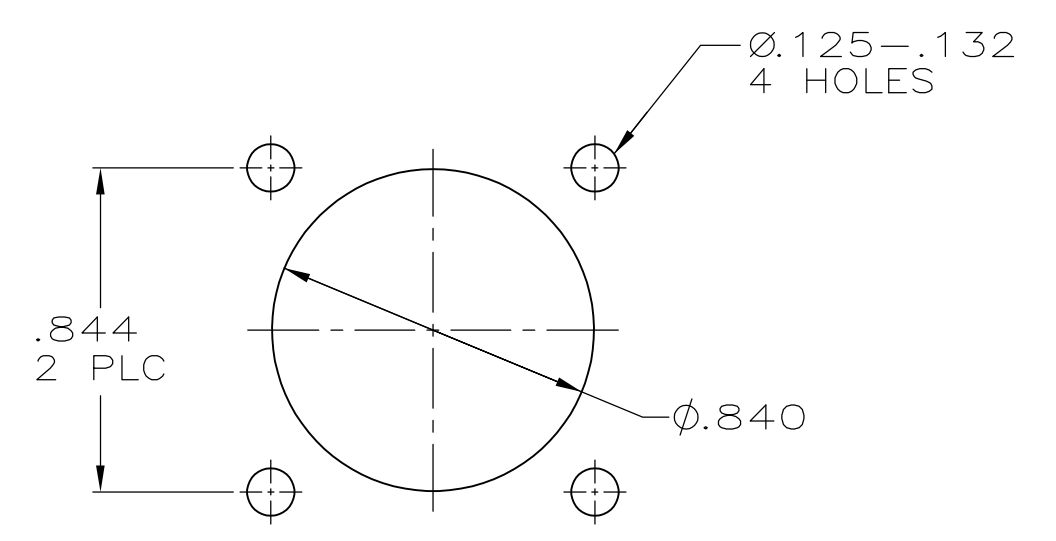


THIS DRAWING IS UNPUBLISHED. RELEASED FOR PUBLICATION  
 © COPYRIGHT - By - ALL RIGHTS RESERVED.

REVISIONS					
P	LTR	DESCRIPTION	DATE	DWN	APVD
E1		REVISED PER ECO-16-004800	08SEP2016	NK	MZ



VIEW A-A  
 RECOMMENDED PC BOARD LAYOUT



- 1 CONTACT CAVITIES IDENTIFIED BY CHARACTERS ON FRONT AND REAR FACES OF CONNECTOR.
- 2 #4 FASTENER RECOMMENDED FOR -1 MOUNTING.  
#4 FASTENER REQUIRED FOR -2 MOUNTING.
- 3 CONTACT BODY: .000030 MIN GOLD FOR A LENGTH OF .250 MIN FROM MATING END, WITH REMAINDER TO BE GOLD FLASH, BOTH OVER .000050 MIN NICKEL.  
CONTACT POST: .000100 MIN TIN-LEAD OVER .000100 MIN COPPER.
- 4 PC BOARD HOLE PATTERN IS DEFINED RELATIVE TO CONNECTOR C.L. AND PANEL MOUNTING FACE INDICATED.
- 5 CONTACT BODY: .000030 MIN GOLD FOR A LENGTH OF .250 MIN FROM MATING END, WITH REMAINDER TO BE GOLD FLASH, BOTH OVER .000050 MIN NICKEL.  
CONTACT POST: .000100 MIN TIN OVER .000100 MIN COPPER.

RECOMMENDED PANEL CUTOUT		
CONTACT FINISH	CONFIG.	PART NUMBER
5	W/INSERTS	1-796403-2
5	W/O INSERTS	1-796403-1
3	W/INSERTS	-796403-2-
3	W/O INSERTS	796403-1

THIS DRAWING IS A CONTROLLED DOCUMENT.		DWN HAMNER 2-19-00	<b>TE</b> TE Connectivity	
DIMENSIONS: INCHES		CHK M.CHACKO 2-24-00		
TOLERANCES UNLESS OTHERWISE SPECIFIED:		APVD M.CHACKO 2-24-00	NAME	
0 PLC ± -		PRODUCT SPEC	RECEPTACLE ASSY, POSTED, RT ANGLE, STD SEX, SIZE 11-4, SERIES 1, CPC	
1 PLC ± -		APPLICATION SPEC	SIZE	RESTRICTED TO
2 PLC ± .03		WEIGHT	A2	-
3 PLC ± .010		CUSTOMER DRAWING	CAGE CODE	SCALE
4 PLC ± -		SCALE 2:1	00779	SHEET 1 of 1
ANGLES ± -		DRAWING NO	C=796403	REV E1
FINISH		SHEET 1 of 1		

## X-ON Electronics

Largest Supplier of Electrical and Electronic Components

*Click to view similar products for [Standard Circular Connector](#) category:*

*Click to view products by [TE Connectivity](#) manufacturer:*

Other Similar products are found below :

[5M2530B10P](#) [600259N006](#) [600273N007](#) [6134-336-13149](#) [6134-337-11149](#) [6134-337-2390](#) [6134-341-17149](#) [6280-4SG-516](#) [6280-7SG-3DC](#)  
[6290](#) [6291A](#) [66200A-10](#) [680-SMG](#) [681-PMG](#) [CXS3102A14S2P](#) [CXS3102A181S](#) [7271-6SG-300](#) [7282-3PG-300-CH3](#) [75-474014-05S](#) [75-](#)  
[474618-01S](#) [75-474618-04P](#) [75-474618-04S](#) [799539-000](#) [MI8-SE](#) [805-005-07NF11-19PC](#) [805-005-07NF15-7PA](#) [8280-4PG-516](#) [8280-7PG-](#)  
[519](#) [8282-5PG-519](#) [836783-1](#) [MP-4102-25P-C](#) [862256-1](#) [864019-2](#) [866857-1](#) [867865-1](#) [PT01SP-14-18P](#) [PT08P-14-5S](#) [120-1833-000](#)  
[QCM019PC2DC012B](#) [1-2069279-1](#) [121583-0217](#) [121667-0020](#) [129591AU](#) [1000B BULK](#) [RD10A16-19-P6CS051/1](#) [RD10A20-31-](#)  
[P8CS051/1](#) [RD16A14-12-S6CS051/2](#) [1301240290](#) [1301240347](#) [1301860202](#) [1301240268](#)