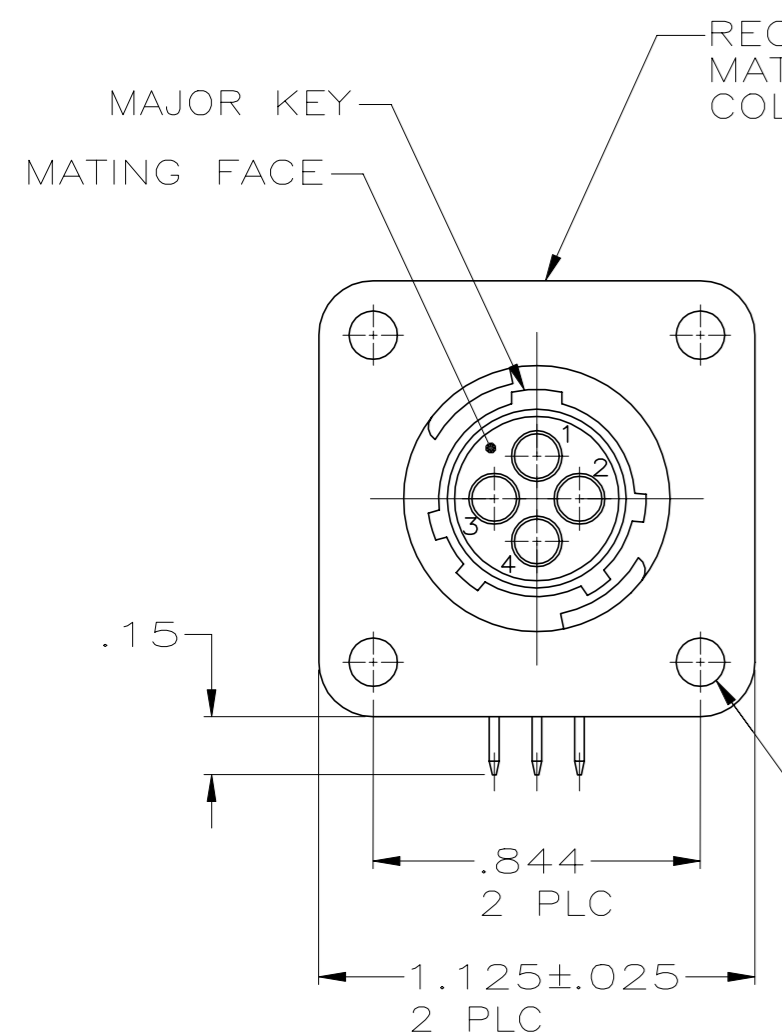
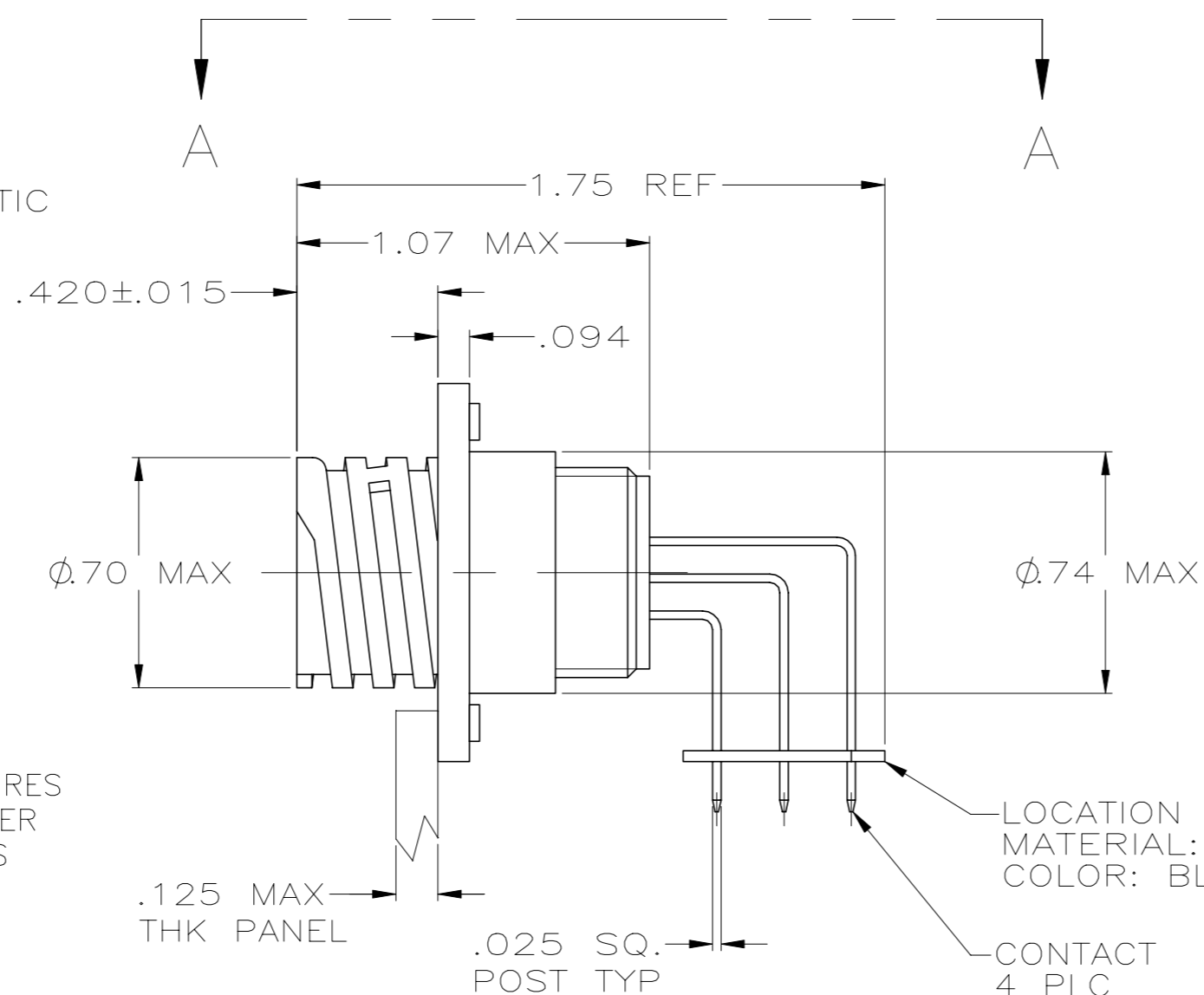


REVISIONS					
P	LTR	DESCRIPTION	DATE	DWN	APVD
B		REVISED PER 0G3B-0100-05	5/4/05	SS	HW
B1		REVISED PER ECO-20-012644	09SEP2020	SG	MZ

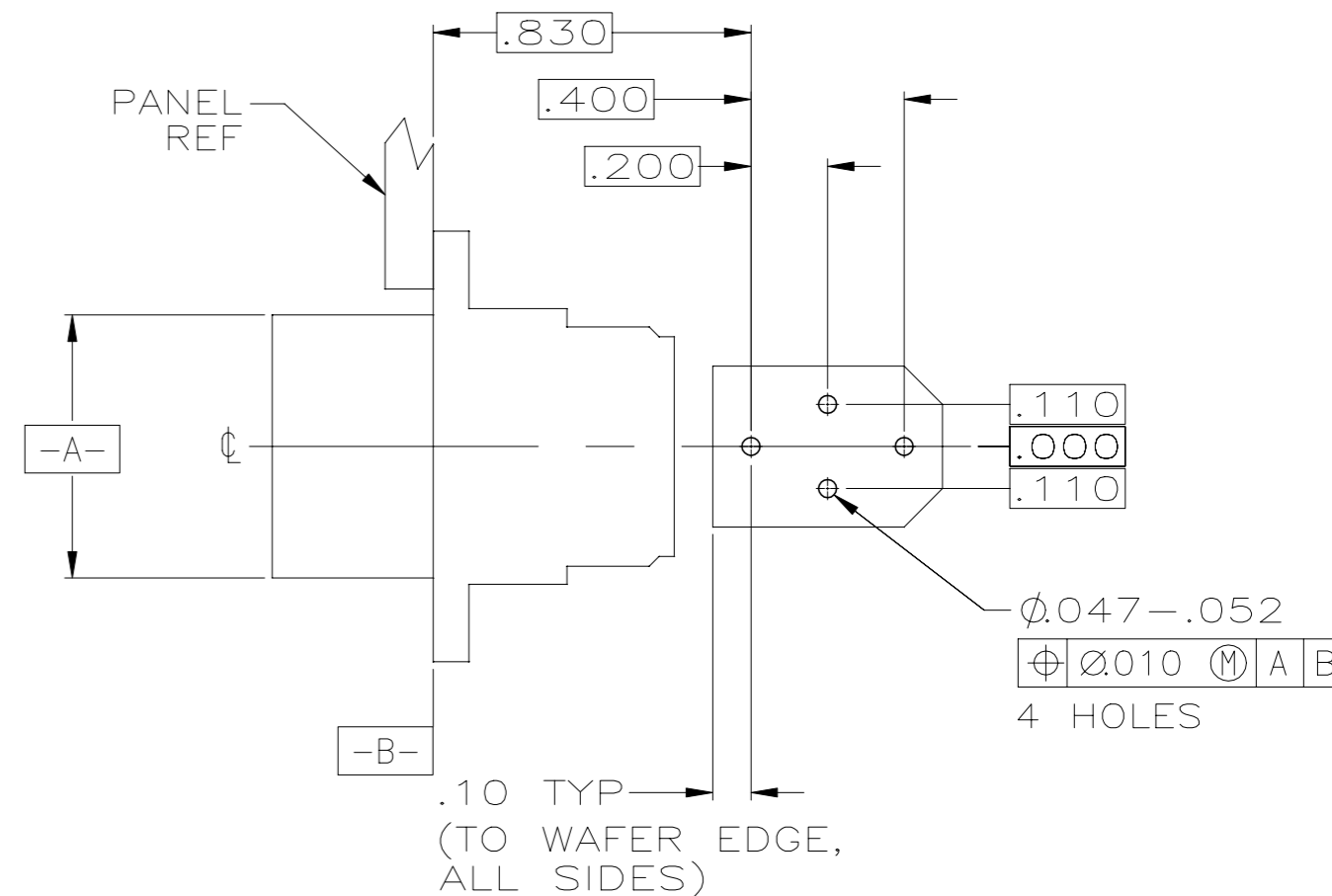


MOUNTING FEATURES
SEE PART NUMBER
CHART 4 PLACES

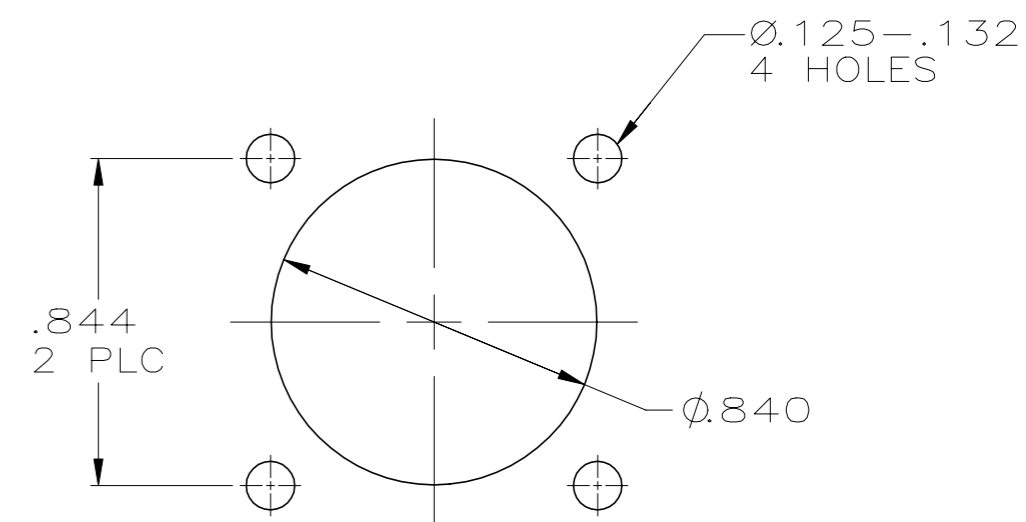


LOCATION WAFER
MATERIAL: PHENOLIC
COLOR: BLACK

CONTACT
4 PLC



VIEW A-A
RECOMMENDED PC BOARD LAYOUT



RECOMMENDED
PANEL CUTOUT

- CONTACT CAVITIES IDENTIFIED BY CHARACTERS ON FRONT AND REAR FACES OF CONNECTOR.
- #4 FASTENER RECOMMENDED FOR MOUNTING.
- CONTACT BODY: .000030 MIN GOLD FOR A LENGTH OF .200 MIN FROM MATING END, WITH REMAINDER TO BE GOLD FLASH, BOTH OVER .000050 MIN NICKEL.
CONTACT POST: .000100 MIN TIN-LEAD OVER .000100 MIN COPPER.
- PC BOARD HOLE PATTERN IS DEFINED RELATIVE TO CONNECTOR C.L. AND PANEL MOUNTING FACE INDICATED.
- CONTACT BODY: .000030 MIN GOLD FOR A LENGTH OF .200 MIN FROM MATING END, WITH REMAINDER TO BE GOLD FLASH, BOTH OVER .000050 MIN NICKEL.
CONTACT POST: .000100 MIN TIN OVER .000100 MIN COPPER.

#4-40 THREADED INSERTS, BRASS	5	1-796407-1
Ø.125±.005 HOLES	5	1-796407-1
Ø.125±.005 HOLES	3	796407-1
MOUNTING FEATURES	CONTACT FINISH	PART NUMBER

THIS DRAWING IS A CONTROLLED DOCUMENT.		DWN HAMNER 3-20-00	TE Connectivity																						
DIMENSIONS: INCHES		CHK M.CHACKO 3-23-00																							
TOLERANCES UNLESS OTHERWISE SPECIFIED:		APVD M.CHACKO 3-23-00	NAME RECEPTACLE ASSY, POSTED, RT ANGLE, RVS SEX, SIZE 11-4, SERIES 1, CPC																						
<table border="1"> <tr><td>0 PLC</td><td>±</td><td>-</td></tr> <tr><td>1 PLC</td><td>±</td><td>-</td></tr> <tr><td>2 PLC</td><td>±</td><td>.03</td></tr> <tr><td>3 PLC</td><td>±</td><td>.010</td></tr> <tr><td>4 PLC</td><td>±</td><td>-</td></tr> <tr><td>ANGLES</td><td>±</td><td>± -</td></tr> <tr><td>FINISH</td><td></td><td></td></tr> </table>		0 PLC	±	-	1 PLC	±	-	2 PLC	±	.03	3 PLC	±	.010	4 PLC	±	-	ANGLES	±	± -	FINISH			APPLICATION SPEC	SIZE A2	
0 PLC	±	-																							
1 PLC	±	-																							
2 PLC	±	.03																							
3 PLC	±	.010																							
4 PLC	±	-																							
ANGLES	±	± -																							
FINISH																									
MATERIAL		WEIGHT	CAGE CODE 00779	DRAWING NO 796407																					
CUSTOMER DRAWING			RESTRICTED TO	SCALE 2:1																					
			SHEET 1 OF 1	REV B1																					

X-ON Electronics

Largest Supplier of Electrical and Electronic Components

Click to view similar products for [Standard Circular Connector](#) category:

Click to view products by [TE Connectivity](#) manufacturer:

Other Similar products are found below :

[5M2530B10P](#) [600259N006](#) [600273N007](#) [6134-336-13149](#) [6134-337-11149](#) [6134-337-2390](#) [6134-341-17149](#) [6280-4SG-516](#) [6280-7SG-3DC](#)
[6290](#) [6291A](#) [66200A-10](#) [680-SMG](#) [681-PMG](#) [CXS3102A14S2P](#) [CXS3102A181S](#) [7271-6SG-300](#) [7282-3PG-300-CH3](#) [75-474618-01S](#) [75-](#)
[474618-04P](#) [75-474618-04S](#) [799539-000](#) [MI8-SE](#) [805-005-07NF11-19PC](#) [805-005-07NF15-7PA](#) [8280-4PG-516](#) [8280-7PG-519](#) [8282-5PG-](#)
[519](#) [836783-1](#) [MP-4102-25P-C](#) [862256-1](#) [864019-2](#) [866857-1](#) [867865-1](#) [PT01SP-14-18P](#) [PT08P-14-5S](#) [120-1833-000](#)
[QCM019PC2DC012B](#) [1-2069279-1](#) [121583-0217](#) [121667-0020](#) [129591AU](#) [1000B BULK](#) [RD10A16-19-P6CS051/1](#) [RD10A20-31-](#)
[P8CS051/1](#) [RD16A14-12-S6CS051/2](#) [1301240290](#) [1301240347](#) [1301860202](#) [1301240268](#) [1301240275](#)