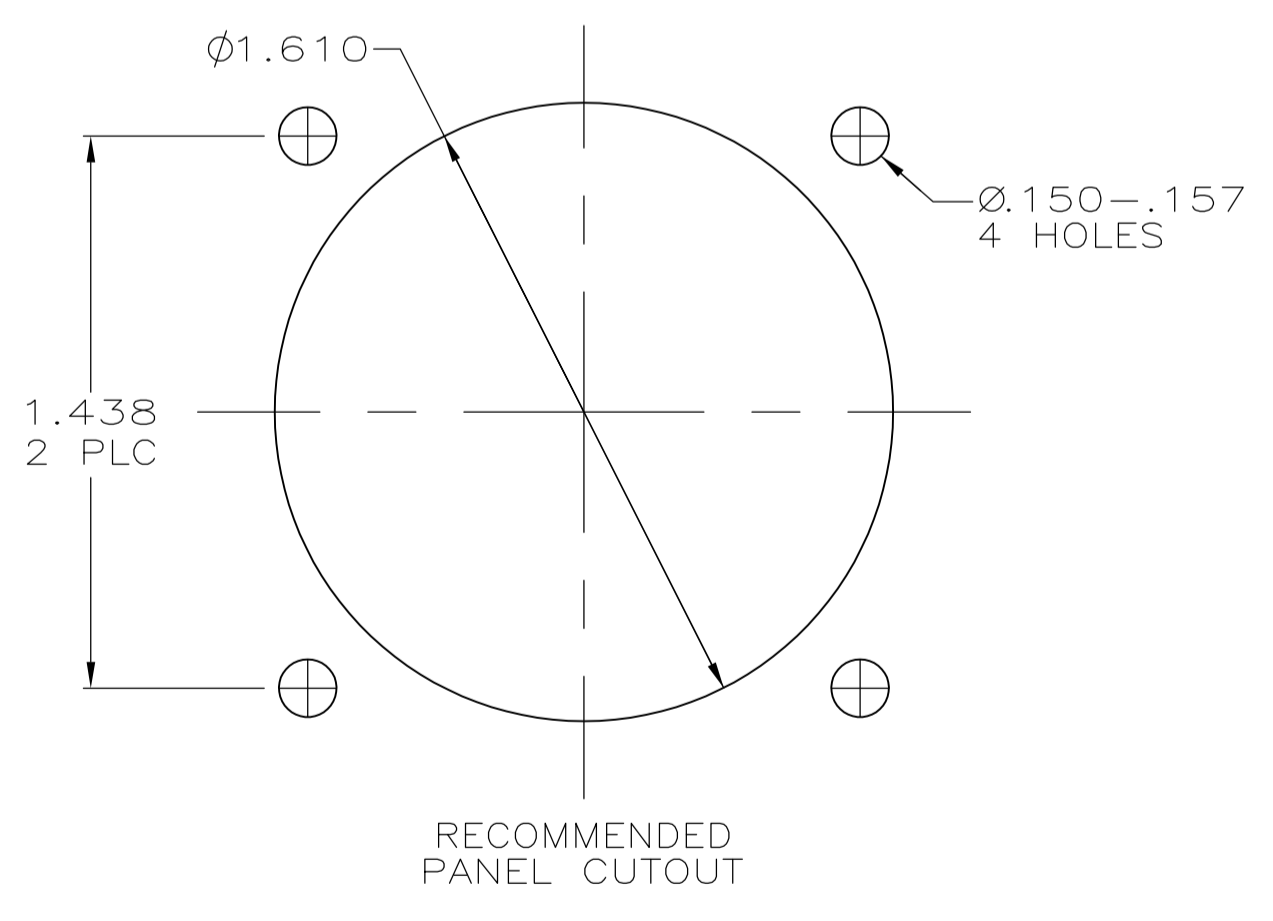
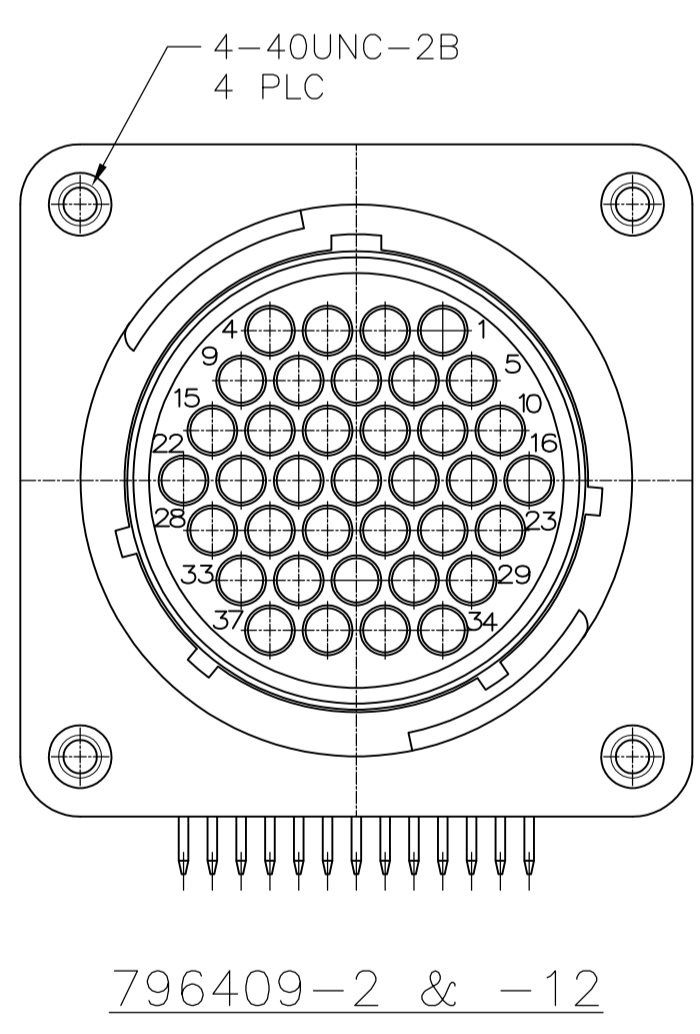
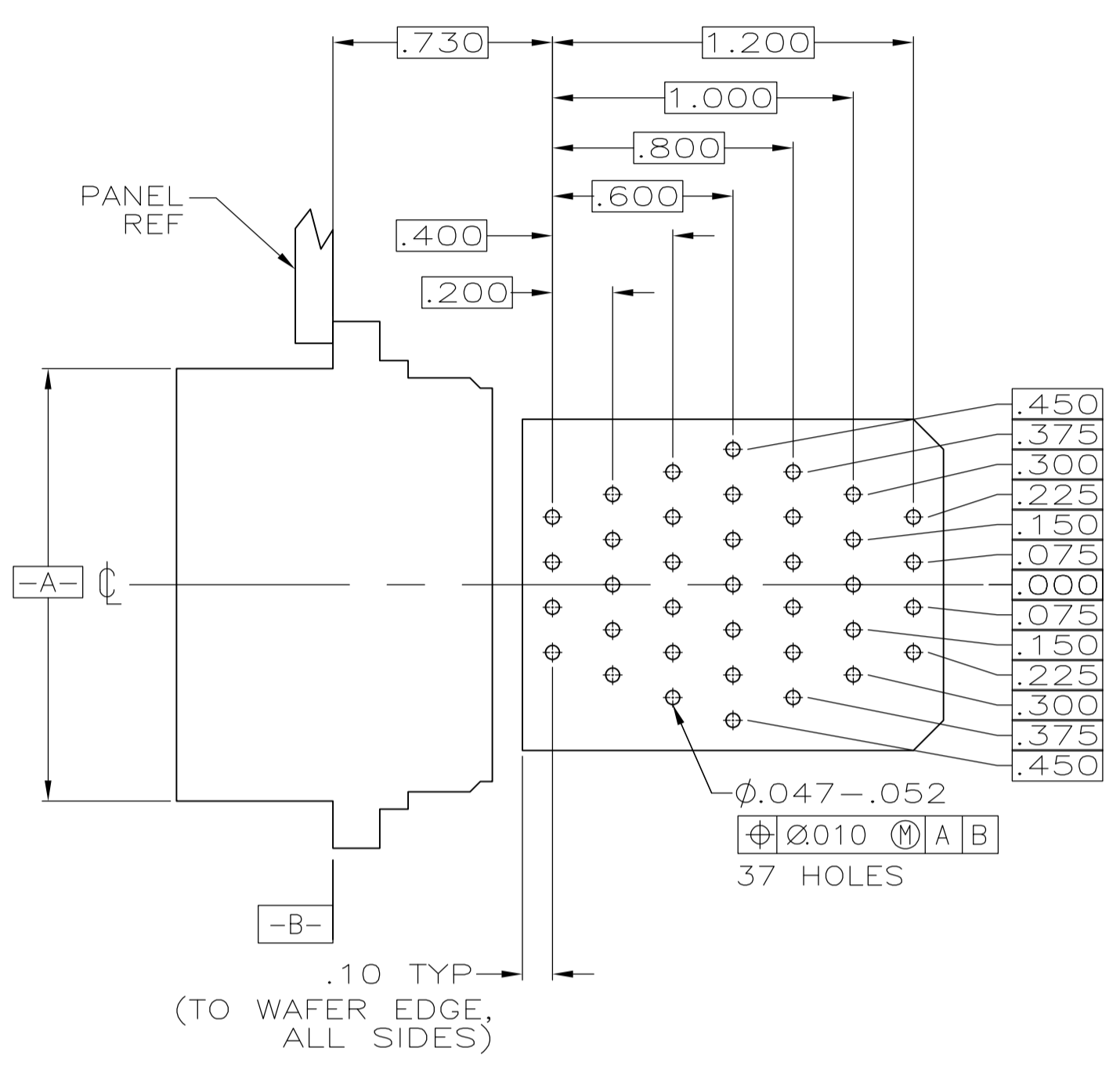
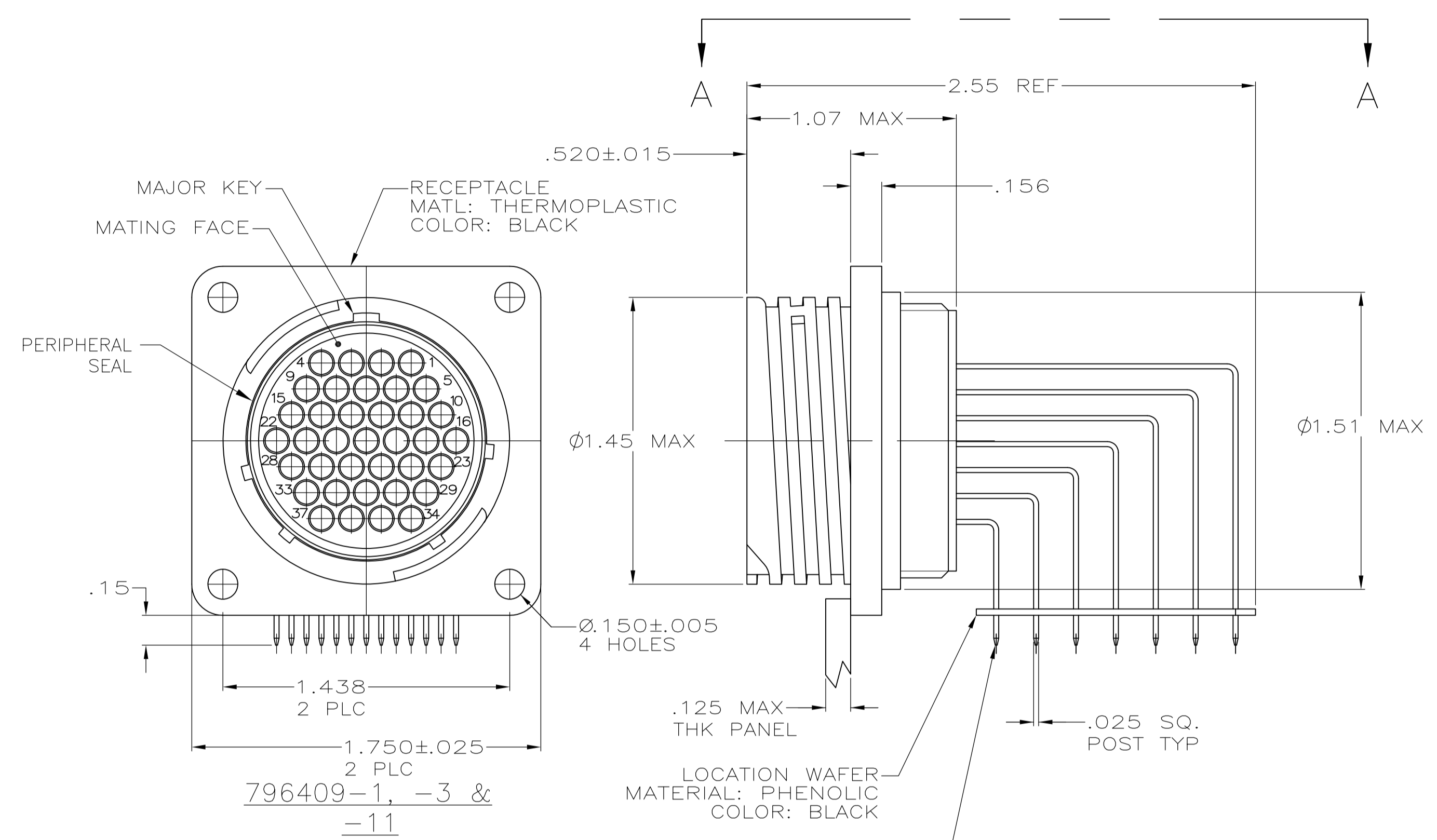


REVISIONS					
REV	DATE	DESCRIPTION	BY	CHK	APPV
F1	10SEP2016	REVISED PER ECO-16-004800	NK	MZ	
G	27FEB2017	REVISED PER ECR-16-016548	RS	MZ	



- CONTACT CAVITIES IDENTIFIED BY CHARACTERS ON FRONT AND REAR FACES OF CONNECTOR.
- #6 FASTENER RECOMMENDED FOR MOUNTING.
- CONTACT BODY: .000030 MIN GOLD FOR A LENGTH OF .200 MIN FROM MATING END, WITH REMAINDER TO BE GOLD FLASH, BOTH OVER .000050 MIN NICKEL.
CONTACT POST: .000100 MIN TIN-LEAD OVER .000100 MIN COPPER.
- PC BOARD HOLE PATTERN IS DEFINED RELATIVE TO CONNECTOR C.L. AND PANEL MOUNTING FACE INDICATED.
- CONTACT BODY: .000030 MIN GOLD FOR A LENGTH OF .200 MIN FROM MATING END, WITH REMAINDER TO BE GOLD FLASH, BOTH OVER .000050 MIN NICKEL.
CONTACT POST: .000100 MIN TIN OVER .000100 MIN COPPER.

OBSOLETE	NO	YES	PART NUMBER
	NO	YES	-1-796409-2-
	NO	NO	1-796409-1
OBSOLETE	YES	NO	-796409-3-
OBSOLETE	NO	YES	-796409-2-
OBSOLETE	NO	NO	-796409-1-

THIS DRAWING IS A CONTROLLED DOCUMENT.

DIN HAMNER 3-26-00
CHK M.CHACKO 3-27-00
APPV M.CHACKO 3-27-00

TE Connectivity

NAME RECEPTACLE ASSY, POSTED, RT ANGLE, RVS SEX, SIZE 23-37, SERIES 1, CPC

PRODUCT SPEC

APPLICATION SPEC

SIZE A1 CAGE CODE 00779 DRAWING NO 796409

WEIGHT

CUSTOMER DRAWING SCALE 2:1 SHEET 1 OF 1 REV G

X-ON Electronics

Largest Supplier of Electrical and Electronic Components

Click to view similar products for [Standard Circular Connector](#) category:

Click to view products by [TE Connectivity](#) manufacturer:

Other Similar products are found below :

[5M2530B10P](#) [600259N006](#) [600273N007](#) [6134-336-13149](#) [6134-337-11149](#) [6134-337-2390](#) [6134-341-17149](#) [6280-4SG-516](#) [6280-7SG-3DC](#)
[6290](#) [6291A](#) [66200A-10](#) [680-SMG](#) [681-PMG](#) [CXS3102A14S2P](#) [CXS3102A181S](#) [7271-6SG-300](#) [7282-3PG-300-CH3](#) [75-474618-01S](#) [75-](#)
[474618-04P](#) [75-474618-04S](#) [799539-000](#) [MI8-SE](#) [805-005-07NF11-19PC](#) [805-005-07NF15-7PA](#) [8280-4PG-516](#) [8280-7PG-519](#) [8282-5PG-](#)
[519](#) [836783-1](#) [MP-4102-25P-C](#) [862256-1](#) [864019-2](#) [866857-1](#) [867865-1](#) [PT01SP-14-18P](#) [PT08P-14-5S](#) [120-1833-000](#)
[QCM019PC2DC012B](#) [1-2069279-1](#) [121583-0217](#) [121667-0020](#) [129591AU](#) [1000B BULK](#) [RD10A16-19-P6CS051/1](#) [RD10A20-31-](#)
[P8CS051/1](#) [RD16A14-12-S6CS051/2](#) [1301240290](#) [1301240347](#) [1301860202](#) [1301240268](#) [1301240275](#)