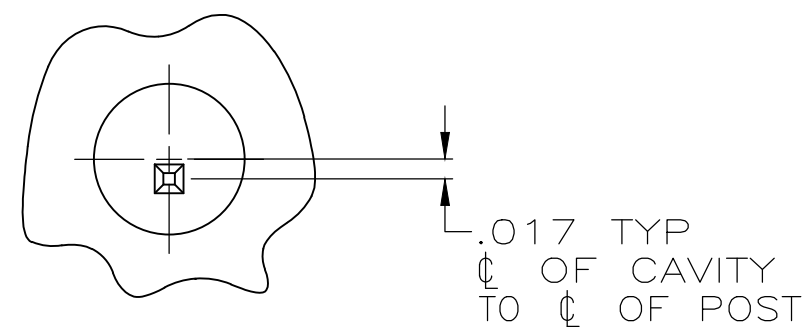
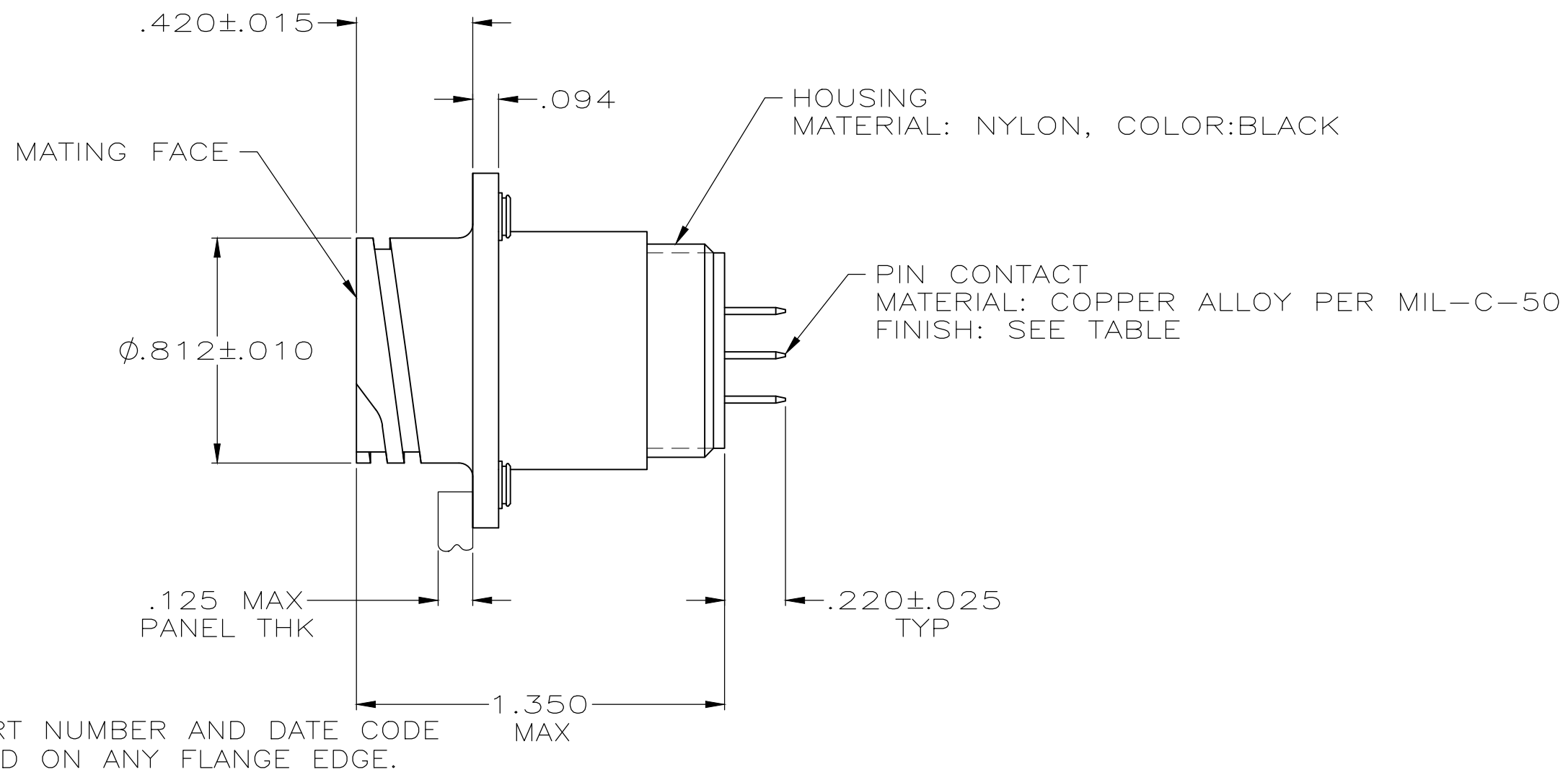
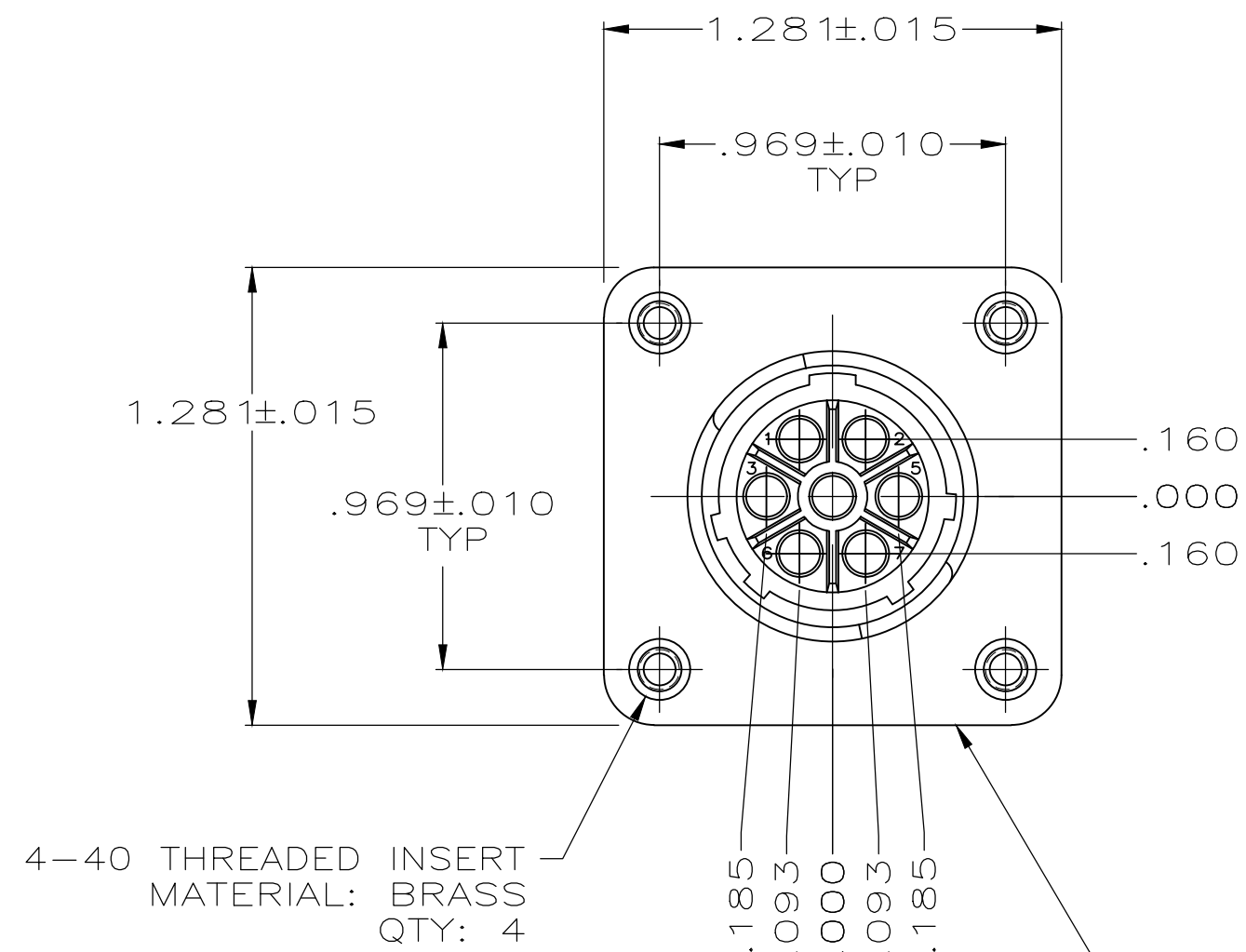


THIS DRAWING IS UNPUBLISHED. RELEASED FOR PUBLICATION
 © COPYRIGHT - By - ALL RIGHTS RESERVED.

| REVISIONS | | | | | |
|-----------|-----|---------------------------|-----------|-----|------|
| P | LTR | DESCRIPTION | DATE | DWN | APVD |
| A | | REVISED PER 0G3B-0100-05 | 5/4/05 | SS | HW |
| B | | REVISED PER ECO-16-018356 | 22MAR2017 | RS | MZ |
| C | | REVISED PER ECO-18-007248 | 17MAY2018 | KH | MZ |



POST ARRANGEMENT ON REAR FACE
 SCALE 6:1

NOTES:

- 1 CONTACT BODY: GOLD PER MIL-GL-45204 OVER NICKEL PER QQ-N-290. CONTACT POST: TIN-LEAD PER MIL-T-10727 OVER COPPER PER MIL-G-14550A.
- 2 CONTACT BODY: GOLD PER MIL-GL-45204 OVER NICKEL PER QQ-N-290. CONTACT POST: TIN PER MIL-T-10727 OVER COPPER PER MIL-G-14550A.

| | | |
|----------------|-------------|------------|
| OBSOLETE | 2 | 1-796433-1 |
| | 1 | 796433-1 |
| CONTACT FINISH | PART NUMBER | |

| | | | | |
|--|--|-----------------------|--|-----------------|
| THIS DRAWING IS A CONTROLLED DOCUMENT. | | DWN S.WELDON 23FEB00 | | |
| DIMENSIONS: INCHES | | CHK M.CHACKO 24FEB00 | | |
| TOLERANCES UNLESS OTHERWISE SPECIFIED: | | APVD M.CHACKO 24FEB00 | NAME | |
| 0 PLC ± - | | PRODUCT SPEC | RECEPTACLE ASSY, POSTED, STD SEX, SERIES 1, SIZE 13-7, CPC | |
| 1 PLC ± - | | APPLICATION SPEC | SIZE A2 | CAGE CODE 00779 |
| 2 PLC ± 0.13 [.005] | | WEIGHT - | DRAWING NO C-796433 | RESTRICTED TO - |
| 3 PLC ± - | | CUSTOMER DRAWING | SCALE 2:1 | SHEET 1 of 1 |
| 4 PLC ± - | | | REV C | |
| ANGLES ± - | | | | |
| FINISH - | | | | |

X-ON Electronics

Largest Supplier of Electrical and Electronic Components

Click to view similar products for [Standard Circular Connector](#) category:

Click to view products by [TE Connectivity](#) manufacturer:

Other Similar products are found below :

[5M2530B10P](#) [600259N006](#) [600273N007](#) [6134-336-13149](#) [6134-337-11149](#) [6134-337-2390](#) [6134-341-17149](#) [6280-4SG-516](#) [6280-7SG-3DC](#)
[6290](#) [6291A](#) [66200A-10](#) [680-SMG](#) [681-PMG](#) [CXS3102A14S2P](#) [CXS3102A181S](#) [7251-5SG-300](#) [7271-6SG-300](#) [7282-3PG-300-CH3](#) [75-](#)
[474618-01S](#) [75-474618-04P](#) [75-474618-04S](#) [799539-000](#) [MI8-SE](#) [805-005-07NF11-19PC](#) [805-005-07NF15-7PA](#) [8280-4PG-516](#) [8280-7PG-](#)
[519](#) [8282-5PG-519](#) [836783-1](#) [MP-4102-25P-C](#) [862256-1](#) [864019-2](#) [866857-1](#) [867865-1](#) [PT01SP-14-18P](#) [PT08P-14-5S](#) [PTSF06SE-14-12S](#)
[120-1833-000](#) [QCM019PC2DC012B](#) [1-2069279-1](#) [121583-0217](#) [121667-0020](#) [129591AU](#) [1000B BULK](#) [RD10A16-19-P6CS051/1](#)
[RD10A20-31-P8CS051/1](#) [RD16A14-12-S6CS051/2](#) [1301240290](#) [1301240347](#) [1301860202](#)