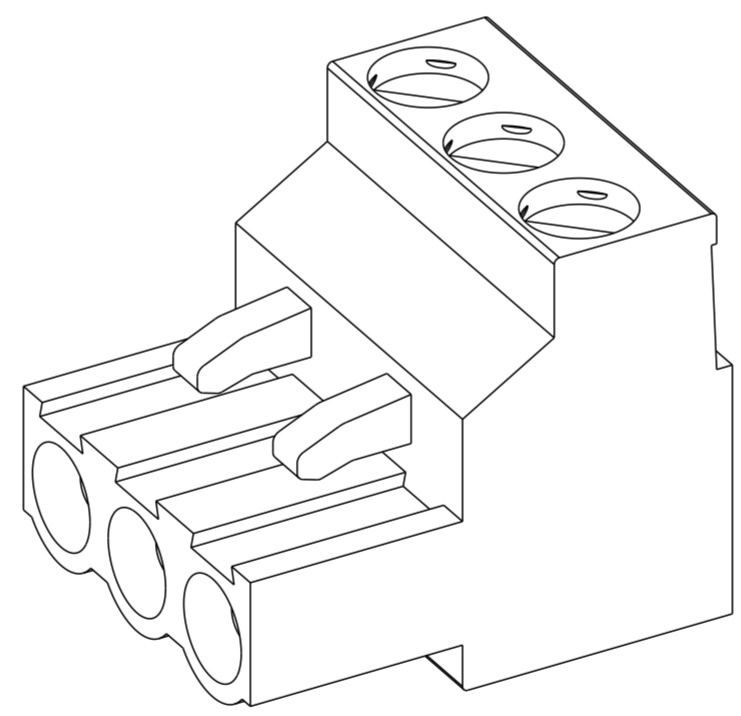
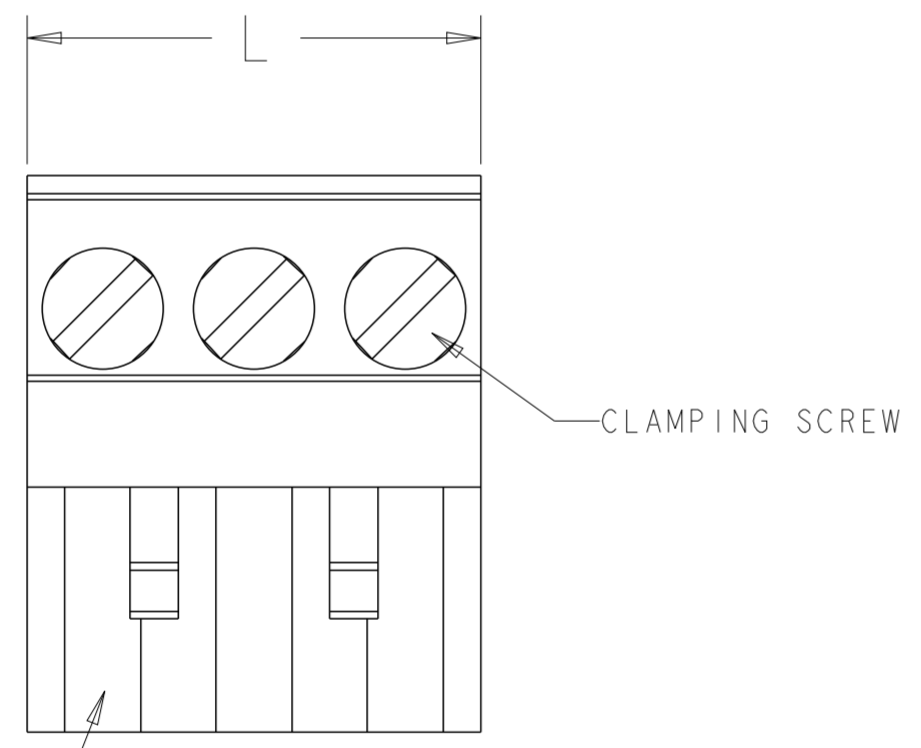
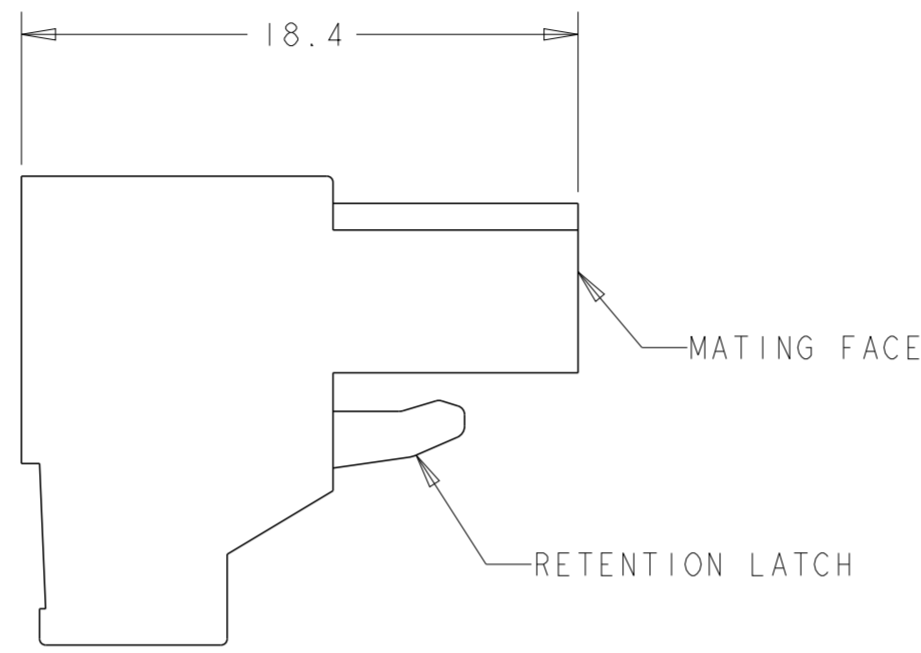
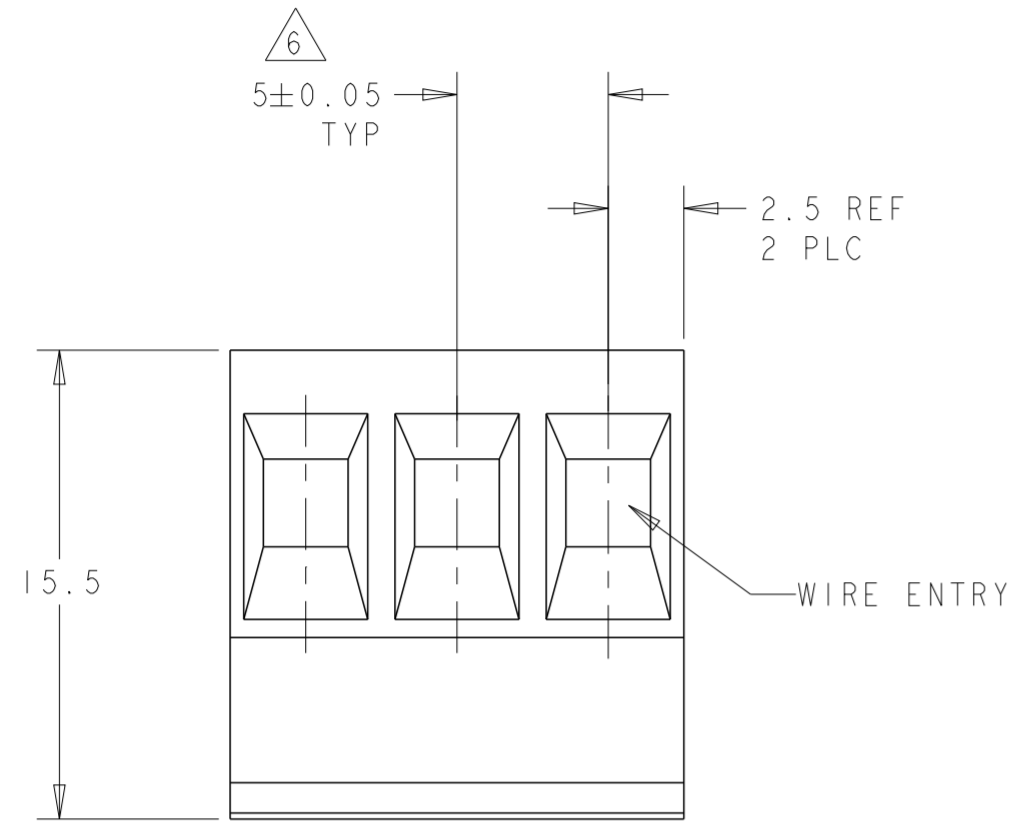


THIS DRAWING IS UNPUBLISHED. RELEASED FOR PUBLICATION 20
 © COPYRIGHT 20 BY - ALL RIGHTS RESERVED.

REVISIONS						
P	LTR	DESCRIPTION	DATE	DWN	APVD	
F13		PN 6-796640-6 RELEASED FOR PRODUCTION	04DEC2018	RK	PS	
F14		6-796640-6 PART OBSOLETE	28AUG2020	DV	PS	



MARKING	SPECIAL	L	NO OF POSN	PART NUMBER
TIN	MARK 4 TO 1	20.00	4	5-796640-4
TIN	MARK 3 TO 1	15.00	3	5-796640-3
TIN	MARK 1 TO 3	15.00	3	5-796640-2
TIN	MARK 1 TO 3	15.00	3	5-796640-1
TIN	MARK 1 TO 4	20.00	4	5-796640-0
TIN	MARK 15 TO 28	70.00	14	4-796640-9
TIN	MARK 13 TO 24	60.00	12	4-796640-8
TIN	MARK 1 TO 14	70.00	14	4-796640-7
OBSOLETE	MARK 1 TO 12	60.00	12	4-796640-6
TIN	MARK 1 TO 7	35.00	7	4-796640-5
OBSOLETE	MARK 1 TO 5	25.00	5	4-796640-4
OBSOLETE	MARK 11 TO 15	25.00	5	4-796640-3
TIN	DETAIL S	35.00	7	4-796640-2
TIN	MARK 1 TO 3	15.00	3	4-796640-1
TIN	DETAIL P	20.00	4	4-796640-0
TIN	MARK 1 TO 8	40.00	8	3-796640-9
TIN	MARK 37 TO 54	90.00	18	3-796640-8
TIN	MARK 19 TO 36	90.00	18	3-796640-7
TIN	MARK 1 TO 18	90.00	18	3-796640-6
TIN	MARK 1 TO 10	50.00	10	3-796640-5
OBSOLETE	MARK 1 TO 8	40.00	8	3-796640-4
TIN	DETAIL N	30.00	6	3-796640-3
TIN	MARK 1 TO 6	30.00	6	2-796640-9
TIN	-	125.00	25	2-796640-5
TIN	-	120.00	24	2-796640-4
TIN	-	115.00	23	2-796640-3
TIN	-	110.00	22	2-796640-2
TIN	-	105.00	21	2-796640-1
TIN	-	100.00	20	2-796640-0
OBSOLETE	-	95.00	19	1-796640-9
TIN	-	90.00	18	1-796640-8
OBSOLETE	-	85.00	17	1-796640-7
TIN	-	80.00	16	1-796640-6
OBSOLETE	-	75.00	15	1-796640-5
TIN	-	70.00	14	1-796640-4
TIN	-	65.00	13	1-796640-3
TIN	-	60.00	12	1-796640-2
TIN	-	55.00	11	1-796640-1
TIN	-	50.00	10	1-796640-0
TIN	-	45.00	9	796640-9
TIN	-	40.00	8	796640-8
TIN	-	35.00	7	796640-7
TIN	-	30.00	6	796640-6
TIN	-	25.00	5	796640-5
TIN	-	20.00	4	796640-4
TIN	-	15.00	3	796640-3
TIN	-	10.00	2	796640-2

THIS DRAWING IS A CONTROLLED DOCUMENT. DWN S. WELDON 18OCT2000
 CHK D. BIEVENOUR 18OCT2000
 APVD D. BIEVENOUR 18OCT2000

STE TE Connectivity

NAME: TERMINAL BLOCK, PLUG, STACKING
 5.00mm PITCH

SIZE: A2 CAGE CODE: 00779 DRAWING NO: C-796640
 RESTRICTED TO: -

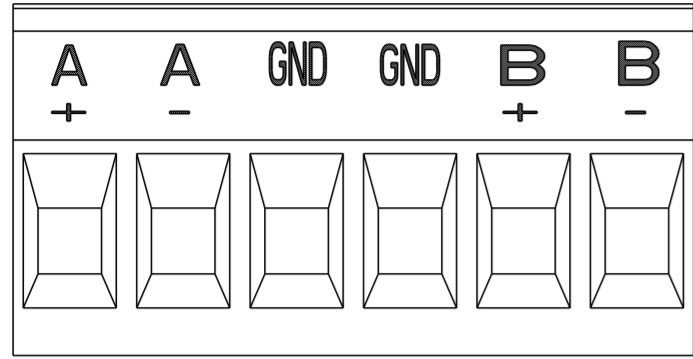
MATERIAL: SEE NOTES TOLERANCES UNLESS OTHERWISE SPECIFIED: SEE NOTES
 DIMENSIONS: mm
 0 PLC ±0.3
 1 PLC ±0.3
 2 PLC ±0.25
 3 PLC ±0.25
 4 PLC ±0.25
 ANGLES ±2
 FINISH

APPLICATION SPEC: -
 WEIGHT: -
 CUSTOMER DRAWING

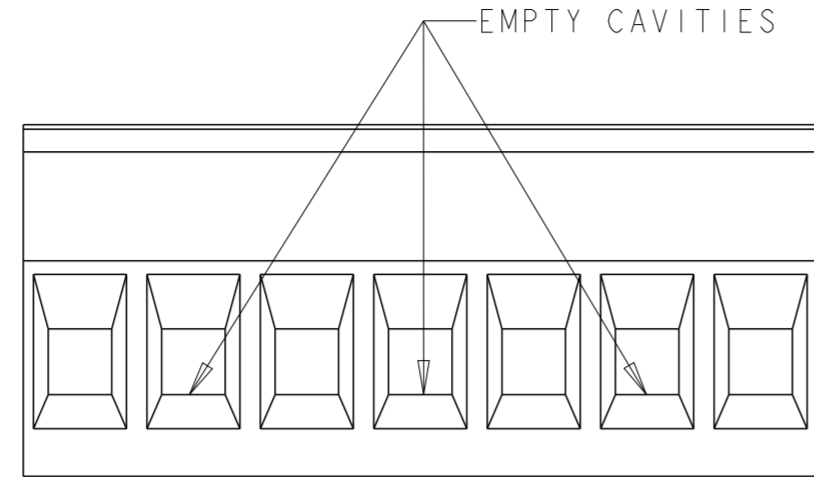
SCALE: 2:1 SHEET 1 OF 3 REV: F14

THIS DRAWING IS UNPUBLISHED. RELEASED FOR PUBLICATION 20
 © COPYRIGHT 20 BY - ALL RIGHTS RESERVED.

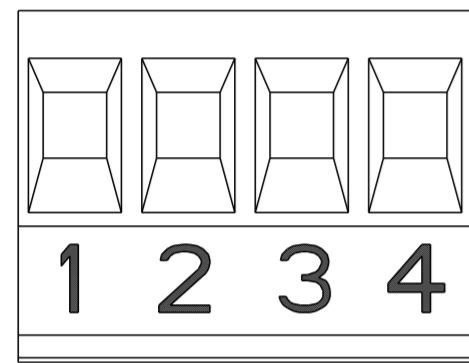
LOC		DIST		REVISIONS			
P	LTR	DESCRIPTION	DATE	DWN	APVD		
-	-	SEE SHEET 1	-	-	-		



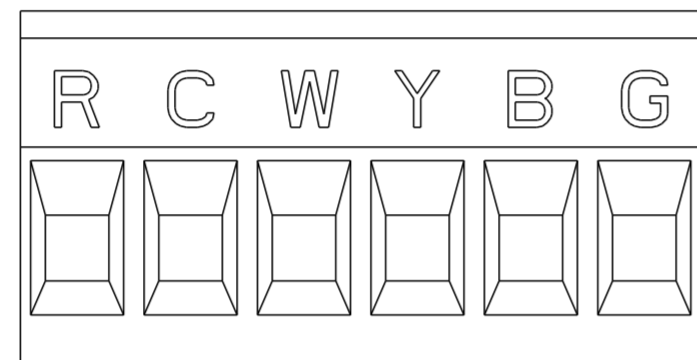
DETAIL N



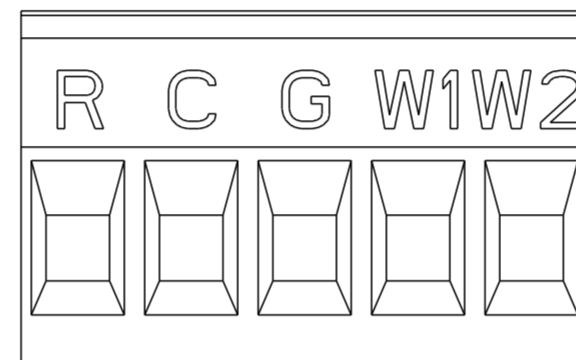
DETAIL S



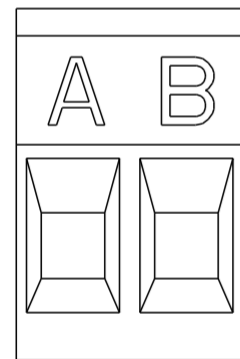
DETAIL P



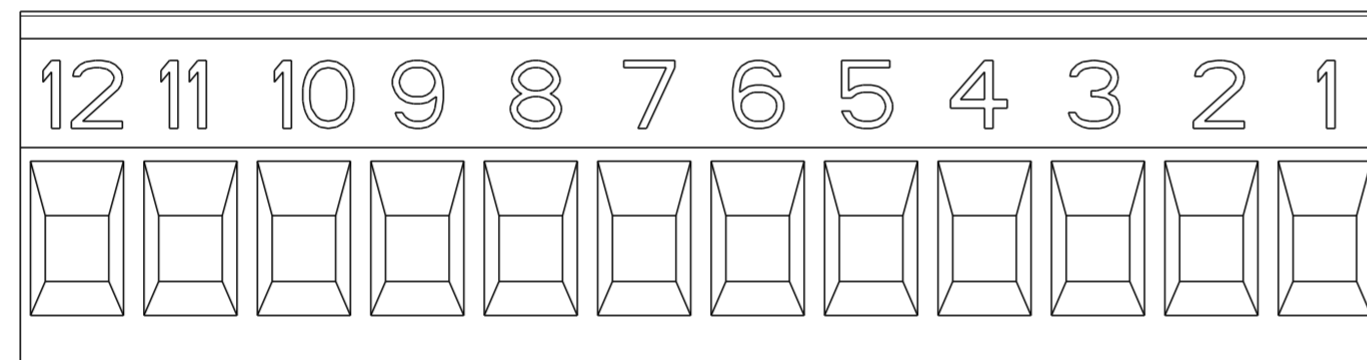
DETAIL T



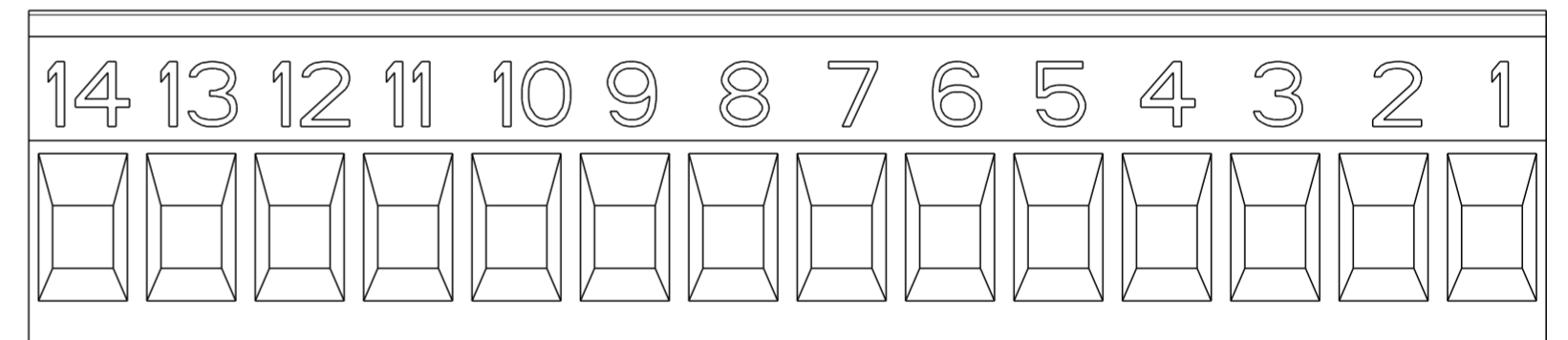
DETAIL Z



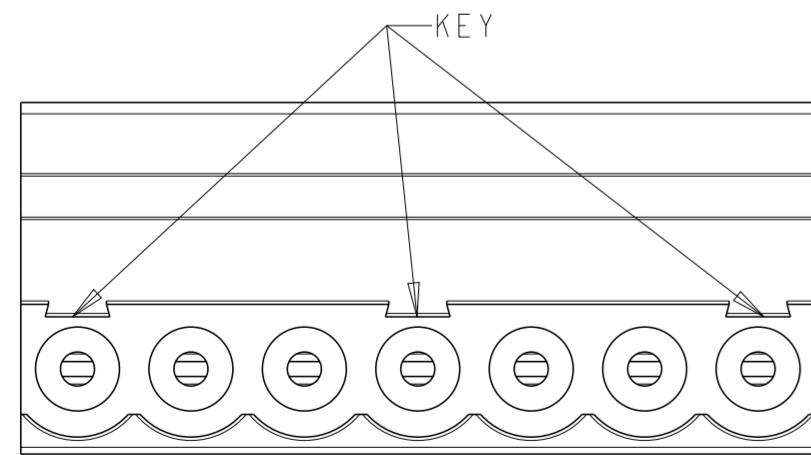
DETAIL U



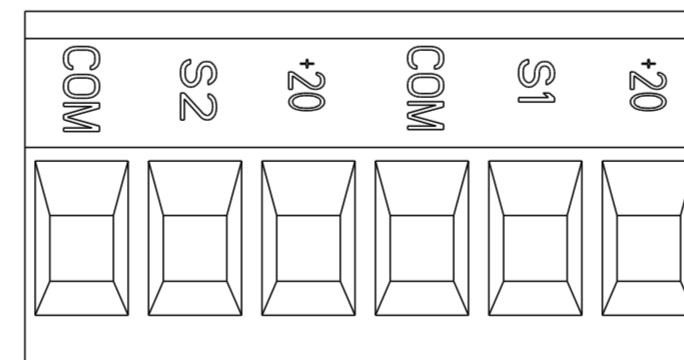
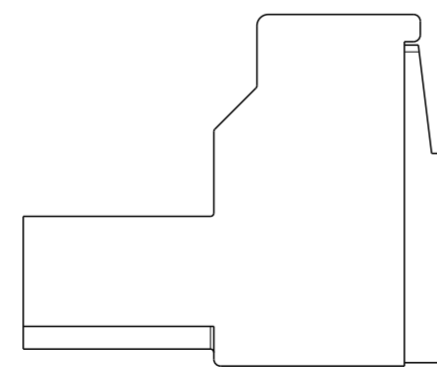
DETAIL V



DETAIL X



DETAIL W



DETAIL Y

OBSOLETE	TIN	$\Delta 7$	DETAIL Z	25.00	5	6-796640-6
	TIN	$\Delta 7$	DETAIL Y	30.00	6	6-796640-5
OBSOLETE	TIN	$\Delta 7$ $\Delta 14$	DETAIL X	70.00	14	6-796640-4
	TIN	-	DETAIL W, NO LATCH KEY POSN 1,4,7	35.00	7	6-796640-1
OBSOLETE	TIN	$\Delta 7$ $\Delta 14$	DETAIL V	60.00	12	6-796640-0
	GOLD FLASH	-	-	35.00	7	5-796640-9
OBSOLETE	TIN	$\Delta 7$	DETAIL U	10.00	2	5-796640-8
	TIN	$\Delta 7$	DETAIL T	30.00	6	5-796640-7
OBSOLETE	TIN	$\Delta 7$ $\Delta 9$	MARK 13 TO 24	60.00	12	5-796640-6
	TIN	$\Delta 7$ $\Delta 9$	MARK 25 TO 38	70.00	14	5-796640-5
	TERMINAL PLATING	MARKING	SPECIAL	L	NO OF POSN	PART NUMBER

THIS DRAWING IS A CONTROLLED DOCUMENT.

DIMENSIONS: mm	TOLERANCES UNLESS OTHERWISE SPECIFIED: 0 PLC \pm 1 PLC ± 0.3 2 PLC ± 0.25 3 PLC \pm 4 PLC \pm ANGLES ± 2 FINISH	DWN S. WELDON 18OCT2000 CHK D. BIEVENOUR 18OCT2000 APVD D. BIEVENOUR 18OCT2000	TE Connectivity NAME TERMINAL BLOCK, PLUG, STACKING 5.00mm PITCH
MATERIAL	SEE NOTES	PRODUCT SPEC APPLICATION SPEC WEIGHT	


SCALE 3:1 SHEET 2 OF 3 REV F14

THIS DRAWING IS UNPUBLISHED. RELEASED FOR PUBLICATION 20
 © COPYRIGHT 20 BY - ALL RIGHTS RESERVED.

LOC		DIST		REVISIONS			
P	LTR	DESCRIPTION	DATE	DWN	APVD		
-	-	SEE SHEET 1	-	-	-		

NOTES:

- 1. MATERIALS AND FINISH:
 HOUSING: PA 6-6, UL 94-V0, COLOR: GREEN.
 CLAMP: BRASS, NICKEL PLATED.
 DOUBLE SIDE CONTACT SPRING: PHOSPHOR BRONZE, PLATING: SEE TABLE.
 CLAMPING SCREW: M3, BRASS, NICKEL PLATED.
- 2. END-TO-END STACKABLE WITHOUT LOSS OF CENTERLINE SPACING.
- 3. MECHANICAL
 WIRE STRIPPING LENGTH : 6.0-7.5 mm
 RECOMMENDED TIGHTENING TORQUE FOR SCREW : 0.5 Nm.
- 4. ELECTRICAL
 WIRE RANGE : 12-30 AWG
 MAX. VOLTAGE : 300 V
 MAX CURRENT : 15 A
 CONTACT RESISTANCE : <15 m Ohm
 INSULATION RESISTANCE : >1000 M Ohm (500V DC)
- 5. RECOGNIZED UNDER THE COMPONENT PROGRAM OF UNDERWRITERS LABORATORIES INC. FILE NO E60677.
- 6. NOT CUMULATIVE TOLERANCE
- 7. INK MARKING: BLACK COLOR.
- 8. INK MARKING: WHITE COLOR.
- 9. NUMERICAL SEQUENCE: FROM LEFT TO RIGHT, WIRE ENTRY SIDE.
- 10. RETENTION LATCHES REMOVED
- 11. BUCHANAN LOGO TO APPEAR ON HOUSING, LOCATION OPTIONAL WHERE SPACE PERMITS.
- 12. WIRE ENTRY CLOSED.
- 13. PRELIMINARY - NOT FOR PRODUCTION.
- 14. NUMERICAL SEQUENCE: FROM RIGHT TO LEFT, WIRE ENTRY SIDE.
- 15. OPERATING TEMPERATURE RANGE: -40°C TO +105°C

THIS DRAWING IS A CONTROLLED DOCUMENT.		DWN S. WELDON	18OCT2000	 TE Connectivity	
DIMENSIONS: mm		CHK D. BIEVENOUR	18OCT2000		
TOLERANCES UNLESS OTHERWISE SPECIFIED: 0 PLC ± 1 PLC ±0.3 2 PLC ±0.25 3 PLC ± 4 PLC ± ANGLES ±2		APVD D. BIEVENOUR	18OCT2000	NAME TERMINAL BLOCK, PLUG, STACKING 5.00mm PITCH	
MATERIAL		FINISH	PRODUCT SPEC -	APPLICATION SPEC -	RESTRICTED TO
SEE NOTES		SEE NOTES		SIZE A2	CAGE CODE 00779
CUSTOMER DRAWING		WEIGHT -		DRAWING NO G-796640	SCALE 2:1
				SHEET 3	OF 3
				REV F14	

X-ON Electronics

Largest Supplier of Electrical and Electronic Components

Click to view similar products for [Pluggable Terminal Blocks](#) category:

Click to view products by [TE Connectivity](#) manufacturer:

Other Similar products are found below :

[57.510.0053](#) [MC 1.5/ 6-ST-3.5 GY AU](#) [734-104](#) [734-302](#) [8-141-P](#) [8426620000](#) [860505](#) [860516](#) [860810](#) [GBPACX-12](#) [93.731.4953.0](#) [PV05-5,08-K](#) [PVP02-5,00](#) [PVP03-3,50](#) [PVP04-3,50](#) [PVS02-5,00](#) [1-1986160-3](#) [1377680000](#) [1531000000](#) [1546228-5](#) [ELFH16150](#) [ELFP03110](#) [ELFP10210](#) [ELFT06250](#) [ELVP03100](#) [1700101](#) [1700410](#) [1700425](#) [1702246](#) [1705229](#) [1710175](#) [1714537](#) [1717806](#) [1719600](#) [1728941](#) [1734692](#) [1734795](#) [1736036](#) [1740194](#) [1740291](#) [1740628](#) [1740990](#) [1746952](#) [1750207](#) [1752441](#) [1752865](#) [1754115](#) [1754144](#) [1756913](#) [1760051](#)