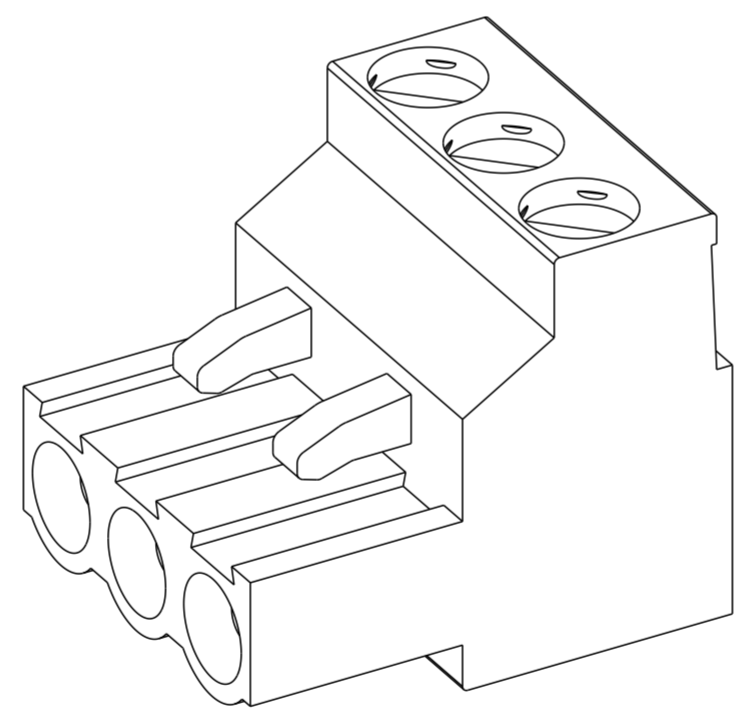
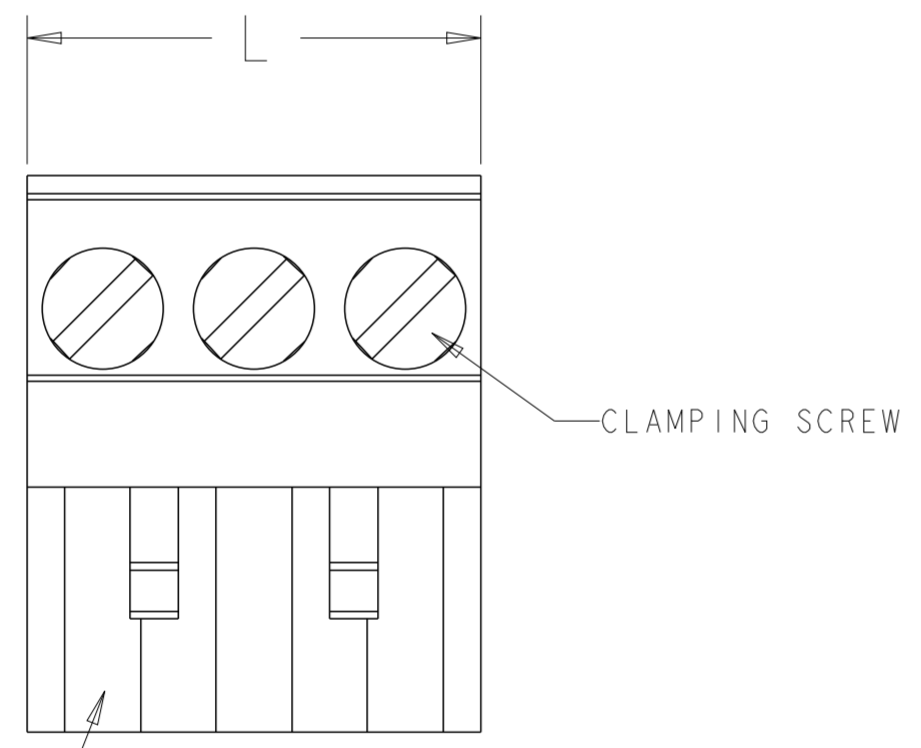
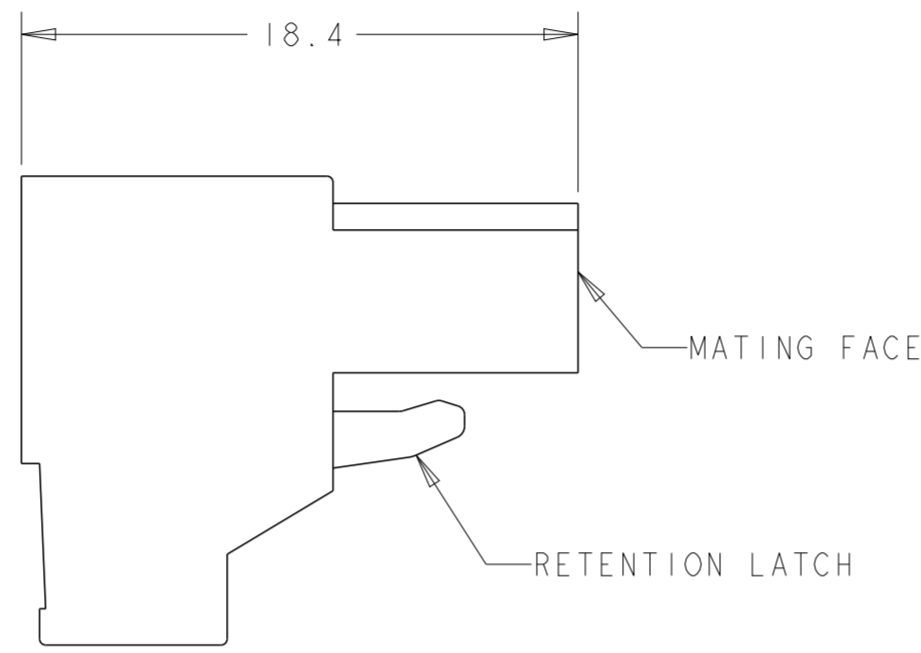
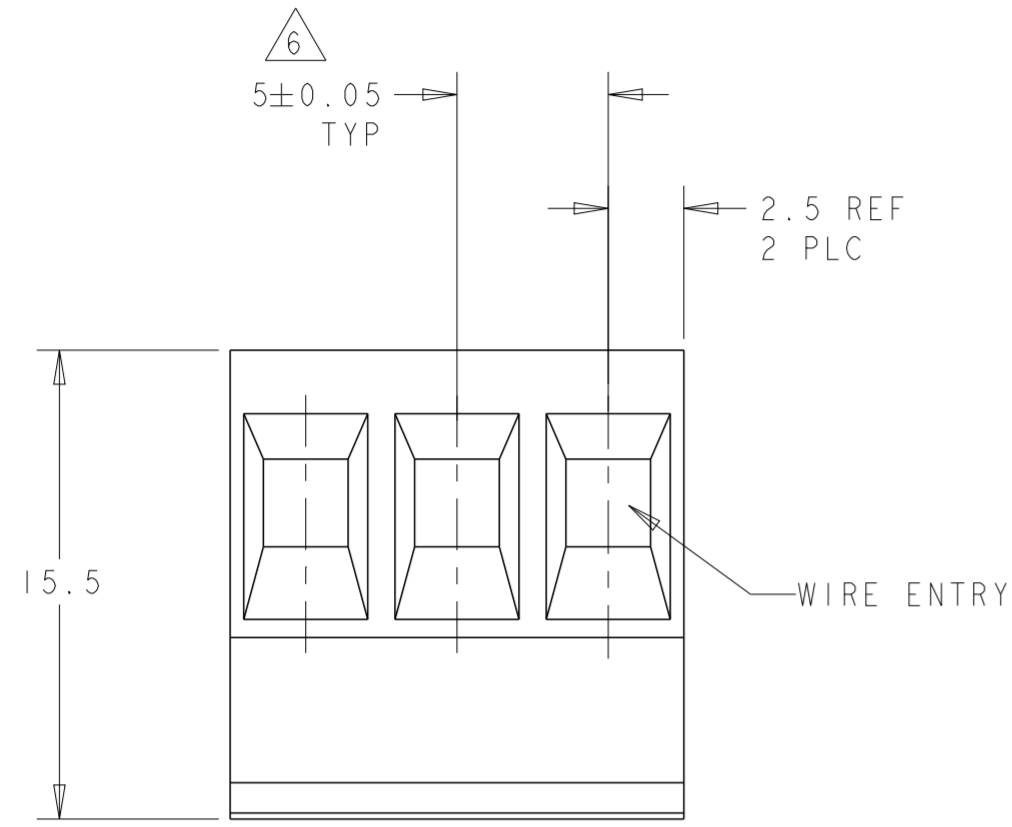


THIS DRAWING IS UNPUBLISHED. RELEASED FOR PUBLICATION 20
 © COPYRIGHT 20 BY - ALL RIGHTS RESERVED.

LOC		DIST		REVISIONS			
P	LTR	DESCRIPTION		DATE	DWN	APVD	
F13		PN 6-796640-6 RELEASED FOR PRODUCTION		04DEC2018	RK	PS	
F14		6-796640-6 PART OBSOLETE		28AUG2020	DV	PS	



MARKING	SPECIAL	L	NO OF POSN	PART NUMBER
TIN	MARK 4 TO 1	20.00	4	5-796640-4
TIN	MARK 3 TO 1	15.00	3	5-796640-3
TIN	MARK 1 TO 3	15.00	3	5-796640-2
TIN	MARK 1 TO 3	15.00	3	5-796640-1
TIN	MARK 1 TO 4	20.00	4	5-796640-0
TIN	MARK 15 TO 28	70.00	14	4-796640-9
TIN	MARK 13 TO 24	60.00	12	4-796640-8
TIN	MARK 1 TO 14	70.00	14	4-796640-7
OBSOLETE	MARK 1 TO 12	60.00	12	4-796640-6
TIN	MARK 1 TO 7	35.00	7	4-796640-5
OBSOLETE	MARK 1 TO 5	25.00	5	4-796640-4
OBSOLETE	MARK 11 TO 15	25.00	5	4-796640-3
TIN	DETAIL S	35.00	7	4-796640-2
TIN	MARK 1 TO 3	15.00	3	4-796640-1
TIN	DETAIL P	20.00	4	4-796640-0
TIN	MARK 1 TO 8	40.00	8	3-796640-9
TIN	MARK 37 TO 54	90.00	18	3-796640-8
TIN	MARK 19 TO 36	90.00	18	3-796640-7
TIN	MARK 1 TO 18	90.00	18	3-796640-6
TIN	MARK 1 TO 10	50.00	10	3-796640-5
OBSOLETE	MARK 1 TO 8	40.00	8	3-796640-4
TIN	DETAIL N	30.00	6	3-796640-3
TIN	MARK 1 TO 6	30.00	6	2-796640-9
TIN	-	125.00	25	2-796640-5
TIN	-	120.00	24	2-796640-4
TIN	-	115.00	23	2-796640-3
TIN	-	110.00	22	2-796640-2
TIN	-	105.00	21	2-796640-1
TIN	-	100.00	20	2-796640-0
OBSOLETE	-	95.00	19	1-796640-9
TIN	-	90.00	18	1-796640-8
OBSOLETE	-	85.00	17	1-796640-7
TIN	-	80.00	16	1-796640-6
OBSOLETE	-	75.00	15	1-796640-5
TIN	-	70.00	14	1-796640-4
TIN	-	65.00	13	1-796640-3
TIN	-	60.00	12	1-796640-2
TIN	-	55.00	11	1-796640-1
TIN	-	50.00	10	1-796640-0
TIN	-	45.00	9	796640-9
TIN	-	40.00	8	796640-8
TIN	-	35.00	7	796640-7
TIN	-	30.00	6	796640-6
TIN	-	25.00	5	796640-5
TIN	-	20.00	4	796640-4
TIN	-	15.00	3	796640-3
TIN	-	10.00	2	796640-2

THIS DRAWING IS A CONTROLLED DOCUMENT. DWN S. WELDON 18OCT2000
 CHK D. BIEVENOUR 18OCT2000
 APVD D. BIEVENOUR 18OCT2000

STE TE Connectivity

NAME: TERMINAL BLOCK, PLUG, STACKING 5.00mm PITCH

SIZE: A2 CAGE CODE: 00779 DRAWING NO: C-796640 RESTRICTED TO: -

MATERIAL: SEE NOTES TOLERANCES UNLESS OTHERWISE SPECIFIED: SEE NOTES

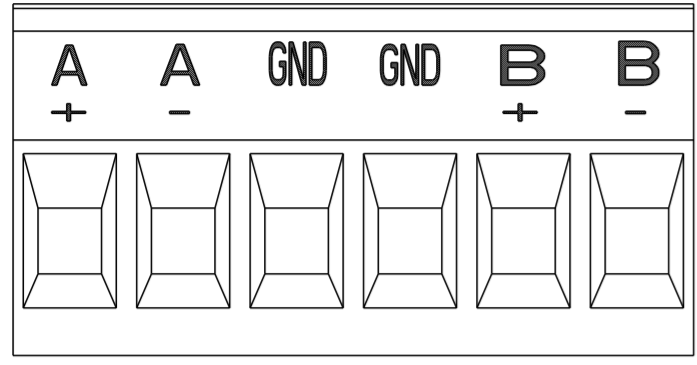
0 PLC ±0.3
 1 PLC ±0.3
 2 PLC ±0.25
 3 PLC ±
 4 PLC ±
 ANGLES ±2
 FINISH

APVD: PRODUCT SPEC, APPLICATION SPEC, WEIGHT: -

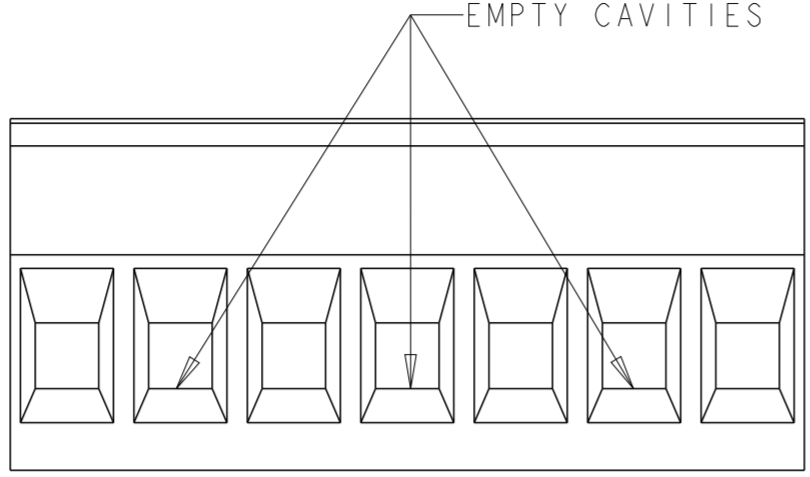
CUSTOMER DRAWING SCALE: 2:1 SHEET 1 OF 3 REV: F14

THIS DRAWING IS UNPUBLISHED. RELEASED FOR PUBLICATION 20
 © COPYRIGHT 20 BY - ALL RIGHTS RESERVED.

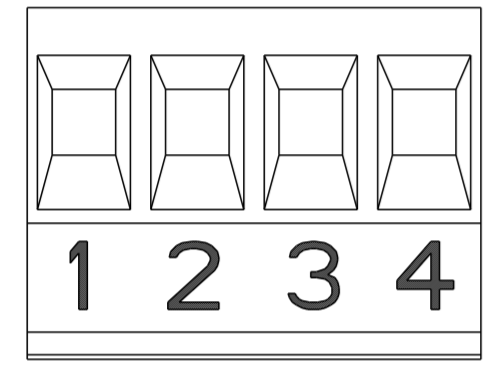
LOC		DIST		REVISIONS			
P	LTR	DESCRIPTION	DATE	DWN	APVD		
-	-	SEE SHEET 1	-	-	-		



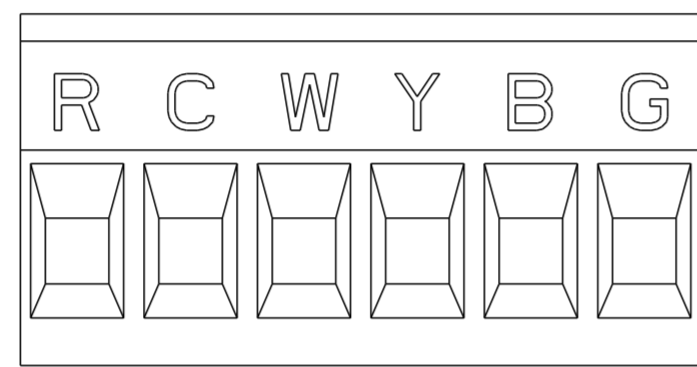
DETAIL N



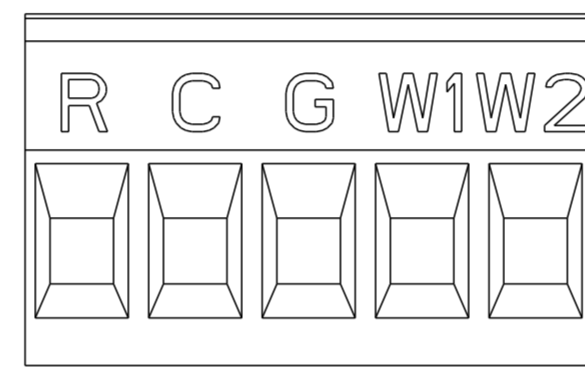
DETAIL S



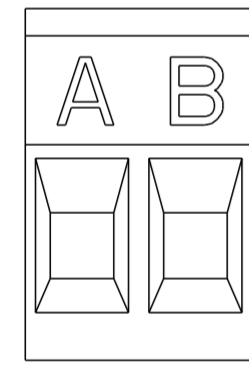
DETAIL P



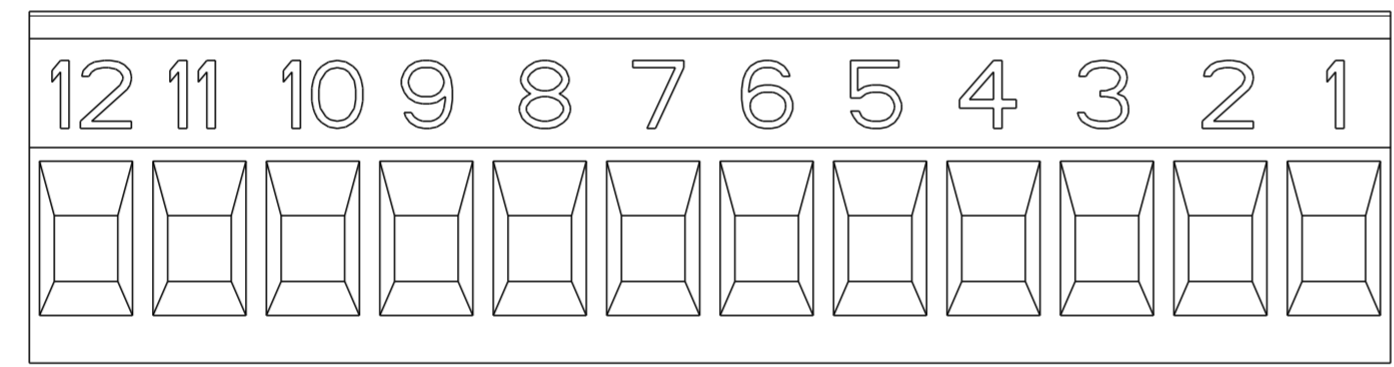
DETAIL T



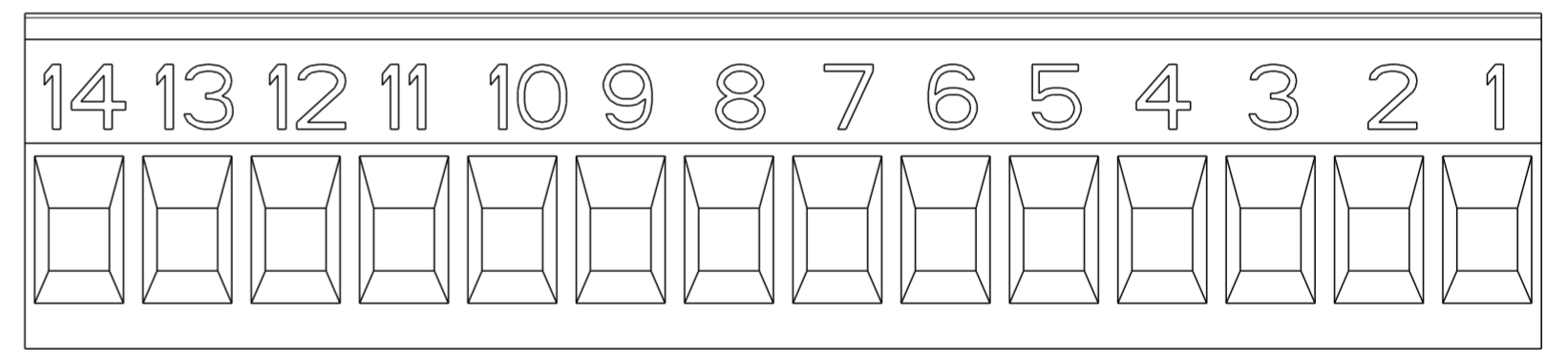
DETAIL Z



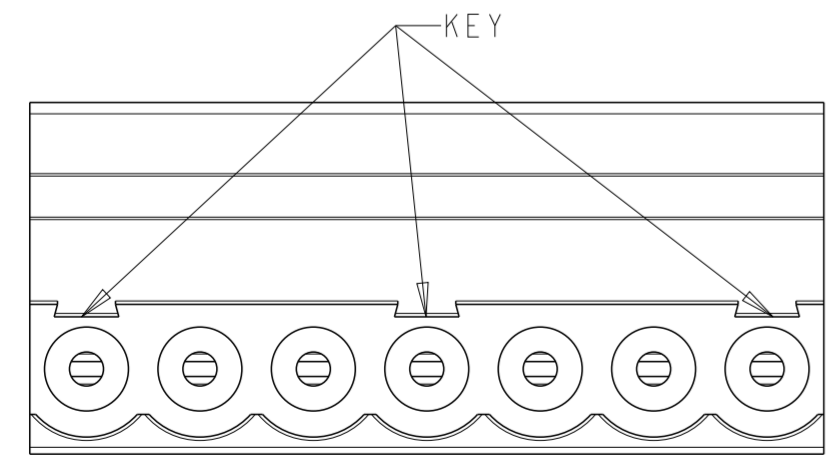
DETAIL U



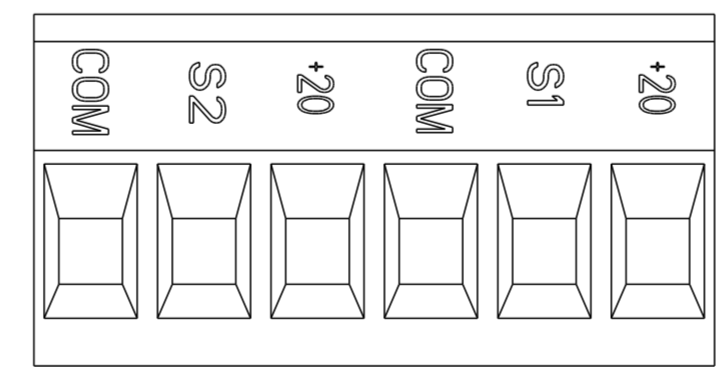
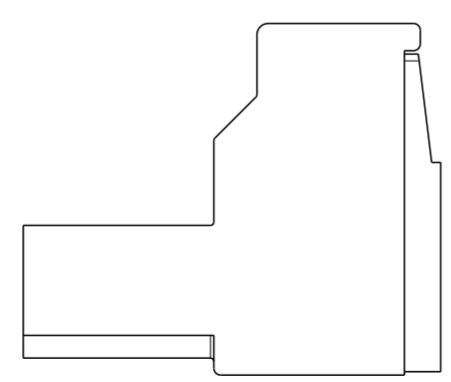
DETAIL V



DETAIL X



DETAIL W



DETAIL Y

REVISION	DESCRIPTION	DATE	NO OF POSN	PART NUMBER
OBSOLETE	TIN	7	5	6-796640-6
OBSOLETE	TIN	7	6	6-796640-5
OBSOLETE	TIN	7, 14	14	6-796640-4
OBSOLETE	TIN	-	7	6-796640-1
OBSOLETE	TIN	7, 14	12	6-796640-0
OBSOLETE	GOLD FLASH	-	7	5-796640-9
OBSOLETE	TIN	7	2	5-796640-8
OBSOLETE	TIN	7	6	5-796640-7
OBSOLETE	TIN	7, 9	12	5-796640-6
OBSOLETE	TIN	7, 9	14	5-796640-5
	TERMINAL PLATING	MARKING	SPECIAL	L
			NO OF POSN	PART NUMBER

THIS DRAWING IS A CONTROLLED DOCUMENT.

DIMENSIONS: mm

TOLERANCES UNLESS OTHERWISE SPECIFIED:

0 PLC	±
1 PLC	±0.3
2 PLC	±0.25
3 PLC	±
4 PLC	±
ANGLES	±2
FINISH	

SEE NOTES

STE TE Connectivity

NAME: TERMINAL BLOCK, PLUG, STACKING 5.00mm PITCH

SIZE: A2 CAGE CODE: 00779 DRAWING NO: C-796640


SCALE: 3:1 SHEET 2 OF 3 REV: F14

THIS DRAWING IS UNPUBLISHED. RELEASED FOR PUBLICATION 20
 © COPYRIGHT 20 BY - ALL RIGHTS RESERVED.

LOC		DIST		REVISIONS			
P	LTR	DESCRIPTION	DATE	DWN	APVD		
-	-	SEE SHEET 1	-	-	-		

NOTES:

- 1. MATERIALS AND FINISH:
 HOUSING: PA 6-6, UL 94-V0, COLOR: GREEN.
 CLAMP: BRASS, NICKEL PLATED.
 DOUBLE SIDE CONTACT SPRING: PHOSPHOR BRONZE, PLATING: SEE TABLE.
 CLAMPING SCREW: M3, BRASS, NICKEL PLATED.
- 2. END-TO-END STACKABLE WITHOUT LOSS OF CENTERLINE SPACING.
- 3. MECHANICAL
 WIRE STRIPPING LENGTH : 6.0-7.5 mm
 RECOMMENDED TIGHTENING TORQUE FOR SCREW : 0.5 Nm.
- 4. ELECTRICAL
 WIRE RANGE : 12-30 AWG
 MAX. VOLTAGE : 300 V
 MAX CURRENT : 15 A
 CONTACT RESISTANCE : <15 m Ohm
 INSULATION RESISTANCE : >1000 M Ohm (500V DC)
- 5. RECOGNIZED UNDER THE COMPONENT PROGRAM OF UNDERWRITERS LABORATORIES INC. FILE NO E60677.
- 6. NOT CUMULATIVE TOLERANCE
- 7. INK MARKING: BLACK COLOR.
- 8. INK MARKING: WHITE COLOR.
- 9. NUMERICAL SEQUENCE: FROM LEFT TO RIGHT, WIRE ENTRY SIDE.
- 10. RETENTION LATCHES REMOVED
- 11. BUCHANAN LOGO TO APPEAR ON HOUSING, LOCATION OPTIONAL WHERE SPACE PERMITS.
- 12. WIRE ENTRY CLOSED.
- 13. PRELIMINARY - NOT FOR PRODUCTION.
- 14. NUMERICAL SEQUENCE: FROM RIGHT TO LEFT, WIRE ENTRY SIDE.
- 15. OPERATING TEMPERATURE RANGE: -40°C TO +105°C

THIS DRAWING IS A CONTROLLED DOCUMENT.		DWN S. WELDON 18OCT2000	 TE Connectivity	
DIMENSIONS: mm		CHK D. BIEVENOUR 18OCT2000		
TOLERANCES UNLESS OTHERWISE SPECIFIED: 0 PLC ± 1 PLC ±0.3 2 PLC ±0.25 3 PLC ± 4 PLC ± ANGLES ±2		APVD D. BIEVENOUR 18OCT2000	NAME TERMINAL BLOCK, PLUG, STACKING 5.00mm PITCH	
MATERIAL SEE NOTES		PRODUCT SPEC -	APPLICATION SPEC -	RESTRICTED TO
FINISH SEE NOTES		WEIGHT -	SIZE A2	CAGE CODE 00779
CUSTOMER DRAWING		DRAWING NO G-796640	SCALE 2:1	SHEET 3 OF 3

X-ON Electronics

Largest Supplier of Electrical and Electronic Components

Click to view similar products for [Pluggable Terminal Blocks](#) category:

Click to view products by [TE Connectivity](#) manufacturer:

Other Similar products are found below :

[57.510.0053](#) [MC 1.5/ 6-ST-3.5 GY AU](#) [ET02015000J0G](#) [734-104](#) [734-302](#) [8-141-P](#) [8426620000](#) [860505](#) [860516](#) [860810](#) [GBPACX-12](#)
[93.731.4953.0](#) [PV05-5,08-K](#) [PVP03-3,50](#) [PVP04-3,50](#) [PVS02-5,00](#) [1-1986160-3](#) [1377680000](#) [1531000000](#) [1546228-5](#) [ELFH16150](#)
[ELFP03110](#) [ELFP10210](#) [ELFT06250](#) [ELVP03100](#) [1700101](#) [1700410](#) [1700425](#) [1702246](#) [1705229](#) [1710175](#) [1714537](#) [1717806](#) [1719600](#)
[1728941](#) [1734692](#) [1734795](#) [1736036](#) [1740194](#) [1740628](#) [1740990](#) [1746952](#) [1750207](#) [1752441](#) [1752865](#) [1754115](#) [1754144](#) [1756913](#)
[1760051](#) [1760336](#)