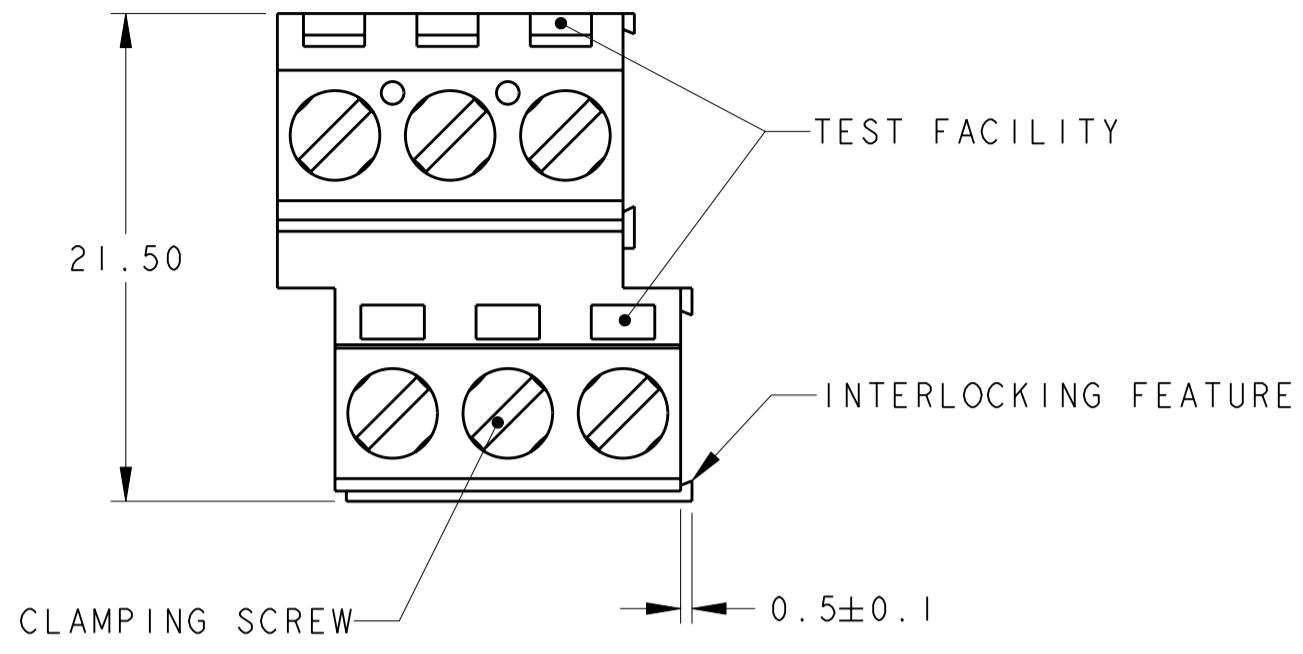
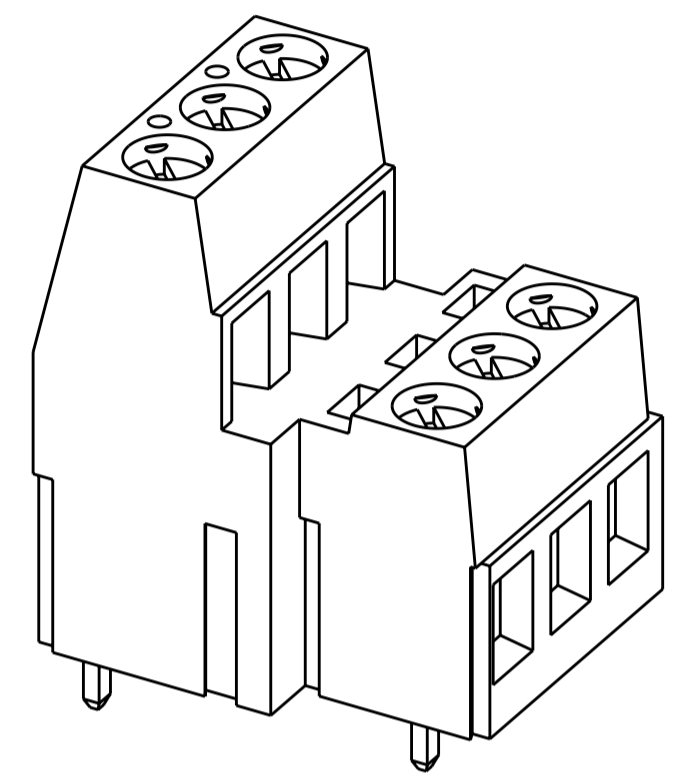


THIS DRAWING IS UNPUBLISHED. RELEASED FOR PUBLICATION 20
 © COPYRIGHT 20 BY ALL RIGHTS RESERVED.

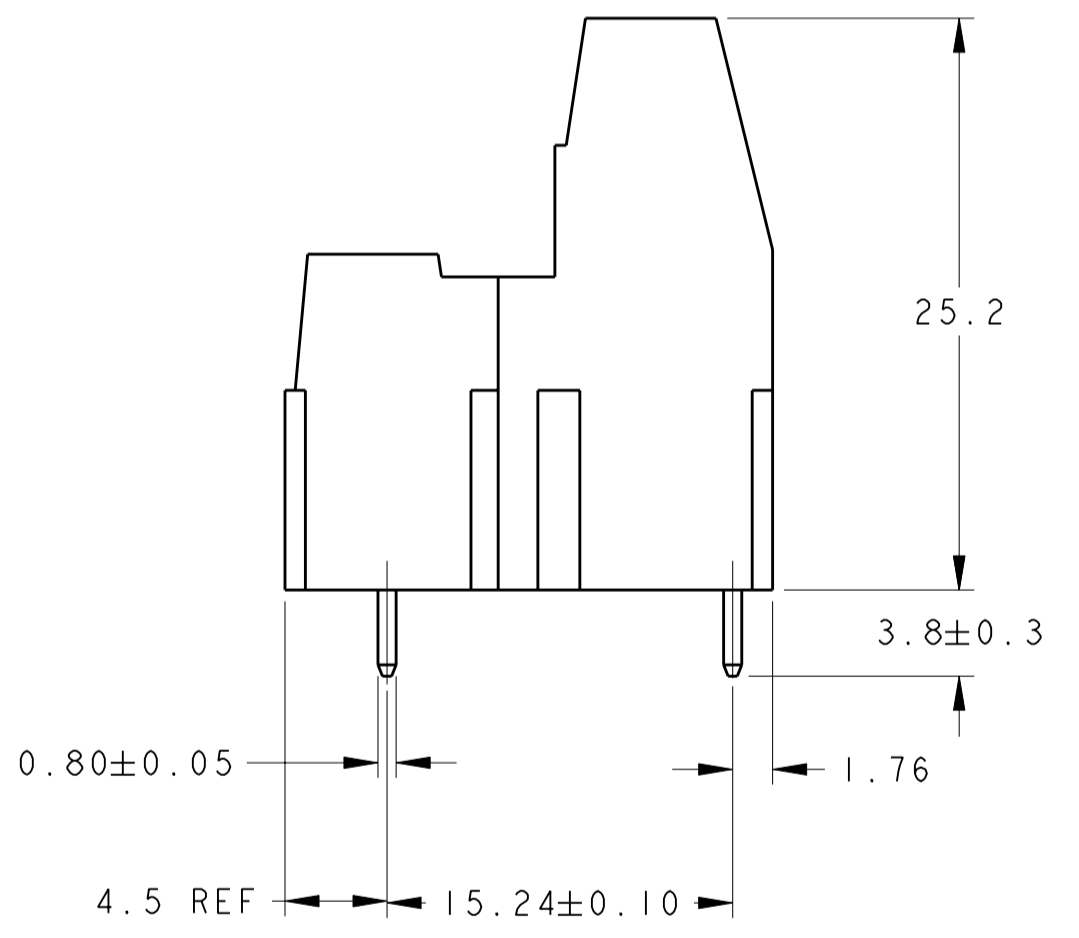
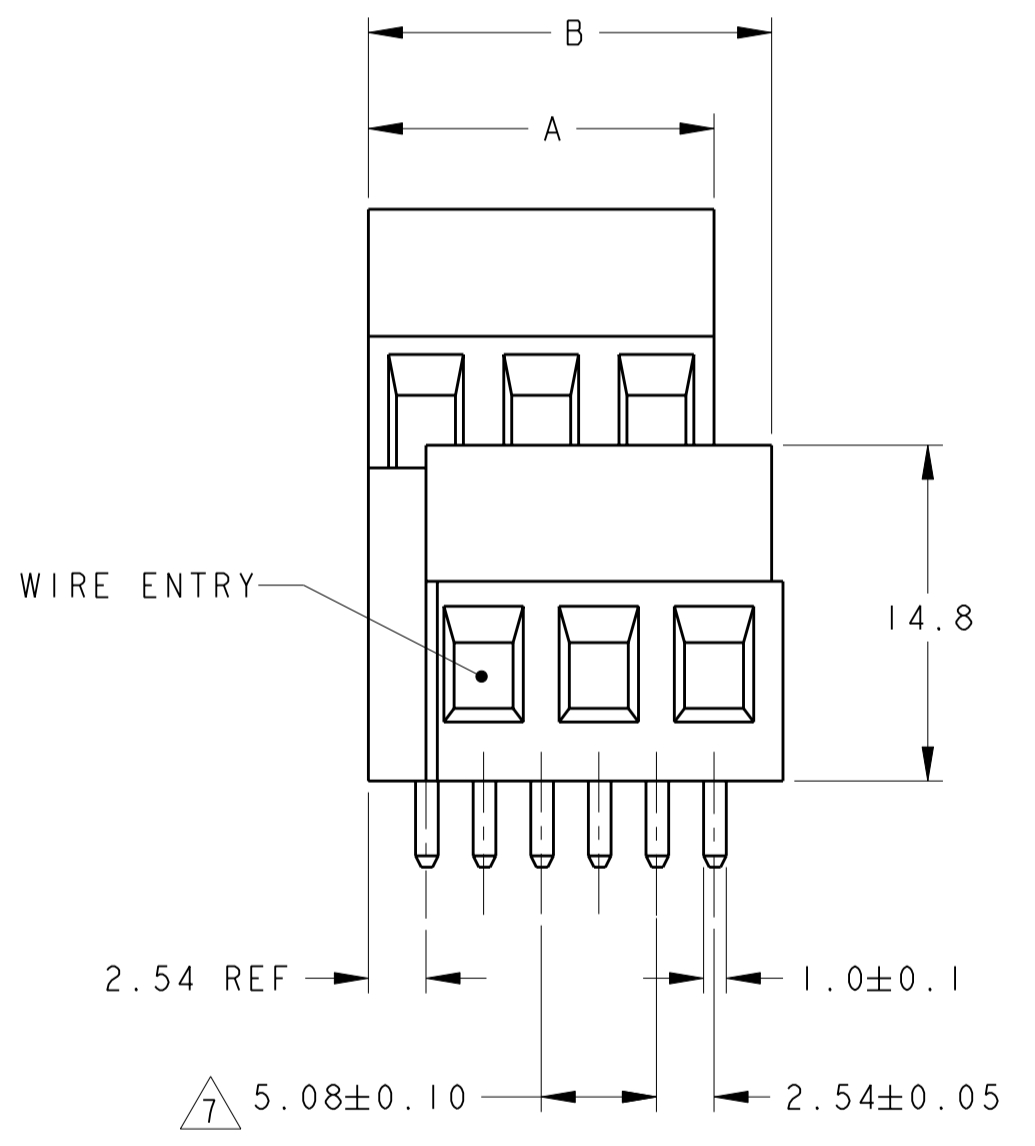
LOC		DIST		REVISIONS			
P	LTR	DESCRIPTION	DATE	DWN	APVD		
FT	0	E2	REVISIED PER ECO-11-005027	16MAR2011	RK	HMR	



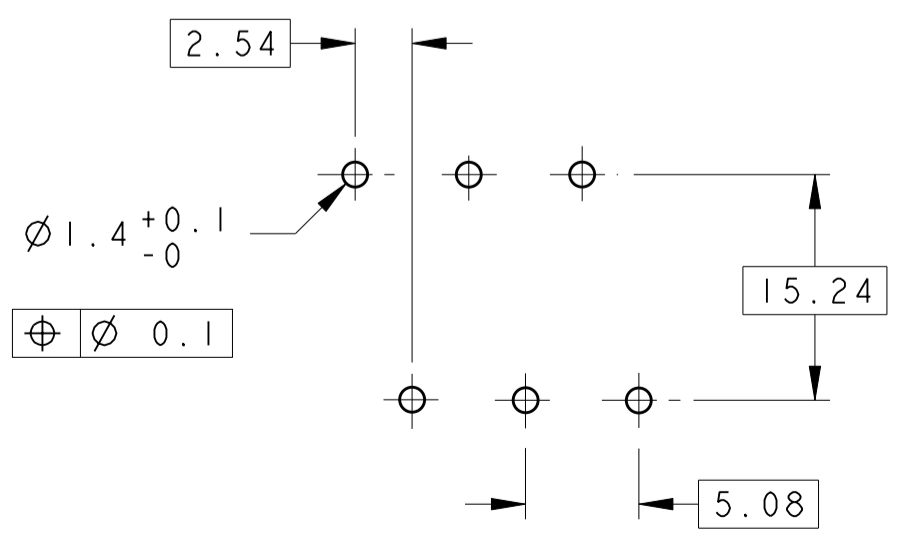
- 1. MATERIALS AND FINISH
 HOUSING: PA 6-6, UL 94-V0, COLOR GREEN.
 CLAMP: BRASS, NICKEL PLATED.
 TERMINAL: BRASS, TIN PLATED.
 CLAMPING SCREW: M3, BRASS, NICKEL PLATED.
- 2. SUITABLE FOR 1,6-2,4mm PC BOARD THICKNESS.
- 3. END-TO-END STACKABLE W/INTERLOCK WITHOUT LOSS OF CENTERLINE SPACING.
- 4. WIRE SIZE RANGE: 12-30 AWG.
- 5. RECOGNIZED UNDER THE COMPONENT PROGRAM OF UNDERWRITERS LABORATORIES INC., FILE N° E60677.
- 6. IMQ CERTIFICATE WITH SURVEILLANCE IN CONFORMITY WITH IEC 998-1/998-2-1.
- 7. NOT CUMULATIVE TOLERANCE.
- 8. SCREWS BOTTOMED IN TERMINAL BLOCK TO CLOSE CAGE CLAMP.
- 9. BUCHANAN LOGO TO APPEAR ON HOUSING, LOCATION OPTIONAL WHERE SPACE PERMITS.



796692-3 AS SHOWN



83.82	81.28	16	1-796692-6
17.78	15.24	3	1-796692-3
63.50	60.96	12	1-796692-2
58.42	55.88	11	1-796692-1
53.34	50.80	10	1-796692-0
48.26	45.72	9	796692-9
43.18	40.64	8	796692-8
38.10	35.56	7	796692-7
33.02	30.48	6	796692-6
27.94	25.40	5	796692-5
22.86	20.32	4	796692-4
17.78	15.24	3	796692-3
12.70	10.16	2	796692-2
B	A	NO OF POSN	PART NUMBER



RECOMMENDED PC BOARD LAYOUT

THIS DRAWING IS A CONTROLLED DOCUMENT.		DWN S.WELDON 21FEB2002	TE Connectivity	
DIMENSIONS: mm		CHK D.BIEVENOUR 21FEB2002		
TOLERANCES UNLESS OTHERWISE SPECIFIED:		APVD D.BIEVENOUR 21FEB2002	NAME	
0 PLC ±		PRODUCT SPEC	TERMINAL BLOCK, PCB MOUNT	
1 PLC ±0.3		APPLICATION SPEC	1ST AND 2ND LEVEL	
2 PLC ±0.25		108-20166	STACKING W/INTERLOCK, 5.08mm PITCH	
3 PLC ±		114-20079	SIZE	RESTRICTED TO
4 PLC ±		WEIGHT	A200779C-796692	-
ANGLES ±2		CUSTOMER DRAWING	SCALE 3:1	SHEET 1 OF 1
FINISH				REV E2

X-ON Electronics

Largest Supplier of Electrical and Electronic Components

Click to view similar products for [Fixed Terminal Blocks](#) category:

Click to view products by [TE Connectivity](#) manufacturer:

Other Similar products are found below :

[MBE-1512](#) [MBE-154](#) [MBE-156](#) [MBES-153](#) [MBES-156](#) [MH-2512](#) [MHE-132](#) [MHE-163](#) [MI-254 \(35\)](#) [MI-272](#) [880507](#) [MPT-275](#)
[15602-04-08-21](#) [BA311TU](#) [BA411SU](#) [MV-152](#) [MV-252-D](#) [MV-253/NCNOC](#) [MV-254-D](#) [MV-255](#) [MV-462](#) [MV-493](#) [MVE-252](#) [MVE-253](#)
[MVE-273](#) [MVEB-153](#) [1700096](#) [1705142](#) [1712417](#) [1713020](#) [1713088](#) [1745195](#) [1760594](#) [1776118-2](#) [1790852](#) [1-796689-8](#) [1-796692-6](#)
[1800001](#) [1800114](#) [1995279](#) [20020314-C121B01LF](#) [CB2-12](#) [KP03215000J0G](#) [KP04215000J0G](#) [S451](#) [282802-2](#) [29.007](#) [29.116](#) [30.103](#)
[30.106](#)