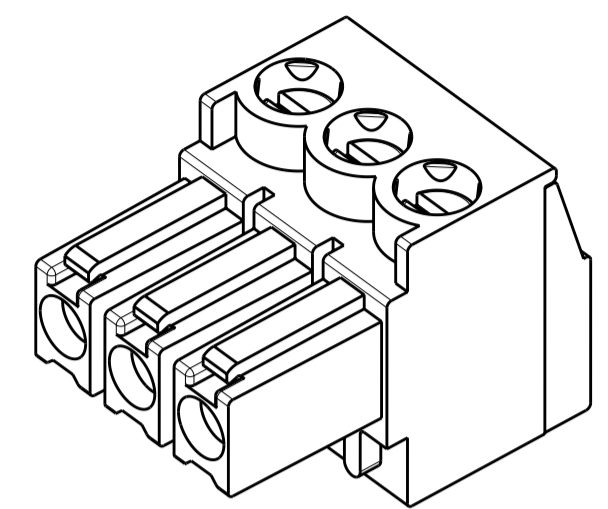
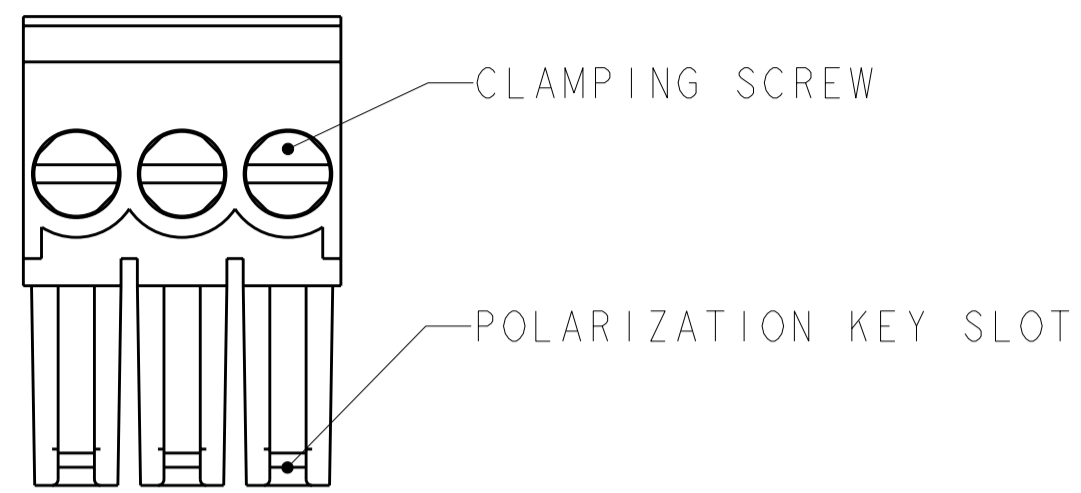
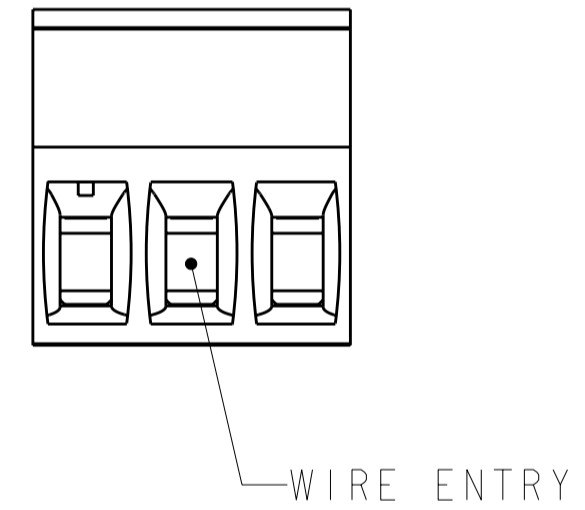
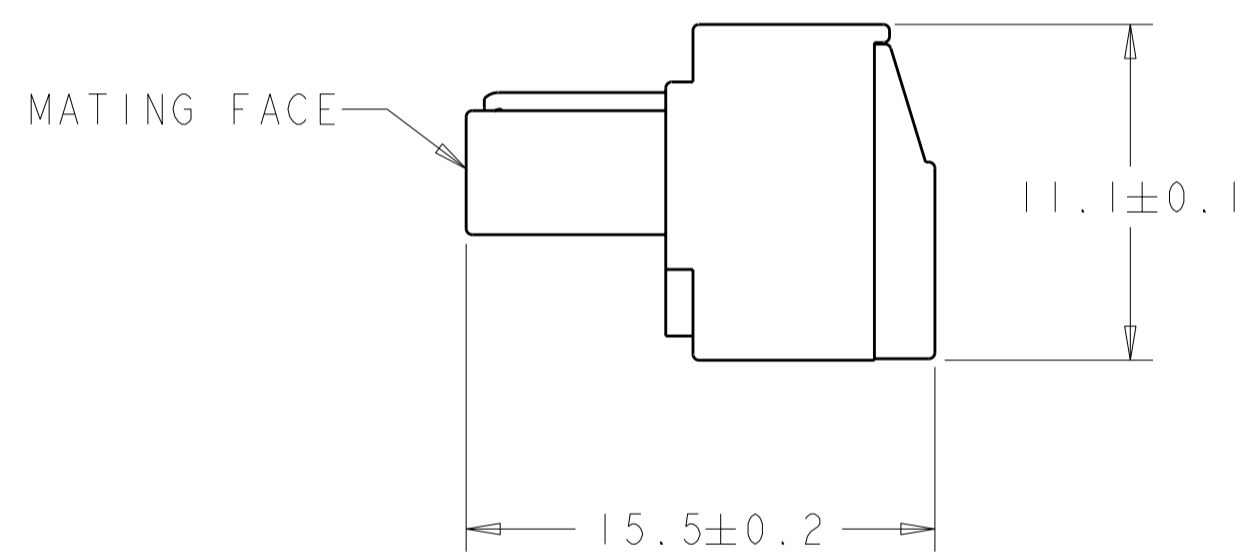
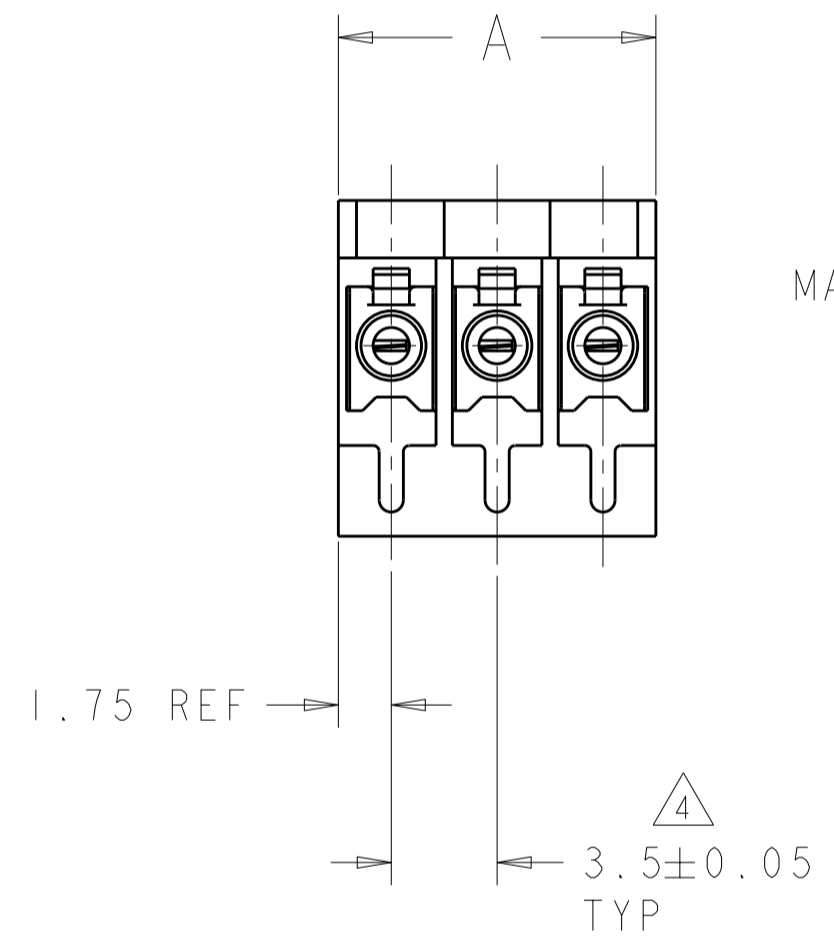


THIS DRAWING IS UNPUBLISHED. RELEASED FOR PUBLICATION 20
 © COPYRIGHT 20 ALL RIGHTS RESERVED.

LOC	DIST	REVISIONS			
P	LTR	DESCRIPTION	DATE	DWN	APVD
FT	0	B2	REVISED PER ECO-11-012727	21JUN2011	HMR CR



796693-3 AS SHOWN



1 MATERIALS AND FINISH:
 HOUSING : PA 6.6, UL 94-V0, COLOR: BLUE.
 CLAMP : BRASS, NICKEL PLATED
 TERMINAL : BRASS, TIN PLATED
 CONTACT SPRING : PHOSPHOR BRONZE, TIN PLATED
 CLAMPING SCREW : M2, BRASS, NICKEL PLATED

- 2. END-TO-END STACKABLE WITHOUT LOSS OF CENTERLINE SPACING
- 3. WIRE SIZE RANGE: 14-30 AWG (UL APPROVAL)
- 4 NOT CUMULATIVE TOLERANCE.
- 5 CHARACTERS INK STAMPED AS SHOWN, COLOR: WHITE.
- 6 PRELIMINARY PART

6	SEE SHEET 2	28.0	8	4-796693-1
6	SEE SHEET 2	21.0	6	4-796693-0
	SEE SHEET 2	31.5	9	3-796693-9
	SEE SHEET 2	14.0	4	3-796693-4
	SEE SHEET 2	35.0	10	3-796693-0
	-	87.5	25	2-796693-5
	-	84.0	24	2-796693-4
	-	80.5	23	2-796693-3
	-	77.0	22	2-796693-2
	-	73.5	21	2-796693-1
	-	70.0	20	2-796693-0
	-	66.5	19	1-796693-9
	-	63.0	18	1-796693-8
	-	59.5	17	1-796693-7
	-	56.0	16	1-796693-6
	-	52.5	15	1-796693-5
	-	49.0	14	1-796693-4
	-	45.5	13	1-796693-3
	-	42.0	12	1-796693-2
	-	38.5	11	1-796693-1
	-	35.0	10	1-796693-0
	-	31.5	9	796693-9
	-	28.0	8	796693-8
	-	24.5	7	796693-7
	-	21.0	6	796693-6
	-	17.5	5	796693-5
	-	14.0	4	796693-4
	-	10.5	3	796693-3
	-	7.0	2	796693-2
	INK STAMPING	A	NO. OF POSN	PART NUMBER

THIS DRAWING IS A CONTROLLED DOCUMENT.		DWN S. WELDON 27NOV2000	TE Connectivity NAME: TERMI BLOK, PLUG, STACKING 3.5 mm PITCH	
DIMENSIONS: mm		CHK D. BIEVENOUR 27NOV2000		
TOLERANCES UNLESS OTHERWISE SPECIFIED:		APVD D. BIEVENOUR 27NOV2000		
0 PLC ± 1 PLC ± 2 PLC ± 3 PLC ± 4 PLC ± ANGLES ± FINISH ±		PRODUCT SPEC 108-20166		
MATERIAL		APPLICATION SPEC 114-20079	SIZE A2	CAGE CODE 00779
		WEIGHT -	DRAWING NO C-796693	RESTRICTED TO -
CUSTOMER DRAWING			SCALE 4:1	SHEET 1 OF 2 REV B2

4

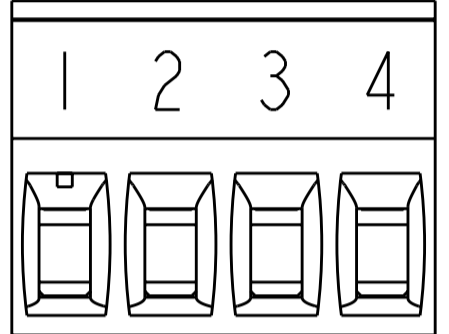
3

2

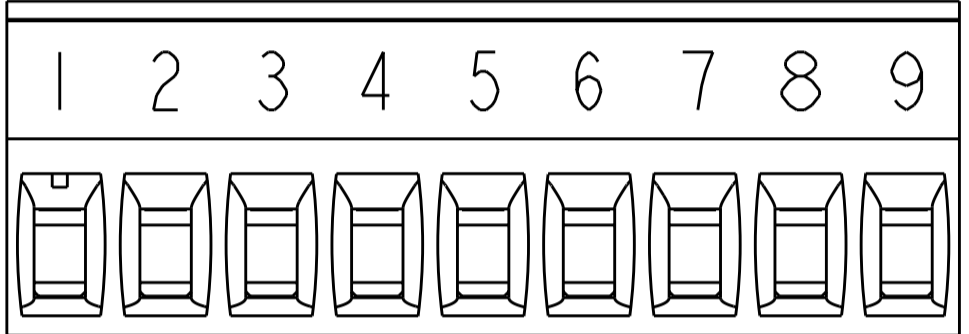
1

THIS DRAWING IS UNPUBLISHED. RELEASED FOR PUBLICATION 20
 © COPYRIGHT 20 ALL RIGHTS RESERVED.

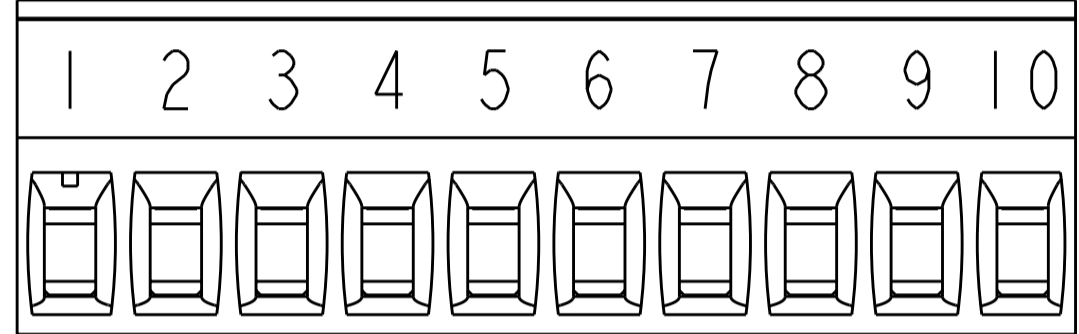
LOC	DIST	REVISIONS			
P	LTR	DESCRIPTION	DATE	DWN	APVD
FT	0	-	SEE SHEET 1	-	-



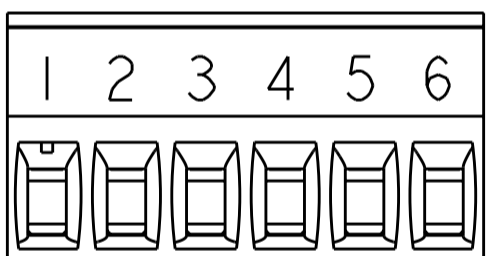
3-796693-4 AS SHOWN $\triangle 5$



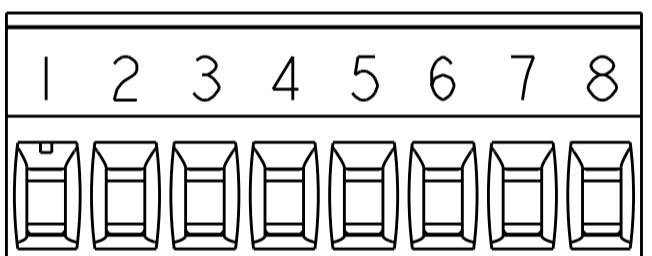
3-796693-9 AS SHOWN $\triangle 5$



3-796693-0 AS SHOWN $\triangle 5$



4-796693-0 AS SHOWN $\triangle 5$



4-796693-1 AS SHOWN $\triangle 5$

THIS DRAWING IS A CONTROLLED DOCUMENT.		DWN S. WELDON 27NOV2000	STE TE Connectivity	
DIMENSIONS: mm		CHK D. BIEVENOUR 27NOV2000		
TOLERANCES UNLESS OTHERWISE SPECIFIED:		APVD D. BIEVENOUR 27NOV2000	NAME TERMI BLOK, PLUG, STACKING 3.5 mm PITCH	
0 PLC ±- 1 PLC ±- 2 PLC ±- 3 PLC ±- 4 PLC ±- ANGLES ±- FINISH		PRODUCT SPEC 108-20166	SIZE A200779	CAGE CODE C-796693
MATERIAL		APPLICATION SPEC 114-20079	DRAWING NO C-796693	RESTRICTED TO -
-		WEIGHT -	SCALE 4:1 SHEET 2 OF 2 REV B2	
-		CUSTOMER DRAWING		

X-ON Electronics

Largest Supplier of Electrical and Electronic Components

Click to view similar products for [Pluggable Terminal Blocks](#) category:

Click to view products by [TE Connectivity](#) manufacturer:

Other Similar products are found below :

[57.510.0053](#) [MC 1.5/ 6-ST-3.5 GY AU](#) [ET02015000J0G](#) [734-104](#) [734-302](#) [8-141-P](#) [8426620000](#) [860505](#) [860516](#) [860810](#) [GBPACX-12](#)
[PV05-5,08-K](#) [PVP02-5,00](#) [PVP03-3,50](#) [PVP04-3,50](#) [PVS02-5,00](#) [1-1986160-3](#) [1377680000](#) [1531000000](#) [1546228-5](#) [ELFH16150](#)
[ELFP03110](#) [ELFP10210](#) [ELFT06250](#) [ELVP03100](#) [1700101](#) [1700410](#) [1700425](#) [1702246](#) [1705229](#) [1710175](#) [1714537](#) [1717806](#) [1719600](#)
[1728941](#) [1734692](#) [1734795](#) [1736036](#) [1740194](#) [1740628](#) [1740990](#) [1746952](#) [1750207](#) [1752441](#) [1752865](#) [1754115](#) [1754144](#) [1756913](#)
[1760051](#) [1760336](#)