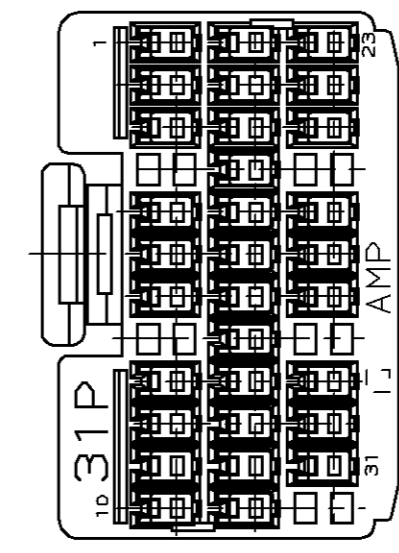
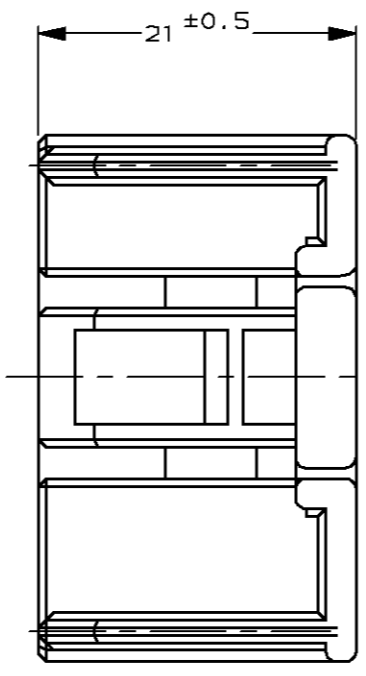
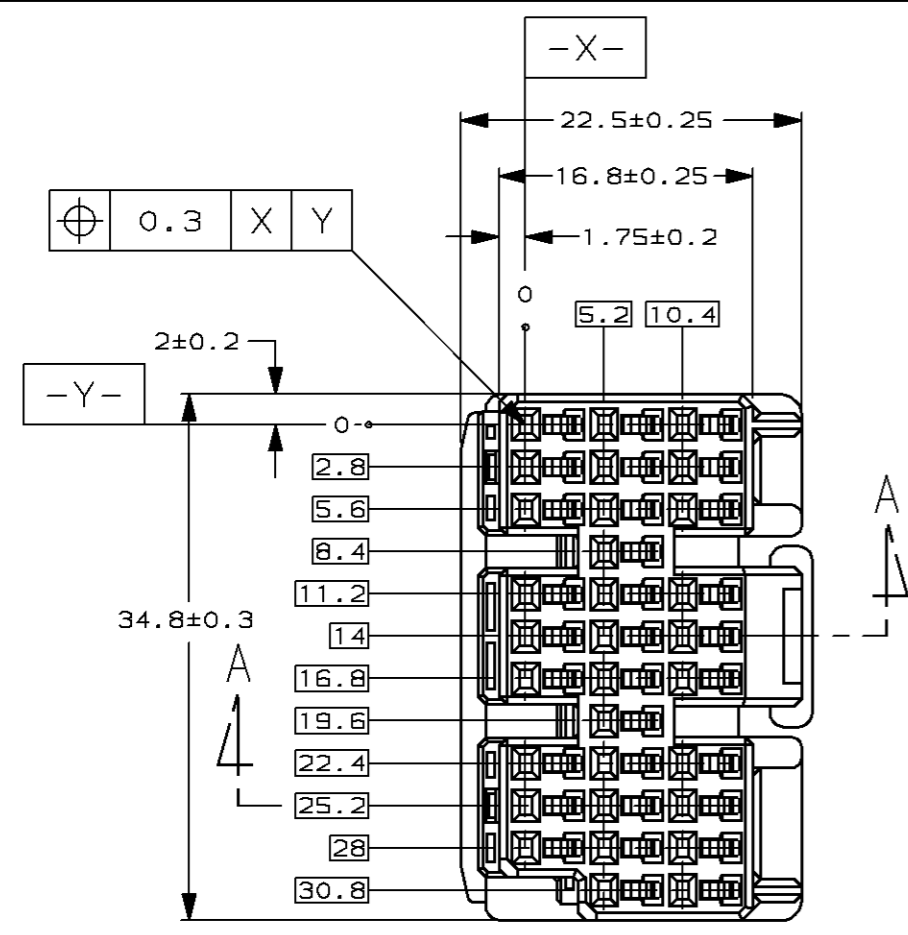
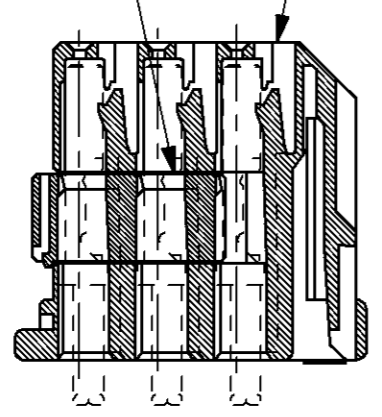


THIS DRAWING IS UNPUBLISHED. RELEASED FOR PUBLICATION ,19 .  
 © COPYRIGHT 19 BY AMP INCORPORATED. ALL RIGHTS RESERVED.

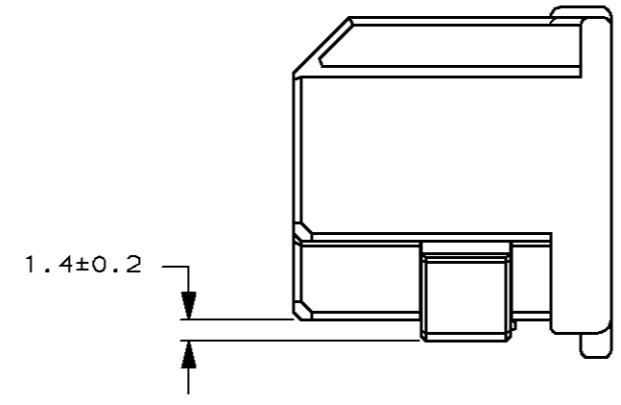
LOC	DIST	REVISIONS			
P	LTR	DESCRIPTION	DATE	DWN	APVD
FX	55	C	REVISE PER EC 0K80-0103-98	7-31-98	JLM RS



DOUBLE LOCK PLATE — PLUG HOUSING



SECTION A-A



NOTES;

1. THE MATING CAP HOUSING PART NUMBER, 179684, 179686
2. APPLIED CONTACT PART NUMBER, 175265

BLUE	179680-5
COLOR	P/N

THIS DRAWING IS A CONTROLLED DOCUMENT.		DWN J MCNEAL 7-31-98	<b>AMP</b> AMP Incorporated Harrisburg, PA 17105-3608	
DIMENSIONS: mm		CHK R SMITH 7-31-98		
TOLERANCES UNLESS OTHERWISE SPECIFIED:		APVD R SMITH 7-31-98	NAME	
0 PLC ±-		PRODUCT SPEC	.040II HDH I/O CONNECTOR	
1 PLC ±-		108-5441	31 POSN PLUG ASSY	
2 PLC ±0.15		APPLICATION SPEC	SIZE	CAGE CODE
3 PLC ±-		—	DRAWING NO	
4 PLC ±-		WEIGHT	RESTRICTED TO	
ANGLES ±3°		8.1 GRAMS	—	
MATERIAL	PBT	FINISH	—	
CUSTOMER DRAWING		A3 00779 C- 179680		SCALE
		2:1		SHEET
		1 OF 1		REV
		C		

## X-ON Electronics

Largest Supplier of Electrical and Electronic Components

*Click to view similar products for [Automotive Connectors](#) category:*

*Click to view products by [TE Connectivity](#) manufacturer:*

Other Similar products are found below :

[003-018-000](#) [60403001](#) [60993906-B](#) [M902-2131](#) [M902-2161](#) [72.330.1035.1](#) [73.353.4028.0](#) [F119300-B](#) [F166900](#) [F258300-B](#) [F358300-B](#)  
[F407400](#) [F444110](#) [F487000](#) [F509500B-B](#) [827153-1](#) [8N1515-32-24P](#) [9-1326729-8](#) [925474-1](#) [928905-1](#) [964562-4](#) [968782-1](#) [GT17SA-8DS-](#)  
[HU](#) [98891-1012](#) [98947-1016](#) [12004147](#) [12004475-L](#) [12010290](#) [12010309-B](#) [12015454](#) [12020219-B](#) [12020308](#) [12041318-B](#) [12052225-L](#)  
[12052466](#) [12059125](#) [12064869](#) [12004327-B](#) [12010503-B](#) [12015308](#) [12015384](#) [12015909](#) [1-21030-1](#) [12041254](#) [12041318](#) [12047946-B](#)  
[12047957](#) [12047957-L](#) [12059473](#) [12066261](#)