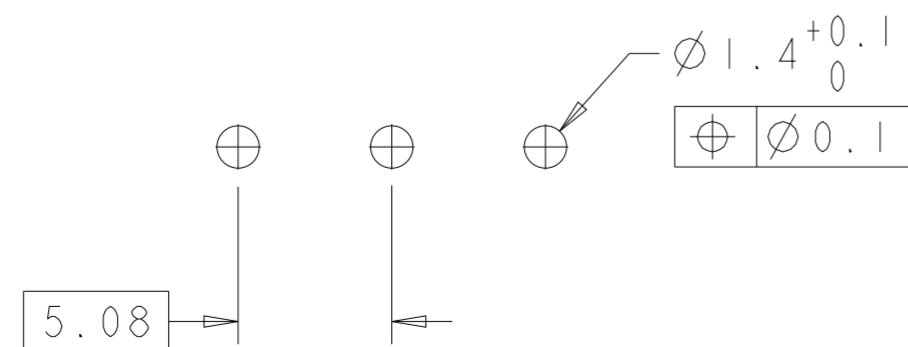
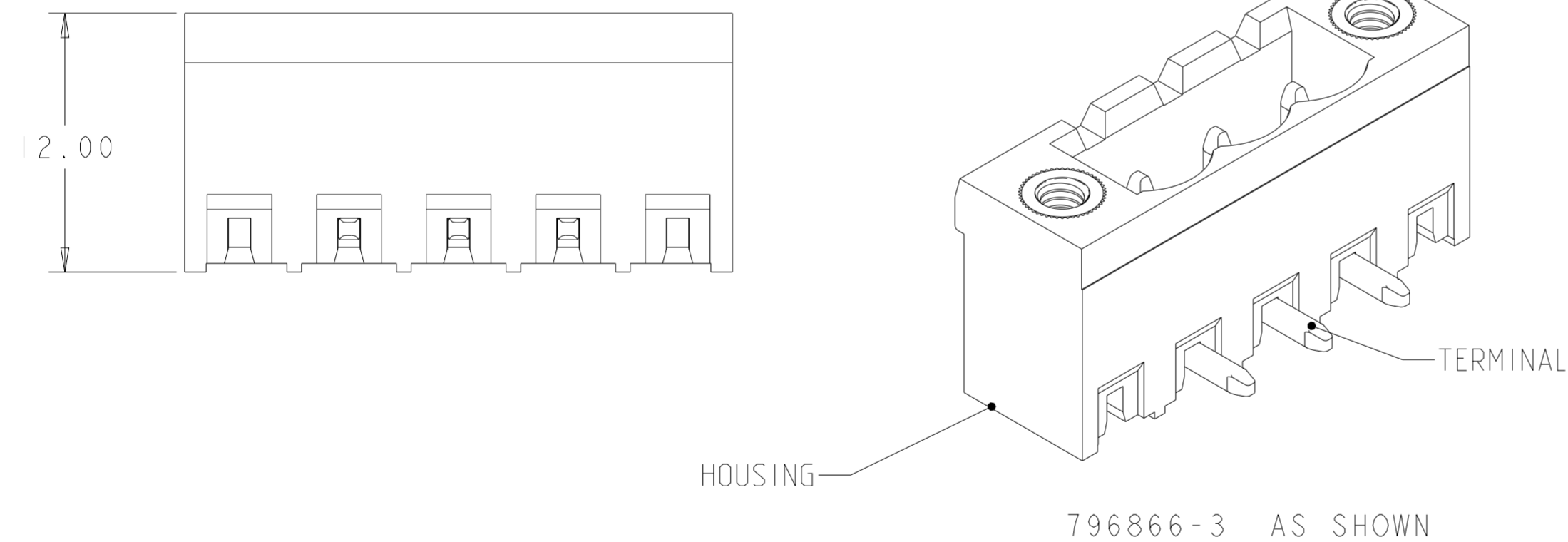
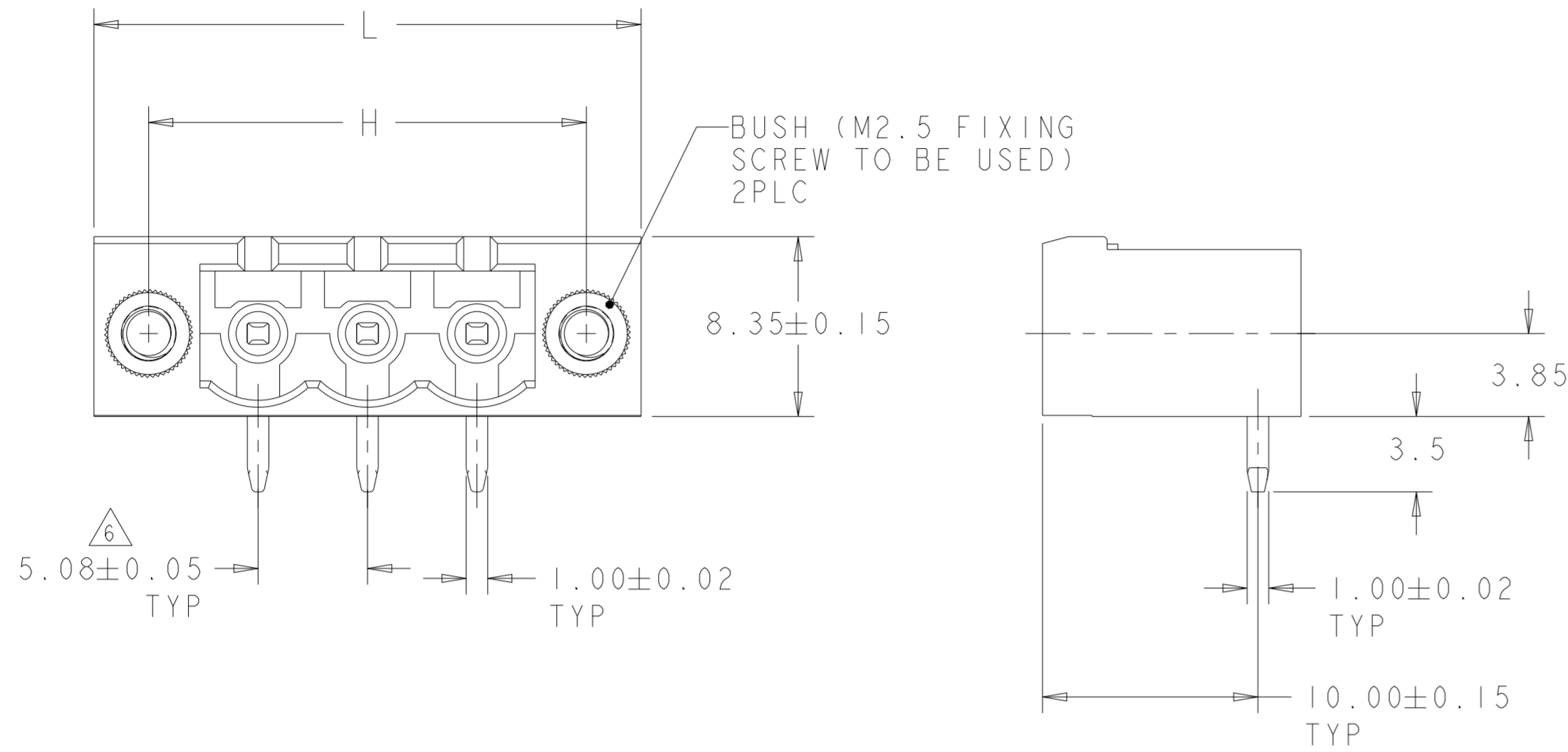


P	LTR	DESCRIPTION	DATE	DWN	APVD
B5		BUSH PART MATERIAL INFORMATION ADDED	10MAY2018	RK	PS
B6		PART STATUS UPDATED	05JUL2021	SB	SS

NOTES:

1. MATERIALS AND FINISH:  
 HOUSING: PA 6-6, UL 94-V0, COLOR: SEE TABLE.  
 TERMINAL: COPPER ALLOY, PLATING: SEE TABLE.  
 BUSH : BRASS, NICKEL PLATED.
  2. MECHANICAL  
 MAX. INSERTION FORCE PER POLE : 3.0 N  
 MIN. WITHDRAWAL FORCE PER POLE : 1.5 N  
 MIN. PC BOARD HOLES DIAMETER : 1.4 mm  
 MAX. PC BOARD THICKNESS : 2.4 mm.
  3. ELECTRICAL  
 WIRE RANGE : 12-30 AWG  
 MAX. VOLTAGE : 300 V  
 MAX CURRENT : 15 A  
 CONTACT RESISTANCE : <15 m Ohm  
 INSULATION RESISTANCE : >1000 M Ohm (500V DC)
  4. OPERATING TEMPERATURE RANGE: -40°C TO +110°C
  5. RECOGNIZED UNDER THE COMPONENT PROGRAM OF UNDERWRITERS LABORATORIES INC. FILE No. E60677.
6. NOT CUMULATIVE TOLERANCE.



RECOMMENDED PC BOARD LAYOUT

OBSOLETE	COLOR	TERMINAL PLATING	L	H	NO. OF POSN	PART NUMBER
	ORANGE	TIN	35.48	30.48	5	2-796866-5
	GREEN	0.2µm GOLD	35.48	30.48	5	2-796866-4
	GREEN	TIN	126.92	121.92	23	2-796866-3
	GREEN	TIN	121.84	116.84	22	2-796866-2
	GREEN	TIN	116.76	111.76	21	2-796866-1
	GREEN	TIN	111.68	106.68	20	2-796866-0
	GREEN	TIN	106.60	101.60	19	1-796866-9
	GREEN	TIN	101.52	96.52	18	1-796866-8
	GREEN	TIN	96.44	91.44	17	1-796866-7
	GREEN	TIN	91.36	86.36	16	1-796866-6
	GREEN	TIN	86.28	81.28	15	1-796866-5
	GREEN	TIN	81.20	76.20	14	1-796866-4
	GREEN	TIN	76.12	71.12	13	1-796866-3
	GREEN	TIN	71.04	66.04	12	1-796866-2
	GREEN	TIN	65.96	60.96	11	1-796866-1
	GREEN	TIN	60.88	55.88	10	1-796866-0
	GREEN	TIN	55.80	50.80	9	796866-9
	GREEN	TIN	50.72	45.72	8	796866-8
	GREEN	TIN	45.64	40.64	7	796866-7
	GREEN	TIN	40.56	35.56	6	796866-6
	GREEN	TIN	35.48	30.48	5	796866-5
	GREEN	TIN	30.40	25.40	4	796866-4
	GREEN	TIN	25.32	20.32	3	796866-3
	GREEN	TIN	20.24	15.24	2	796866-2

THIS DRAWING IS A CONTROLLED DOCUMENT.

DWN: S. WELDON 09FEB2001  
 CHK: D. BIEVENOUR 09FEB2001  
 APVD: D. BIEVENOUR 09FEB2001

**STE** TE Connectivity

NAME: TERMINAL BLOCK HEADER ASSEMBLY, 90 DEGREE, WITH FLANGE, 5.08mm PITCH

SIZE: A2 CAGE CODE: 00779 DRAWING NO: C-796866

MATERIAL: FINISH:

PRODUCT SPEC: - APPLICATION SPEC: - WEIGHT: -

CUSTOMER DRAWING SCALE: 4:1 SHEET: 1 OF 1 REV: B6

## X-ON Electronics

Largest Supplier of Electrical and Electronic Components

*Click to view similar products for [Pluggable Terminal Blocks](#) category:*

*Click to view products by [TE Connectivity](#) manufacturer:*

Other Similar products are found below :

[57.510.0053](#) [MC 1.5/ 6-ST-3.5 GY AU](#) [734-104](#) [734-302](#) [8-141-P](#) [8426620000](#) [860505](#) [860516](#) [860810](#) [GBPACX-12](#) [93.731.4953.0](#) [PV05-5,08-K](#) [PVP03-3,50](#) [PVP04-3,50](#) [PVS02-5,00](#) [1-1986160-3](#) [1377680000](#) [1531000000](#) [1546228-5](#) [ELFH16150](#) [ELFP03110](#) [ELFP10210](#) [ELFT06250](#) [ELVP03100](#) [1700101](#) [1700410](#) [1700425](#) [1702246](#) [1705229](#) [1710175](#) [1714537](#) [1717806](#) [1719600](#) [1728941](#) [1734692](#) [1734795](#) [1736036](#) [1740194](#) [1740291](#) [1740628](#) [1740990](#) [1746952](#) [1750207](#) [1752441](#) [1752865](#) [1754115](#) [1754144](#) [1756913](#) [1760051](#) [1760336](#)