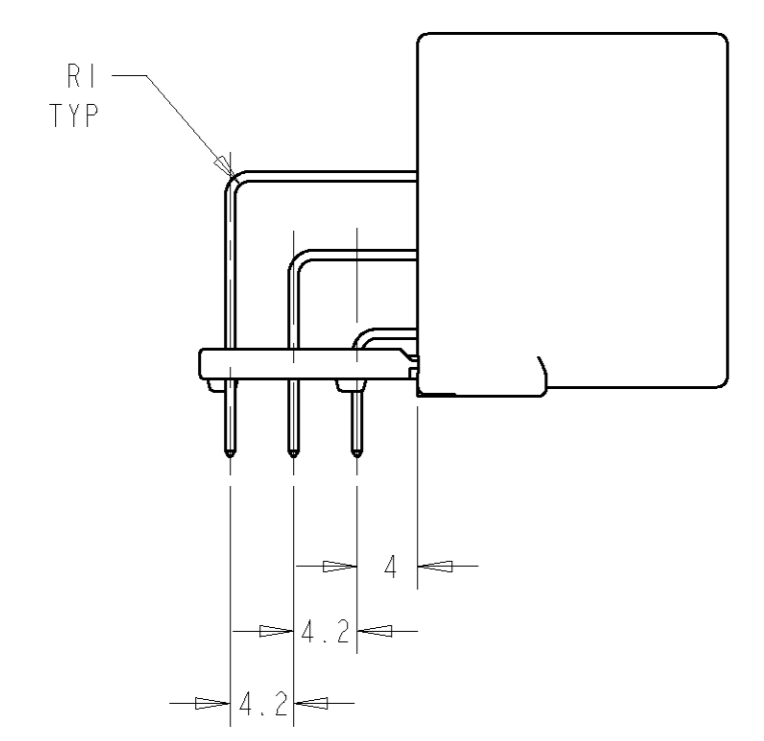
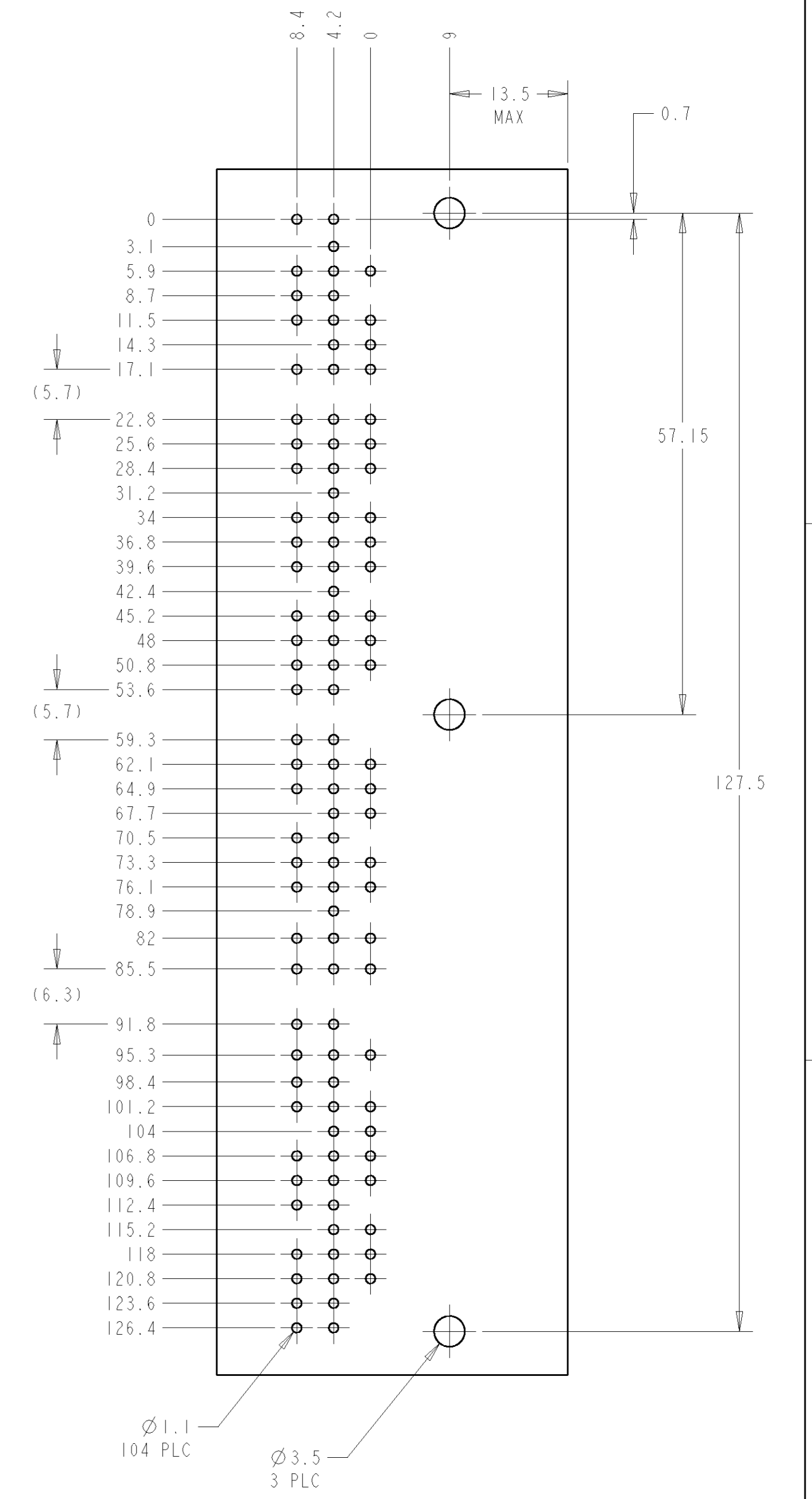
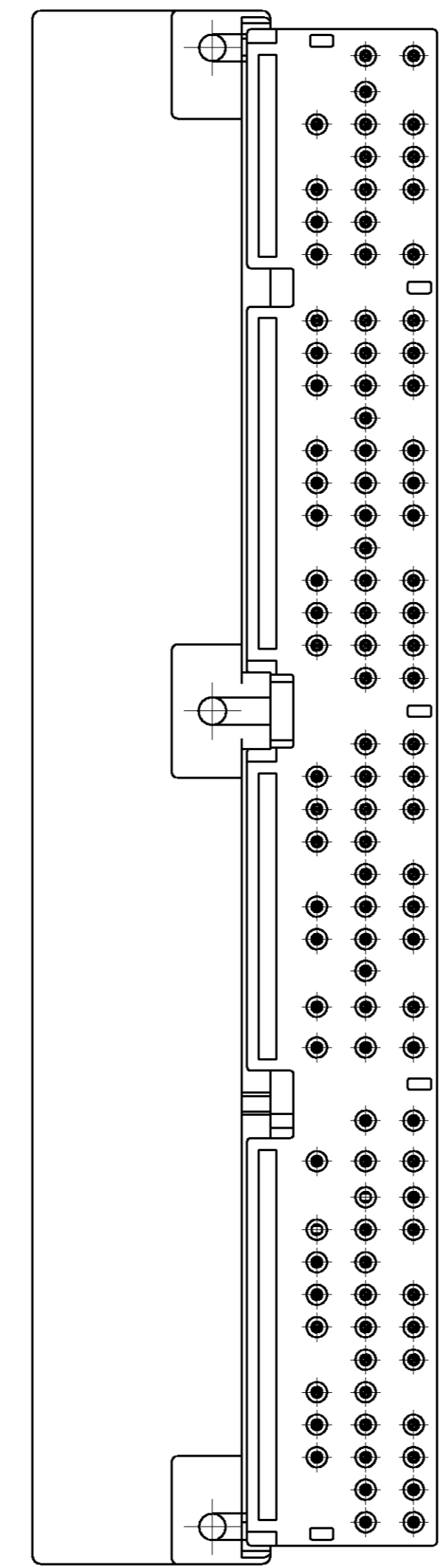
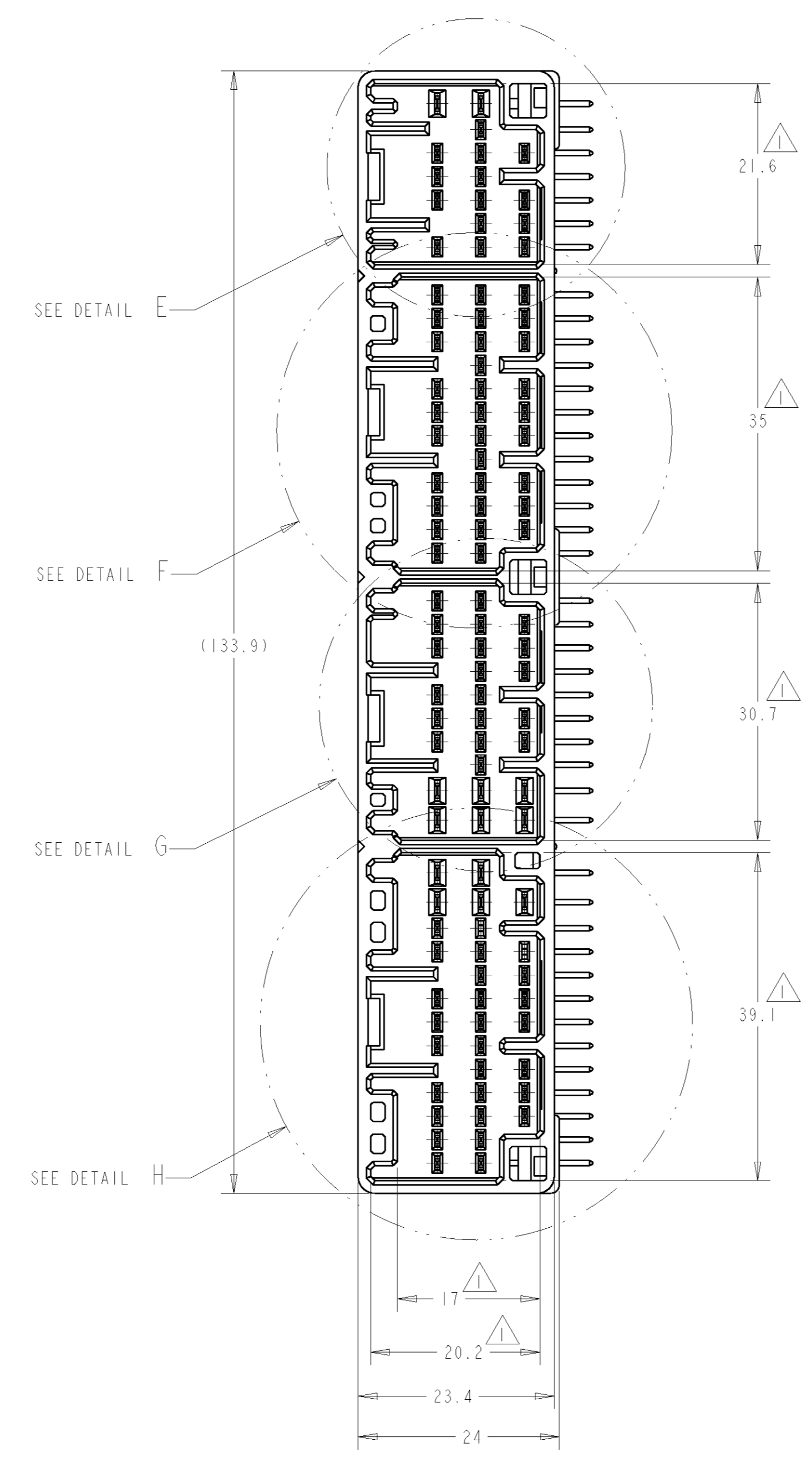
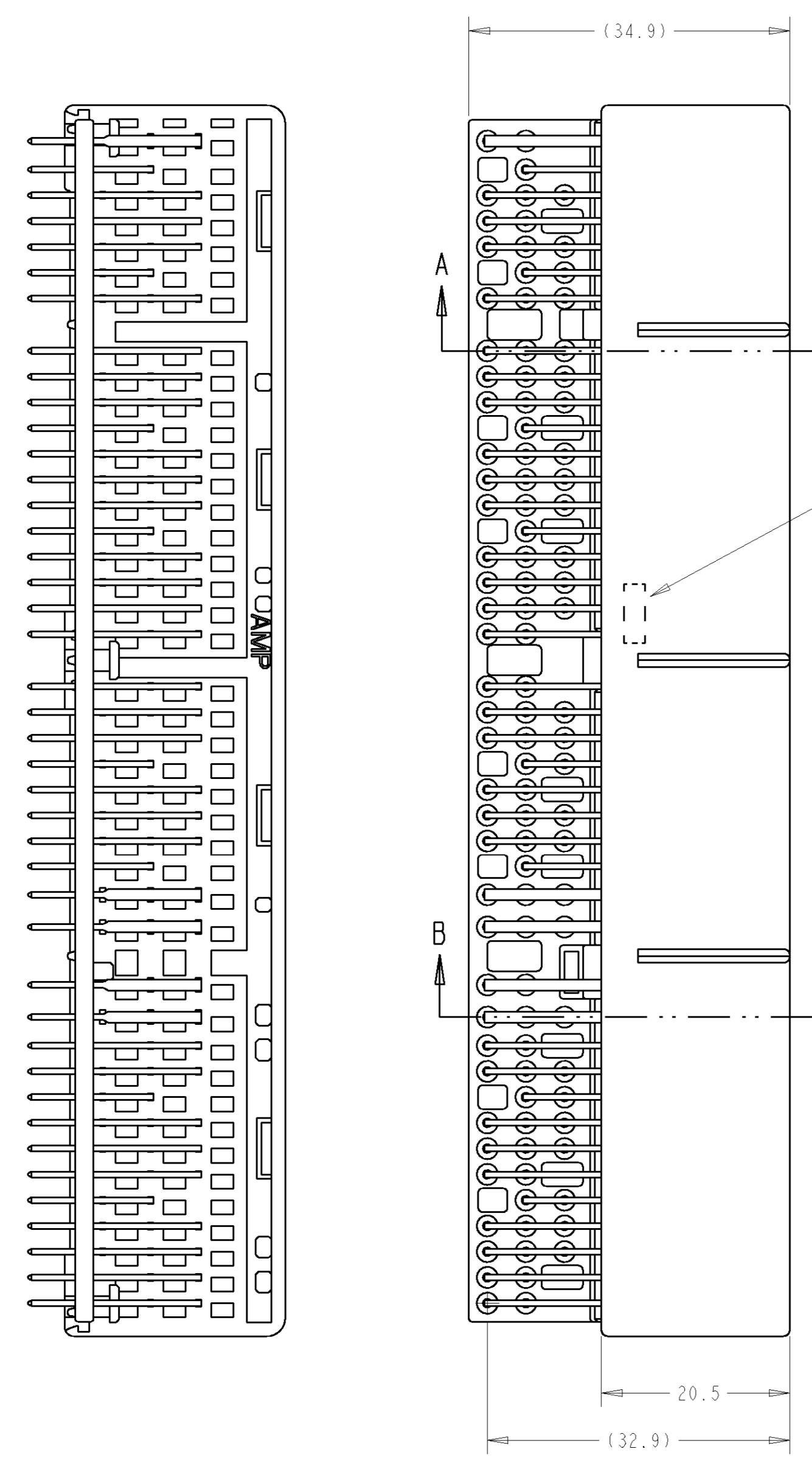


LOC	REV	DATE	BY	CHKD	APPR	DESCRIPTION
FX	55					
C	REV PER EC	0K80-0047-03	16MAY2003	RGV	TJV	
C1	REV PER EC	0K80-0140-03	16MAY2003	RGV	TJV	
C2	REV PER EC	0K80-0146-03	29MAY2003	RGV	TJV	
C3	REV PER EC	0K80-0409-03	07JAN2004	RGV	TJV	



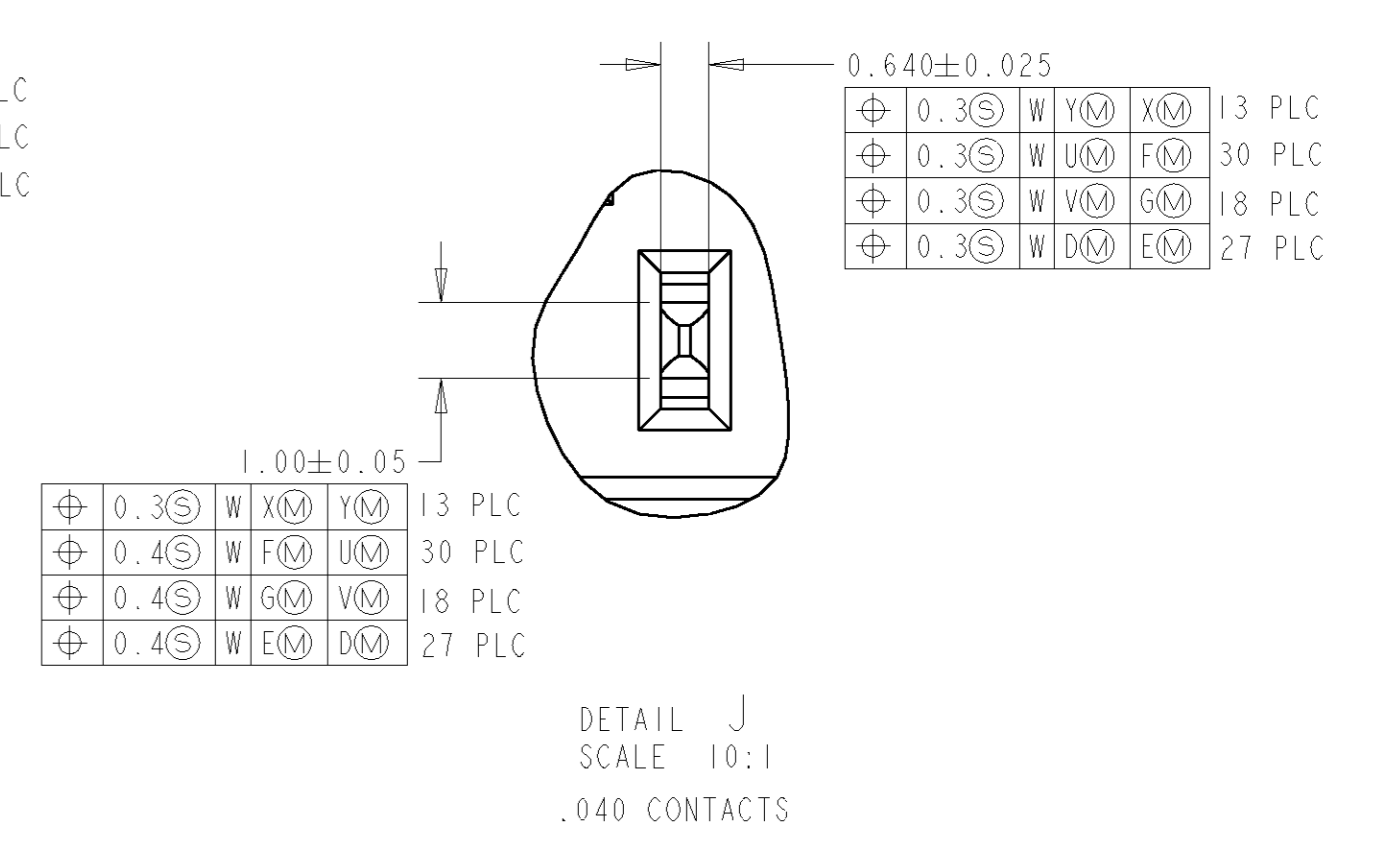
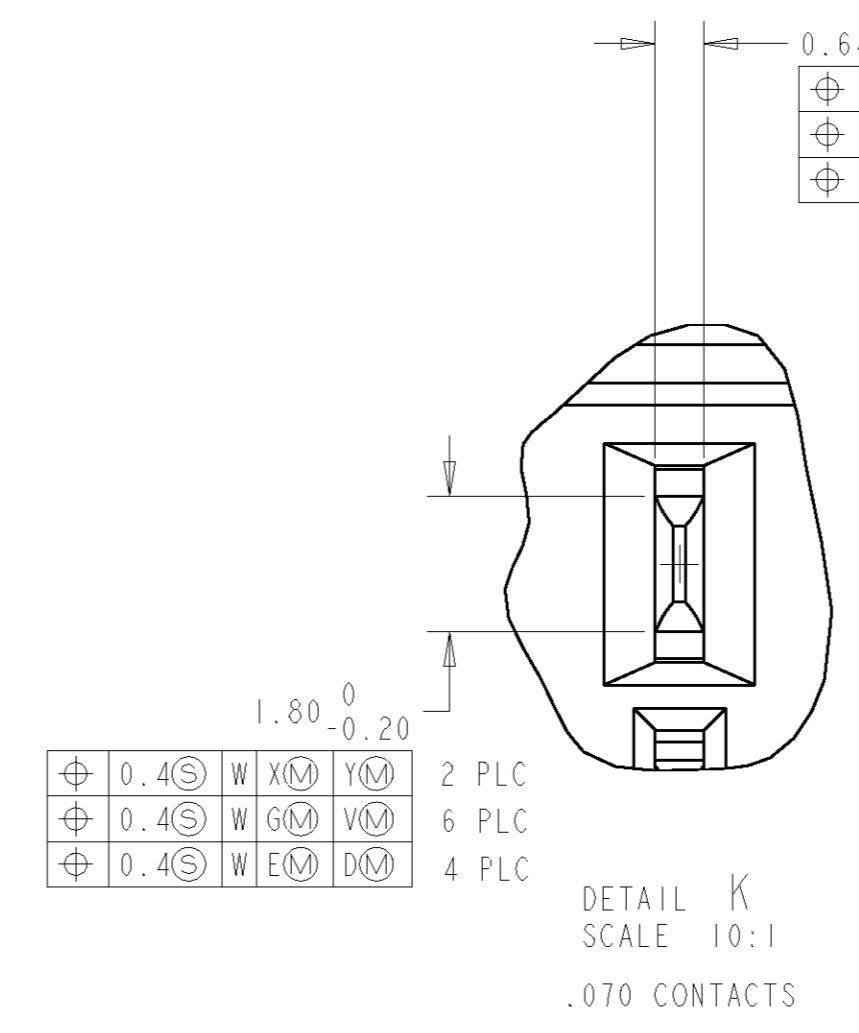
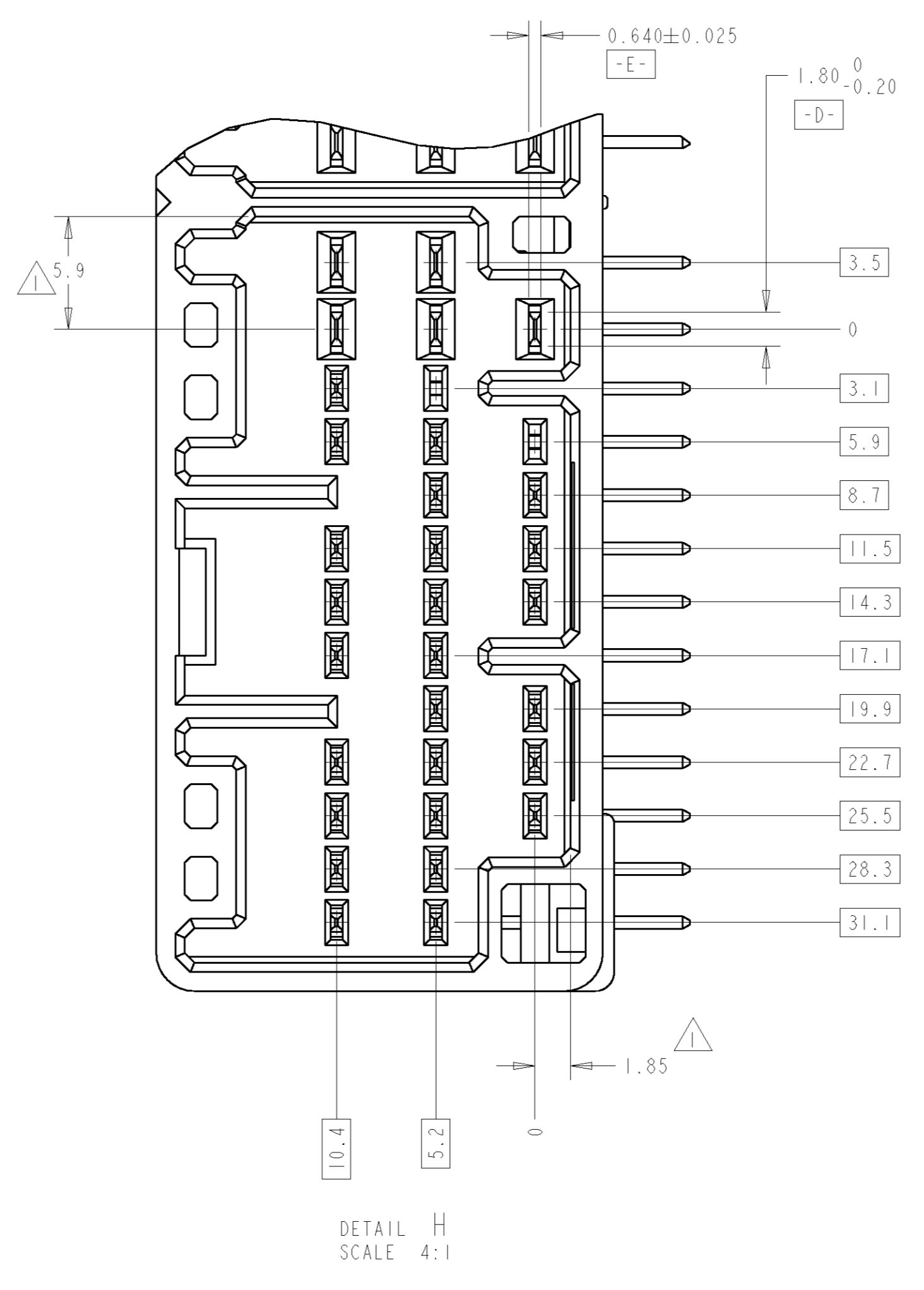
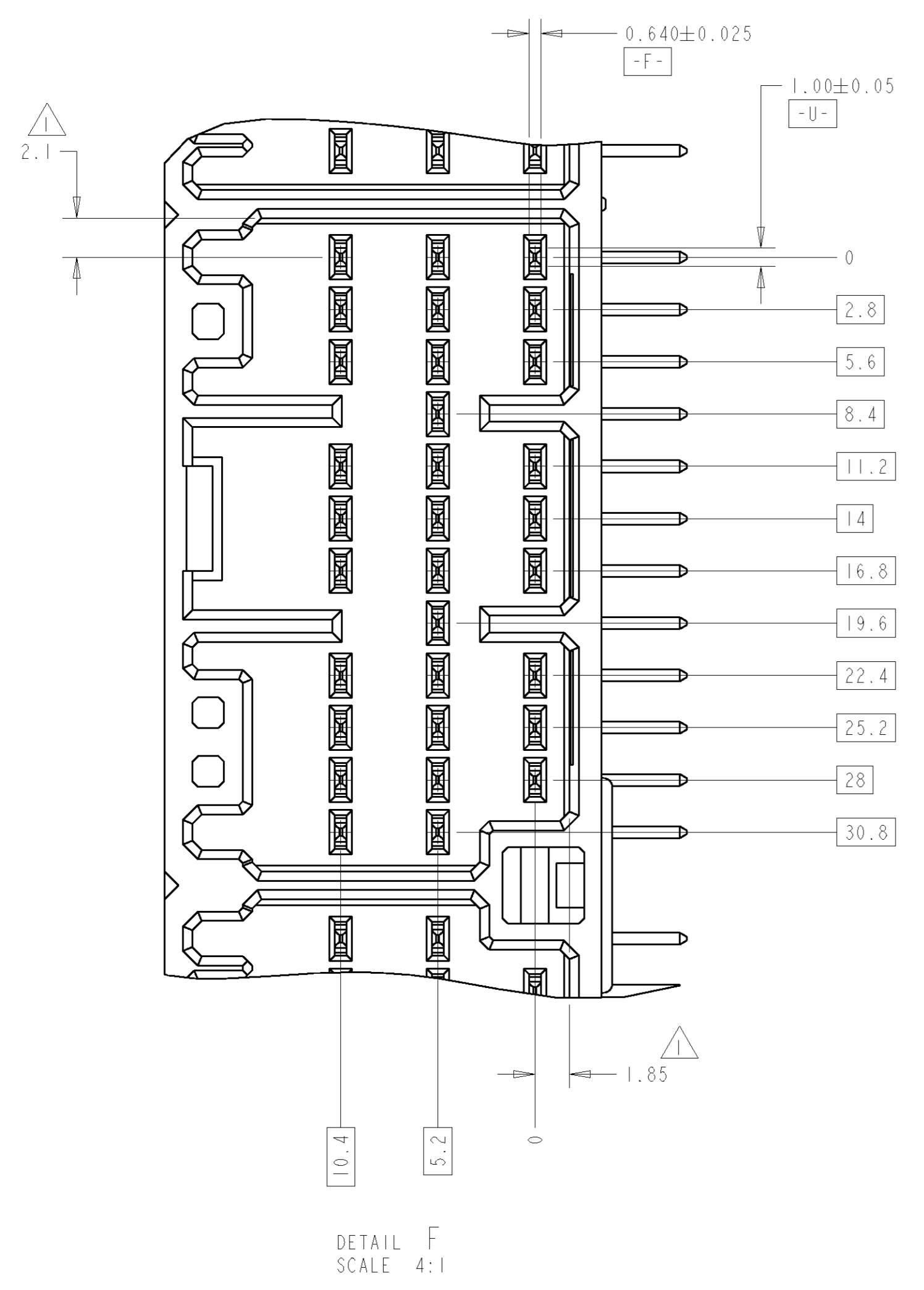
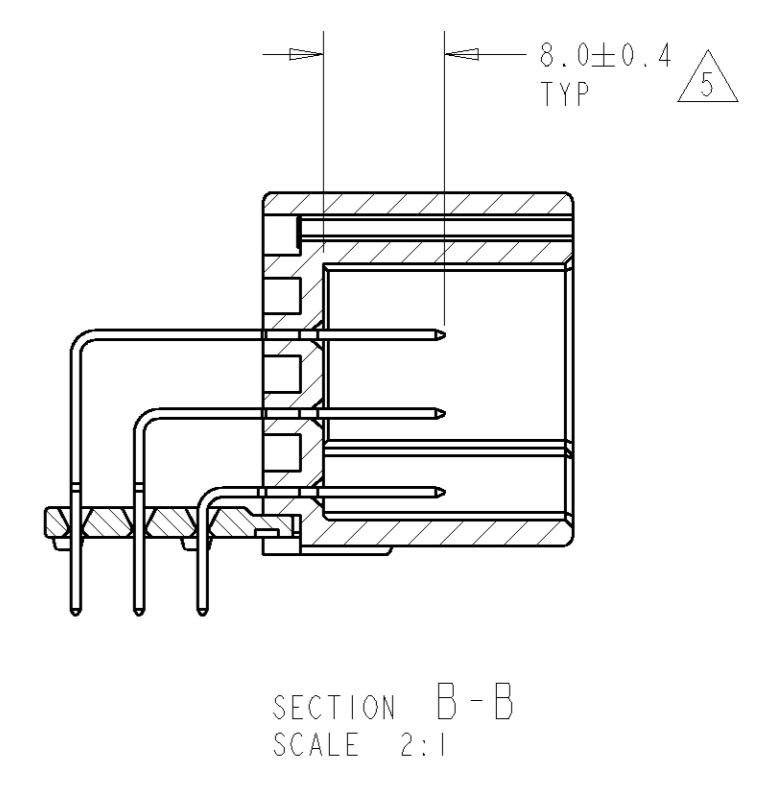
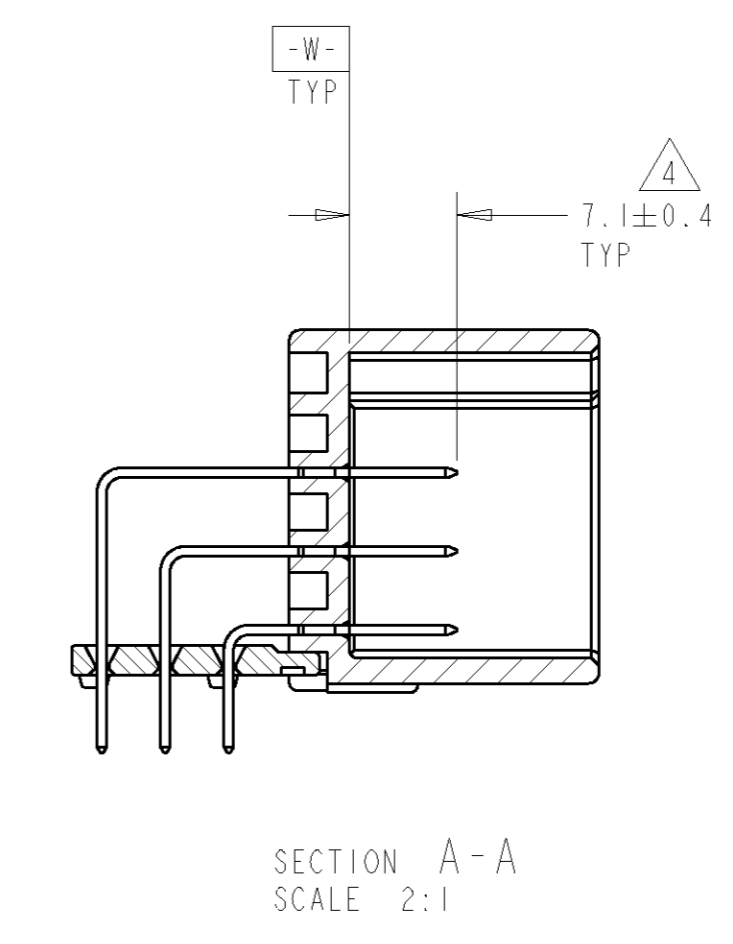
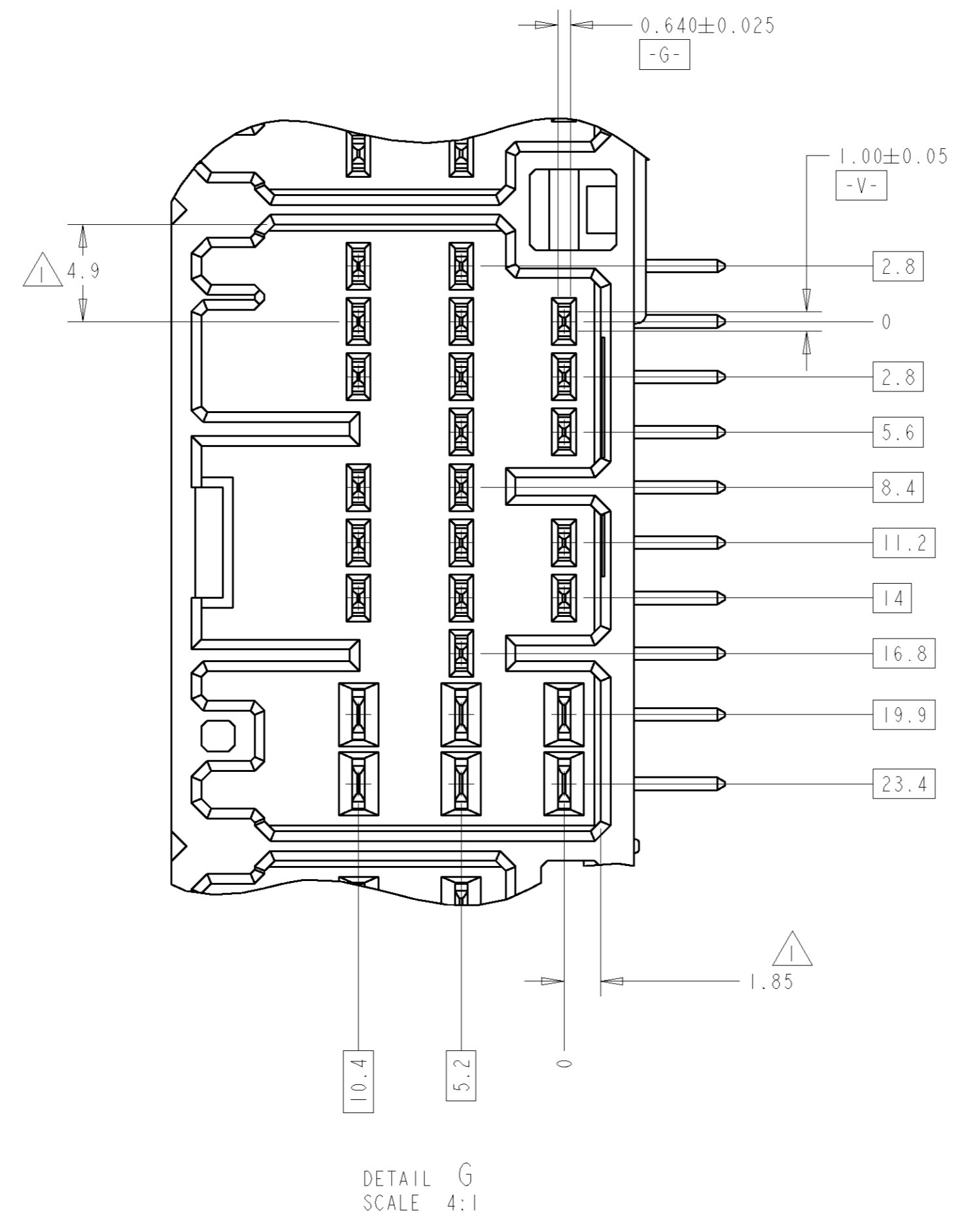
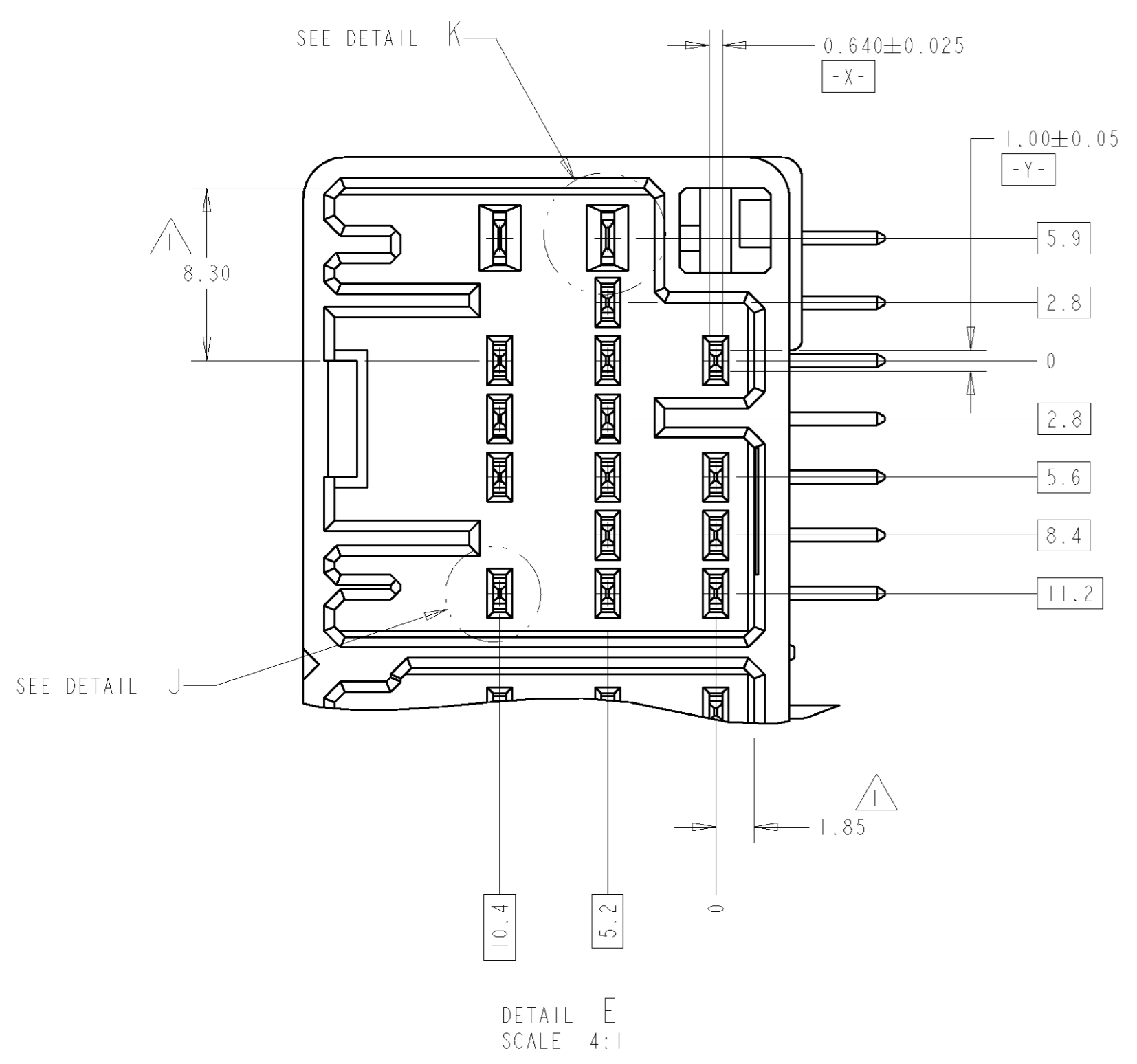
MOUNTING DIMENSIONS FOR PC BOARD  
 RECOMMENDED TOLERANCES: ±0.1

- △ MUST BE MEASURED BETWEEN  $\square$ -W- AND 2.00 MM.
- 2. MATING PLUG HOUSING PART NUMBERS: 179678, 179679, 179680, 179681.
- 3. RECOMMENDED MOUNTING SCREW: 3MM DIA, 6MM LG MAX. PAN HD, CLASS 2 TAPPING SCREW SPECIFIED IN JIS B1115, B1112. TIGHTENING TORQUE: 0.4Nm (4Kg-cm) MAX.
- 4 FOR .040 TAB.
- 5 FOR .070 TAB.
- 6 MATING FINISH: .040 TABS - PREPLATED TIN  
.070 TABS - PREPLATED TIN
- 7 DATE CODE BY HOT STAMP.

BRASS	△6	PBT	GRAY	179686-6
MATERIAL	FINISH	MATERIAL	COLOR	PART NO
CONTACT		HOUSING		

DIMENSIONS: mm 9 PLC ±0.15 1 PLC ±0.15 2 PLC ±0.15 3 PLC ±0.15 4 PLC ±0.15 ANGLES ±°		TOLERANCES UNLESS OTHERWISE SPECIFIED: FINISH: △6		DWN J MCNEAL 140C198 CRK R SMITH 140C198 APVD R SMITH 140C198		AMP Incorporated Harrisburg, PA 17105-3608	
MATERIAL SEE TABLE		WEIGHT 50.73 GRAM		CUSTOMER DRAWING		tyco Electronics ASSY, CAP HOUSING, 104 POSN 04011/07011 HD HYBRID I/O CONNECTOR	
SCALE 2:1		SHEET 1 OF 2		REV C3		RESTRICTED TO	

LOC	QTY	REV	DESCRIPTION	DATE	DWN	APPD
FX	55		SEE SHEET 1			



DIMENSIONS:		TOLERANCES UNLESS OTHERWISE SPECIFIED:		DWN	J MCNEAL	140C198	<b>tyco</b> AMP Incorporated Harrisburg, PA 17105-3608
mm		9 PLC ±0.15 1 PLC ±0.15 3 PLC ±0.15 4 PLC ± ANGLES ±		CHK	R SMITH	140C198	
MATERIAL		FINISH		APPD	R SMITH	140C198	NAME
				PRODUCT SPEC			ASSY, CAP HOUSING, 104 POSN
				APPLICATION SPEC			04011/07011 HD HYBRID I/O CONNECTOR
				WEIGHT			SIZE
				CUSTOMER DRAWING			00779 C=179686
				SCALE		2:1	SHEET 2 OF 2
				REV		C3	

## X-ON Electronics

Largest Supplier of Electrical and Electronic Components

*Click to view similar products for [Automotive Connectors](#) category:*

*Click to view products by [TE Connectivity](#) manufacturer:*

Other Similar products are found below :

[003-018-000](#) [60403001](#) [60993906-B](#) [M902-2131](#) [M902-2161](#) [72.330.1035.1](#) [73.353.4028.0](#) [F119300-B](#) [F166900](#) [F258300-B](#) [F358300-B](#)  
[F407400](#) [F444110](#) [F487000](#) [F509500B-B](#) [827153-1](#) [8N1515-32-24P](#) [9-1326729-8](#) [925474-1](#) [928905-1](#) [964562-4](#) [968782-1](#) [GT17SA-8DS-](#)  
[HU](#) [98891-1012](#) [98947-1016](#) [12004147](#) [12004475-L](#) [12010290](#) [12010309-B](#) [12015454](#) [12020219-B](#) [12020308](#) [12041318-B](#) [12052225-L](#)  
[12052466](#) [12059125](#) [12064869](#) [12004327-B](#) [12010503-B](#) [12015308](#) [12015384](#) [12015909](#) [1-21030-1](#) [12041254](#) [12041318](#) [12047946-B](#)  
[12047957](#) [12047957-L](#) [12059473](#) [12066261](#)