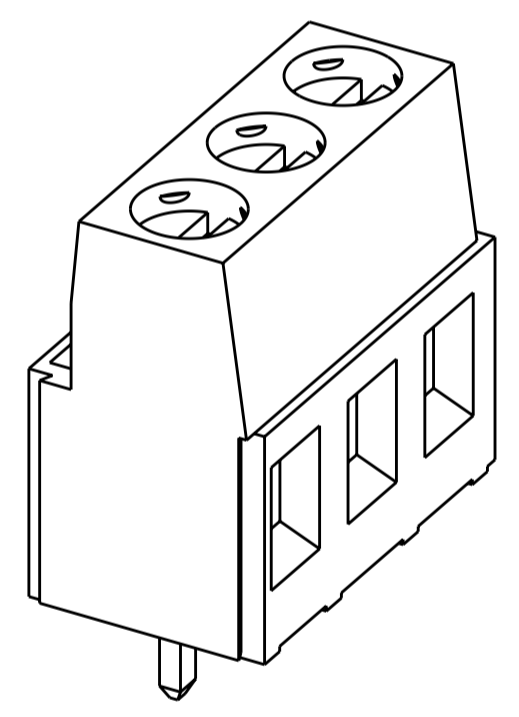
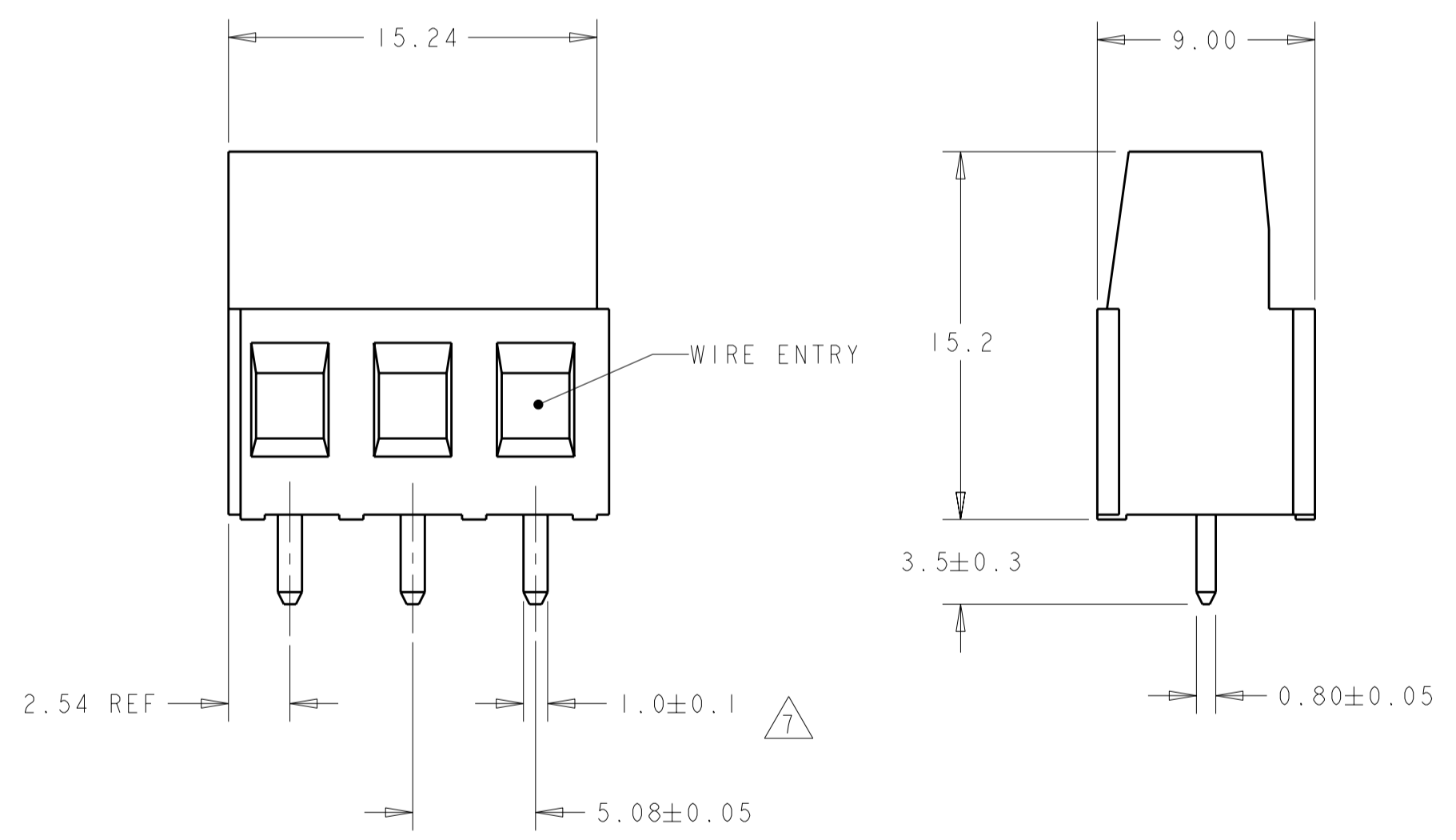
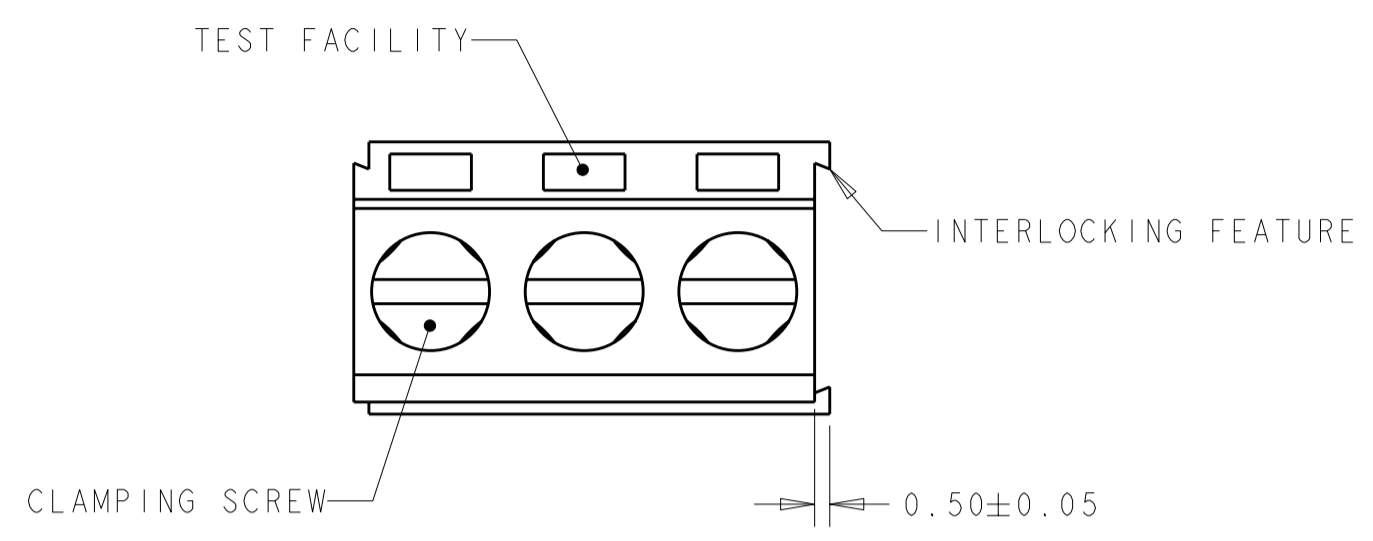


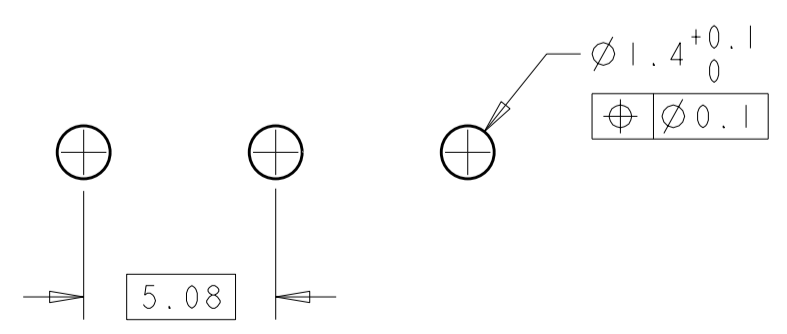
THIS DRAWING IS UNPUBLISHED. RELEASED FOR PUBLICATION 20
 © COPYRIGHT 20 ALL RIGHTS RESERVED.

LOC	DIST	REVISIONS					
FT	0	P	LTR	DESCRIPTION	DATE	DWN	APVD
			DI	REVISED PER ECO-11-005294	06APR2011	RK	HMR

- 1. MATERIALS AND FINISH:
 HOUSING: PA 6-6, UL 94-V0, COLOR:BLACK.
 CLAMP: BRASS, NICKEL PLATED.
 TERMINAL: BRASS, TIN PLATED.
 CLAMPING SCREW: M3, BRASS, NICKEL PLATED.
- 2. SUITABLE FOR 1,6-2,4mm. PCB THICKNESS.
- 3. END-TO-END STACKABLE W/INTERLOCK WITHOUT LOSS OF CENTERLINE SPACING.
- 4. WIRE SIZE RANGE: 12 - 30 AWG
- 5. RECOGNIZED UNDER THE COMPONENT PROGRAM OF UNDERWRITERS LABORATORIES INC. FILE No E60677.
- 6. IMQ CERTIFICATE WITH SURVEILLANCE IN CONFORMITY WITH IEC 998-1/998-2-1.
- 7. NOT CUMULATIVE TOLERANCE.
- 8. WHITE INK STAMPING.
- 9. BUCHANAN LOGO TO APPEAR ON HOUSING, LOCATION OPTIONAL, WHERE SPACE PERMITS.



796949-3 AS SHOWN



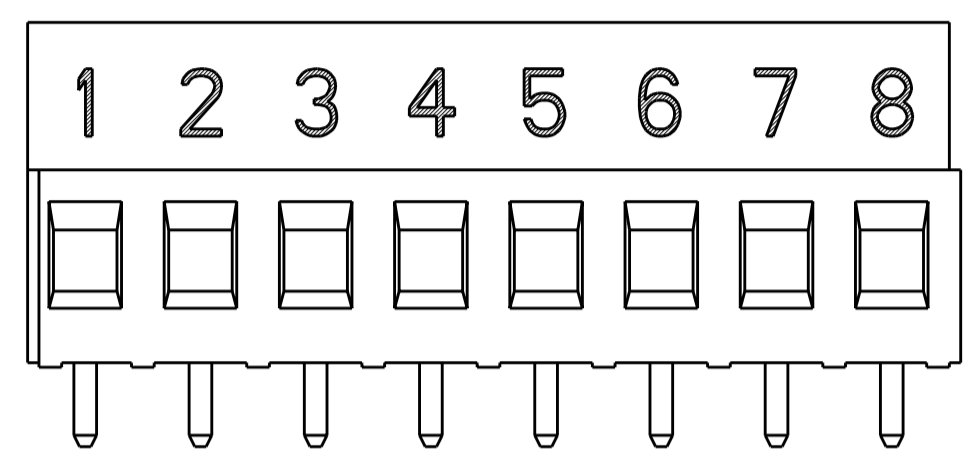
RECOMMENDED PC BOARD LAYOUT
SCALE 5:1

SEE DETAIL P	30.48	6	3-796949-1
SEE DETAIL N	10.16	2	3-796949-0
SEE DETAIL M	40.64	8	2-796949-9
SEE DETAIL L	40.64	8	2-796949-8
-	127.00	25	2-796949-5
-	121.92	24	2-796949-4
-	116.84	23	2-796949-3
-	111.76	22	2-796949-2
-	106.68	21	2-796949-1
-	101.60	20	2-796949-0
-	96.52	19	1-796949-9
-	91.44	18	1-796949-8
-	86.36	17	1-796949-7
-	81.28	16	1-796949-6
-	76.20	15	1-796949-5
-	71.12	14	1-796949-4
-	66.04	13	1-796949-3
-	60.96	12	1-796949-2
-	55.88	11	1-796949-1
-	50.80	10	1-796949-0
-	45.72	9	796949-9
-	40.64	8	796949-8
-	35.56	7	796949-7
-	30.48	6	796949-6
-	25.40	5	796949-5
-	20.32	4	796949-4
-	15.24	3	796949-3
-	10.16	2	796949-2
MARKING	A	POSN	PART NUMBER

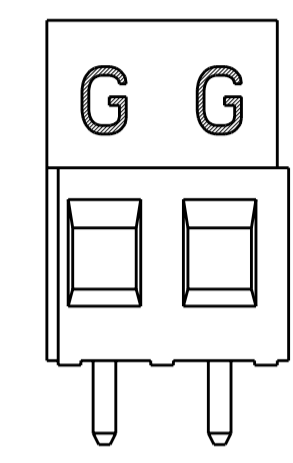
THIS DRAWING IS A CONTROLLED DOCUMENT.		DWN S. WELDON 22AUG2001	TE Connectivity	
DIMENSIONS: mm		CHK D. BIEVENOUR 22AUG2001		
TOLERANCES UNLESS OTHERWISE SPECIFIED:		APVD D. BIEVENOUR 22AUG2001	NAME	
0 PLC ±0		PRODUCT SPEC	TERMINAL BLOCK	
1 PLC ±.3		APPLICATION SPEC	PCB MOUNT	
2 PLC ±.25		WEIGHT	W/INTERLOCK, 5.08mm PITCH	
3 PLC ±0		SCALE	SIZE	CAGE CODE
4 PLC ±0		4:1	A200779	C-796949
ANGLES ±2°		SHEET	1	OF 2
FINISH		REV	D1	

THIS DRAWING IS UNPUBLISHED. RELEASED FOR PUBLICATION 20
 © COPYRIGHT 20 ALL RIGHTS RESERVED.

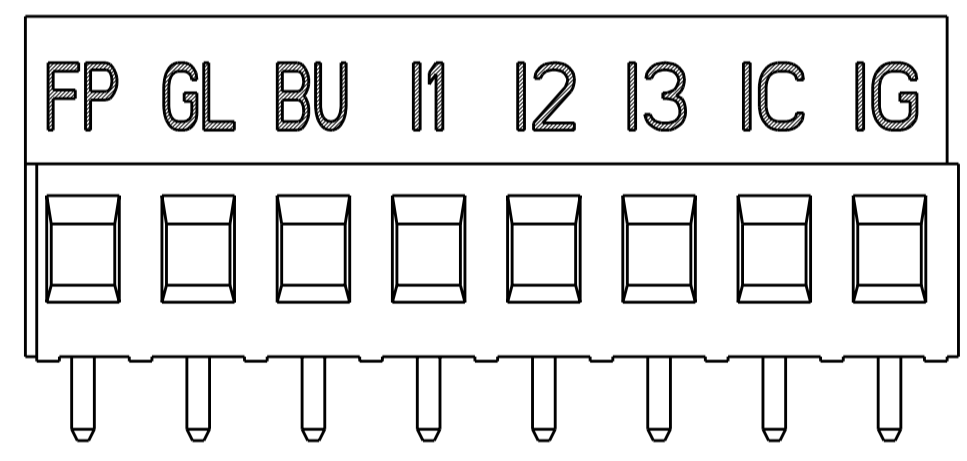
LOC	DIST	REVISIONS				
P	LTR	DESCRIPTION	DATE	DWN	APVD	
FT	0	-	SEE SHEET 1	-	-	



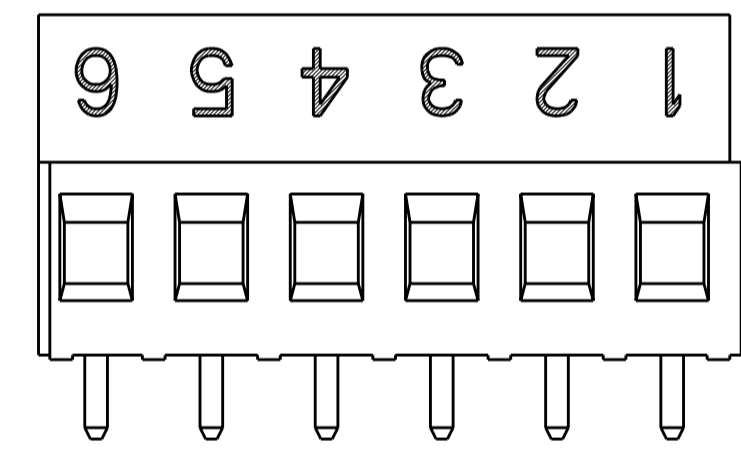
DETAIL L \triangle 8



DETAIL N \triangle 8



DETAIL M \triangle 8



DETAIL P \triangle 8

THIS DRAWING IS A CONTROLLED DOCUMENT.		DWN S. WELDON	22AUG2001	STE TE Connectivity
DIMENSIONS: mm		CHK D. BIEVENOUR	22AUG2001	
TOLERANCES UNLESS OTHERWISE SPECIFIED:		APVD D. BIEVENOUR	22AUG2001	
<ul style="list-style-type: none"> 0 PLC ± 0 1 PLC ± 3 2 PLC ± 25 3 PLC ± 0 4 PLC ± 0 ANGLES $\pm 2^\circ$ FINISH 		PRODUCT SPEC	-	
MATERIAL	-	APPLICATION SPEC	-	NAME TERMINAL BLOCK PCB MOUNT W/INTERLOCK, 5.08mm PITCH
		WEIGHT	-	SIZE A200779
		CUSTOMER DRAWING	SCALE 4:1	CAGE CODE C-796949
				DRAWING NO 796949
				RESTRICTED TO -
				SHEET 2 OF 2
				REV D1

X-ON Electronics

Largest Supplier of Electrical and Electronic Components

Click to view similar products for [Fixed Terminal Blocks](#) category:

Click to view products by [TE Connectivity](#) manufacturer:

Other Similar products are found below :

[MBE-1512](#) [MBE-1520](#) [MBE-154](#) [MBE-156](#) [MBES-156](#) [MH-2512](#) [MHE-132](#) [MHE-163](#) [MI-254 \(35\)](#) [MI-272](#) [MPT-275](#) [ELM10110G](#)
[BA311TU](#) [BA411SU](#) [MV-254-D](#) [MV-255](#) [MV-493](#) [MVE-252](#) [MVE-253](#) [MVEB-153](#) [1700096](#) [1705142](#) [1712417](#) [1713088](#) [1760594](#) [1-796689-8](#) [1800114](#) [20020314-C121B01LF](#) [20020316-G041B01LF](#) [KP03215000J0G](#) [KP04215000J0G](#) [S451](#) [29.007](#) [29.116](#) [30.103](#) [30.503](#)
[30.608](#) [30.755](#) [30.756](#) [30.853](#) [9872-0-00-15-00-00-33-0](#) [996750](#) [1706303](#) [1710052](#) [1733868](#) [1777707](#) [1786769](#) [1-796692-3](#) [1800883](#)
[1868982](#)