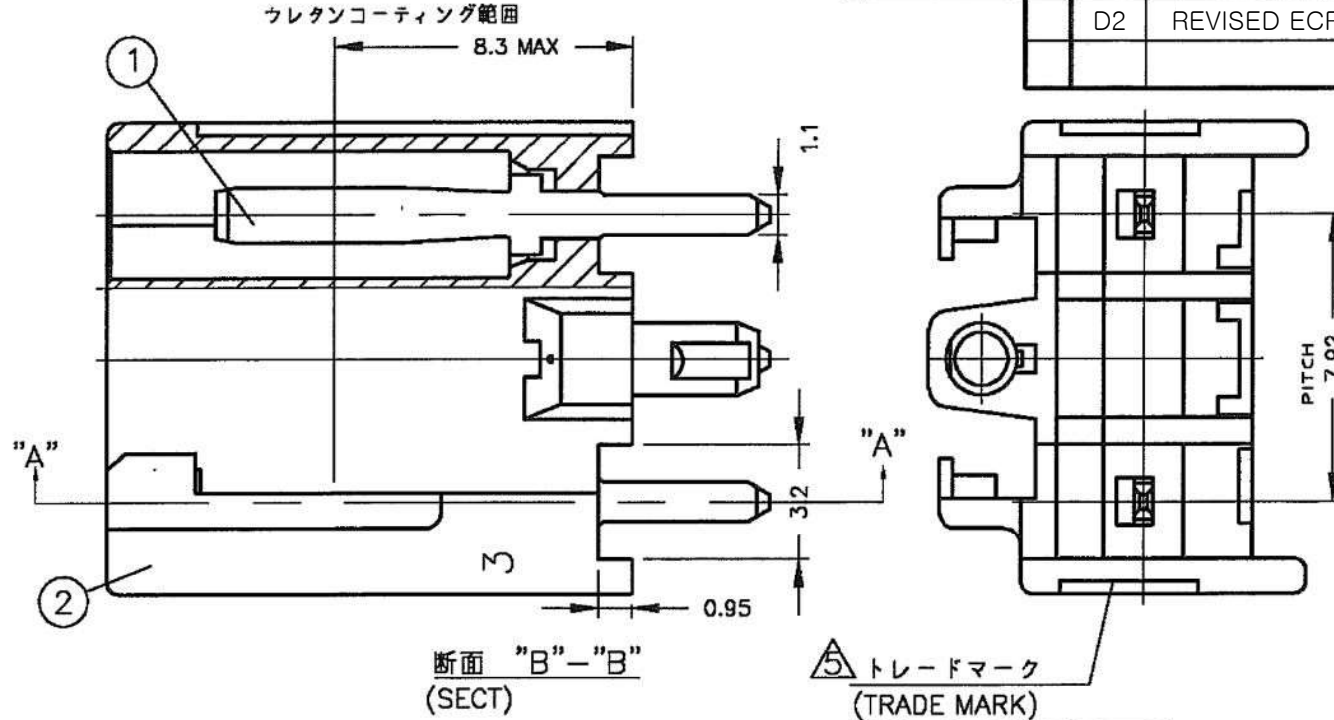
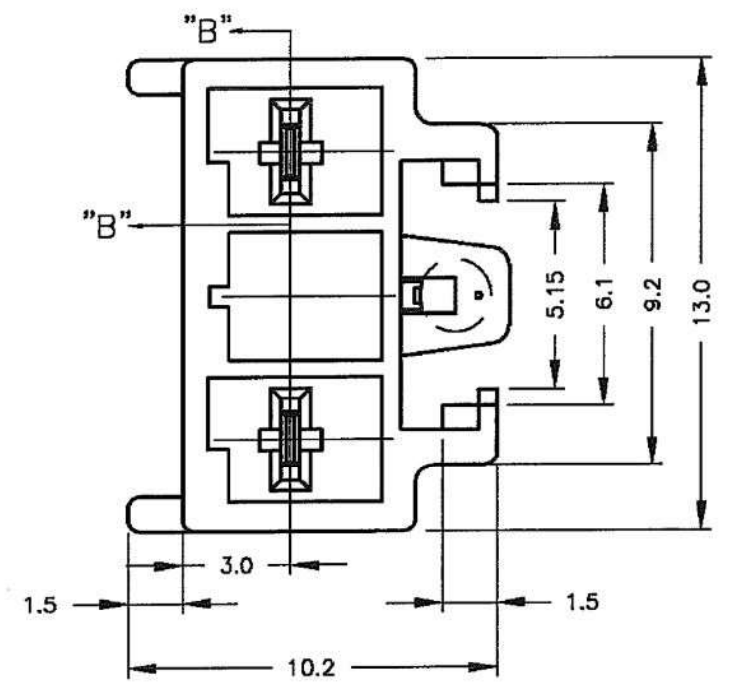


THIS DRAWING IS UNPUBLISHED. RELEASED FOR PUBLICATION  
 © COPYRIGHT BY TYCO ELECTRONICS CORPORATION. ALL RIGHTS RESERVED.

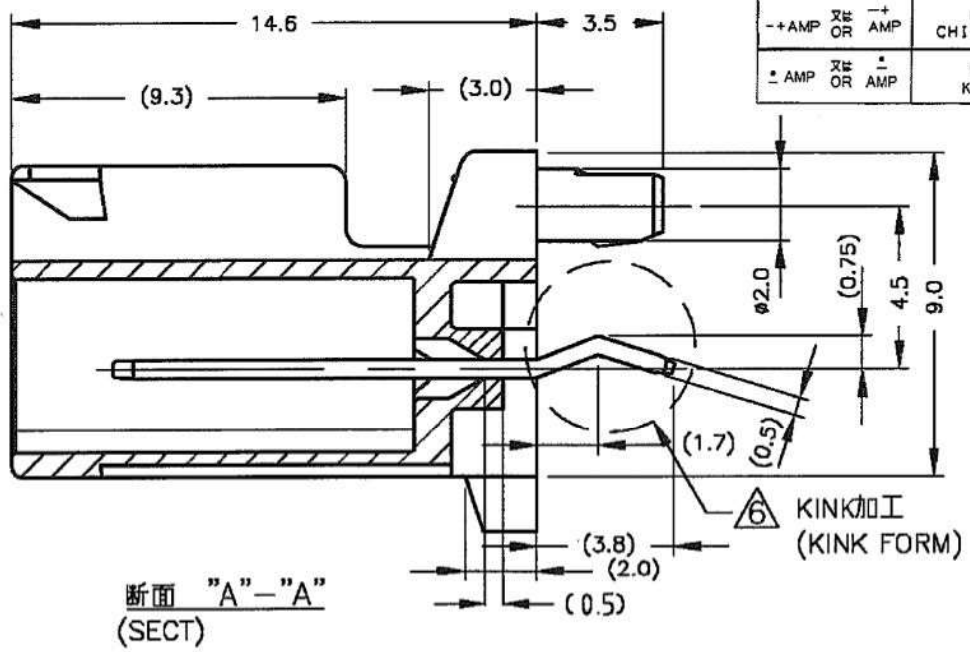
LOC	DIST	REVISIONS			
P	LTR	DESCRIPTION	DATE	DWN	APVD
J	-	D2	REVISED ECR-15-005941	17APR15	SC BW



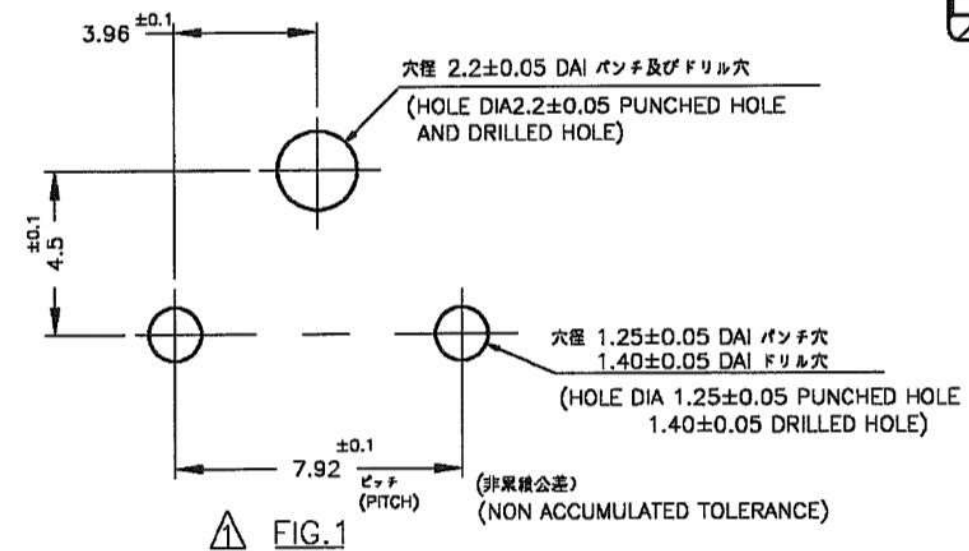
- NOTES :
- △ RECOMMENDED P.C.B LAYOUT : SEE FIG. 1
  - 2. APPLICABLE P.C.B THICKNESS : 1.6 t
  - 3. MATING CONN. P/N  
 - PLUG HOUSING : 177899-X  
 - REC CONTACT : 177914-X, 177915-X
  - 4. PRODUCT SPEC : 108-5410
  - △ TRADE MARK MARKED LOCATION CODE OF MANUFACTURING PLACE
  - △ WITHOUT KINK TYPE CAN'T BE FIXED ON P.C.B TEMPORARY BEFORE SOLDERING

表 1 (TABLE 1)

No	名称(NAME)	材料(MATERIAL)
①	タブ(TAB)	銅合金: 錫めっき (COPPER ALLOY TIN PLATED)
②	ヘッダーハウジング (HEADER HOUSING)	6/6ナイロンガラス強化(UL94V-0) (6/6 NYLON GRASS FILLED)



トレードマーク	製造場所	MANUFACTURING PLACE
-AMP 又は OR AMP	日本	JAPAN
+AMP 又は OR AMP	中国	CHINA (PRC)
AMP 又は OR AMP	韓国	KOREA



WITHOUT KINK	TRAY	COLOR	P/N	
△	TRAY	BLUE	9-179844-6	
		NATURAL	9-179844-1	
WITH KINK	POLY BAG	BLUE	1-179844-6	
		YELLOW	1-179844-4	
		RED	1-179844-2	
		NATURAL	1-179844-1	
	TRAY	OBSOLETE	BLACK	179844-9
		BLUE	179844-6	
		YELLOW	179844-4	
		RED	179844-2	
NATURAL	179844-1			

THIS DRAWING IS A CONTROLLED DOCUMENT.

DWN	N.YAMASAKI	2 NOV '00
CHK	M.SHINDO	6 NOV '00
APVD	Y.KASHIWA	6 NOV '00

tyco Electronics Tyco Electronics AMP K.K. Kawasaki, Japan

NAME: アンパワーダブルロックコネクタ  
 7.92mmピッチ2極ヘッダーアッセンブリ (V-TYPE)  
 AMP POWER DBL LOCK CONN 7.92mmPITCH 2P HEADER ASS'Y V TYPE

SIZE	CAGE CODE	DRAWING NO	RESTRICTED TO
A3	00779	C-179844	

MATERIAL: 表1参照 (SEE TABLE 1) FINISH: 表1参照 (SEE TABLE 1) WEIGHT: CUSTOMER DRAWING

SCALE: - SHEET: 1 OF 1 REV: D2

## X-ON Electronics

Largest Supplier of Electrical and Electronic Components

*Click to view similar products for [Headers & Wire Housings](#) category:*

*Click to view products by [TE Connectivity](#) manufacturer:*

Other Similar products are found below :

[892-18-020-10-001101](#) [58102-G61-06LF](#) [582553-1](#) [0009485154](#) [009176003701906](#) [0050291907](#) [LY20-4P-DT1-P1E-BR](#) [02.125.8002.8](#)  
[609-3404](#) [61062-3](#) [61082-181009](#) [622-3653LF](#) [63453-116](#) [636-1030](#) [636-1427](#) [636-3427](#) [636-4007](#) [641938-9](#) [641991-4](#) [644827-2](#) [65817-010LF](#) [65817-015LF](#) [65863-015LF](#) [66207-023LF](#) [67095-007LF](#) [67601157](#) [68645-018](#) [68648-049](#) [70.362.1628.0](#) [70-4210](#) [70-4226B](#) [70-4853B](#) [707-5020](#) [707-5028](#) [71.350.2428.0](#) [71918-208LF](#) [71961-016LF](#) [733-134](#) [733-162](#) [754199-000](#) [760-3052](#) [787-8014-00](#) [79531-3000](#)  
[FCN-360C032-B](#) [FCN-367T-T012/H](#) [FCN-723D010/2](#) [80.063.4001.1](#) [800-90-001-10-001000](#) [800-90-010-10-002000](#) [801-43-002-10-013000](#)