

P	LTR	DESCRIPTION	DATE	DWN	APVD
	D2	REVISED ECR-15-005941	17APR15	SC	BW

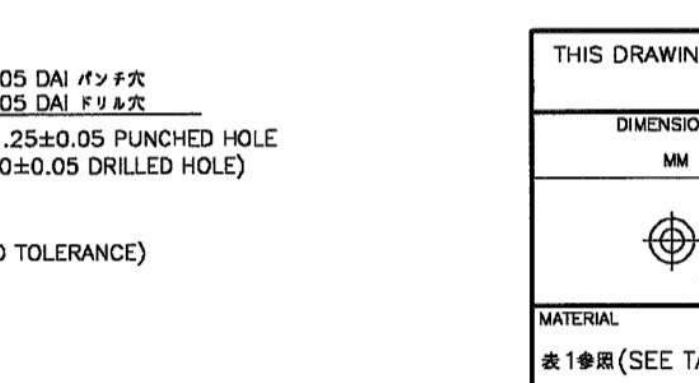
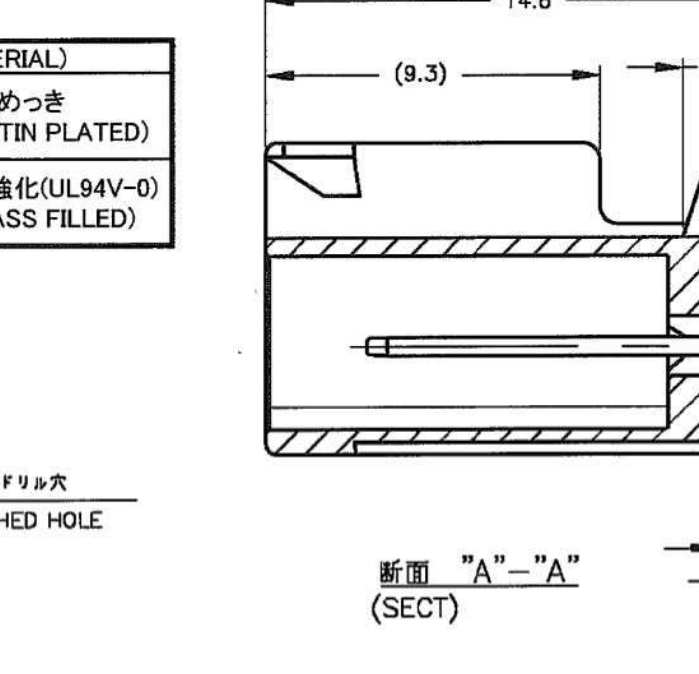
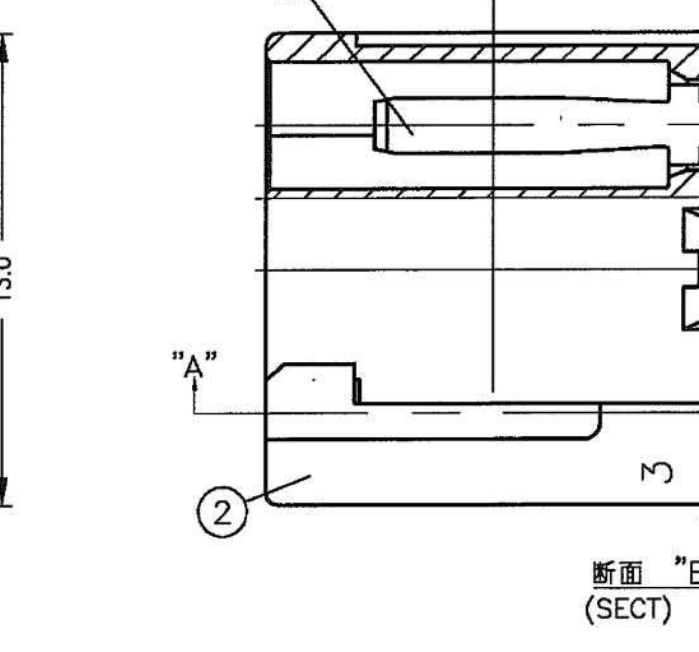
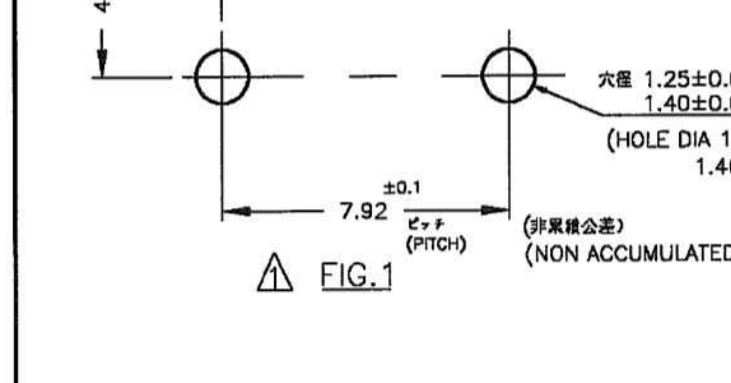
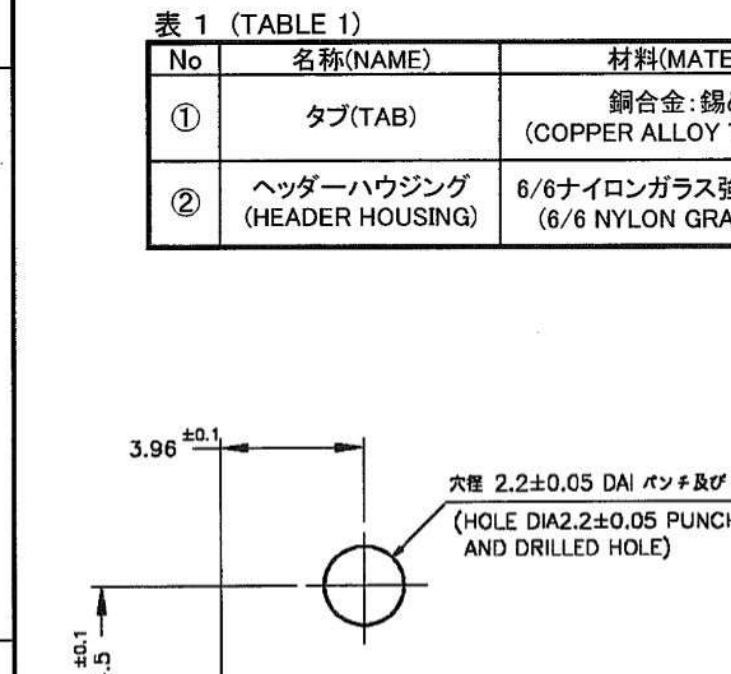
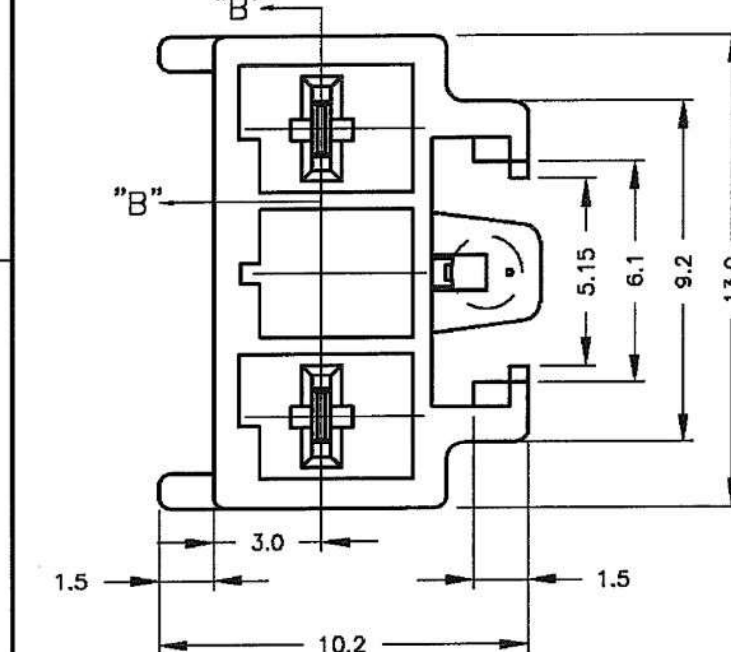


表 1 (TABLE 1)

No	名称(NAME)	材料(MATERIAL)
①	タブ(TAB)	銅合金: 錫めっき (COPPER ALLOY TIN PLATED)
②	ヘッダーハウジング (HEADER HOUSING)	6/6ナイロンガラス強化(UL94V-0) (6/6 NYLON GRASS FILLED)

TRADE MARK	MANUFACTURING PLACE
-AMP 又は OR AMP	日本 JAPAN
+AMP 又は OR AMP	中国 CHINA (PRC)
AMP 又は OR AMP	韓国 KOREA

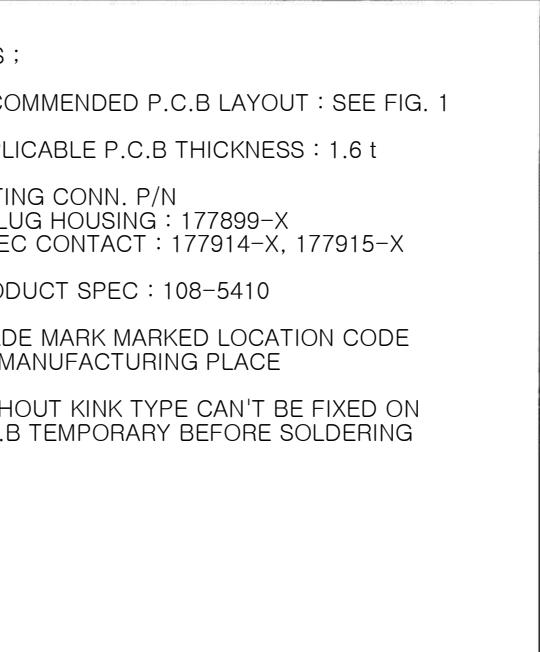
NOTES :

- RECOMMENDED P.C.B LAYOUT : SEE FIG. 1
- APPLICABLE P.C.B THICKNESS : 1.6 t
- MATING CONN. P/N
- PLUG HOUSING : 177899-X
- REC CONTACT : 177914-X, 177915-X
- PRODUCT SPEC : 108-5410

TRADE MARK MARKED LOCATION CODE OF MANUFACTURING PLACE

WITHOUT KINK TYPE CAN'T BE FIXED ON P.C.B TEMPORARY BEFORE SOLDERING

WITHOUT KINK	TRAY	COLOR	P/N	
WITHOUT KINK	TRAY	BLUE	9-179844-6	
		NATURAL	9-179844-1	
WITH KINK	POLY BAG	BLUE	1-179844-6	
		YELLOW	1-179844-4	
		RED	1-179844-2	
		NATURAL	1-179844-1	
	TRAY	OBsolete	BLACK	179844-9
		BLUE	179844-6	
		YELLOW	179844-4	
		RED	179844-2	
NATURAL	179844-1			
POST TYPE	PACKING	COLOR	P/N	



THIS DRAWING IS A CONTROLLED DOCUMENT.

DIMENSIONS: MM	TOLERANCES UNLESS OTHERWISE SPECIFIED:	DWN N.YAMASAKI 2 NOV '00	chk M.SHINDO 6 NOV '00	APVD Y.KASHIWA 6 NOV '00	PRODUCT SPEC	APPLICATION SPEC	WEIGHT	FINISH	MATERIAL
	10以下: ±0.2 10以上 30以下: ±0.25 30以上 100以下: ±0.3 角: ±3'				SEE NOTE 4			表 1参照 (SEE TABLE 1)	表 1参照 (SEE TABLE 1)

tyco Electronics Tyco Electronics AMP K.K. Kawasaki, Japan

NAME: アンパワーダブルロックコネクタ
7.92mmピッチ2極ヘッダーアッセンブリ (V-TYPE)
AMP POWER DBL LOCK CONN 7.92mm PITCH 2P HEADER ASS'Y V TYPE

SIZE: A3 CAGE CODE: 00779 DRAWING NO: C-179844 RESTRICTED TO: []

CUSTOMER DRAWING SCALE: - SHEET: 1 OF 1 REV: D2

X-ON Electronics

Largest Supplier of Electrical and Electronic Components

Click to view similar products for [Headers & Wire Housings](#) category:

Click to view products by [TE Connectivity](#) manufacturer:

Other Similar products are found below :

[892-18-020-10-001101](#) [58102-G61-06LF](#) [582553-1](#) [0009485154](#) [009176003701906](#) [0050291907](#) [LY20-4P-DT1-P1E-BR](#) [02.125.8002.8](#)
[609-3404](#) [61062-3](#) [61082-181009](#) [622-3653LF](#) [63453-116](#) [636-1030](#) [636-1427](#) [636-3427](#) [636-4007](#) [641938-9](#) [641991-4](#) [644827-2](#) [65817-](#)
[010LF](#) [65817-015LF](#) [65863-015LF](#) [66207-023LF](#) [67095-007LF](#) [67601157](#) [68645-018](#) [68648-049](#) [70.362.1628.0](#) [70-4210](#) [70-4226B](#) [70-](#)
[4853B](#) [707-5020](#) [707-5028](#) [71.350.2428.0](#) [71918-208LF](#) [71961-016LF](#) [733-134](#) [733-162](#) [754199-000](#) [760-3052](#) [787-8014-00](#) [79531-3000](#)
[FCN-360C032-B](#) [FCN-367T-T012/H](#) [FCN-723D010/2](#) [80.063.4001.1](#) [800-90-001-10-001000](#) [800-90-010-10-002000](#) [801-43-002-10-013000](#)