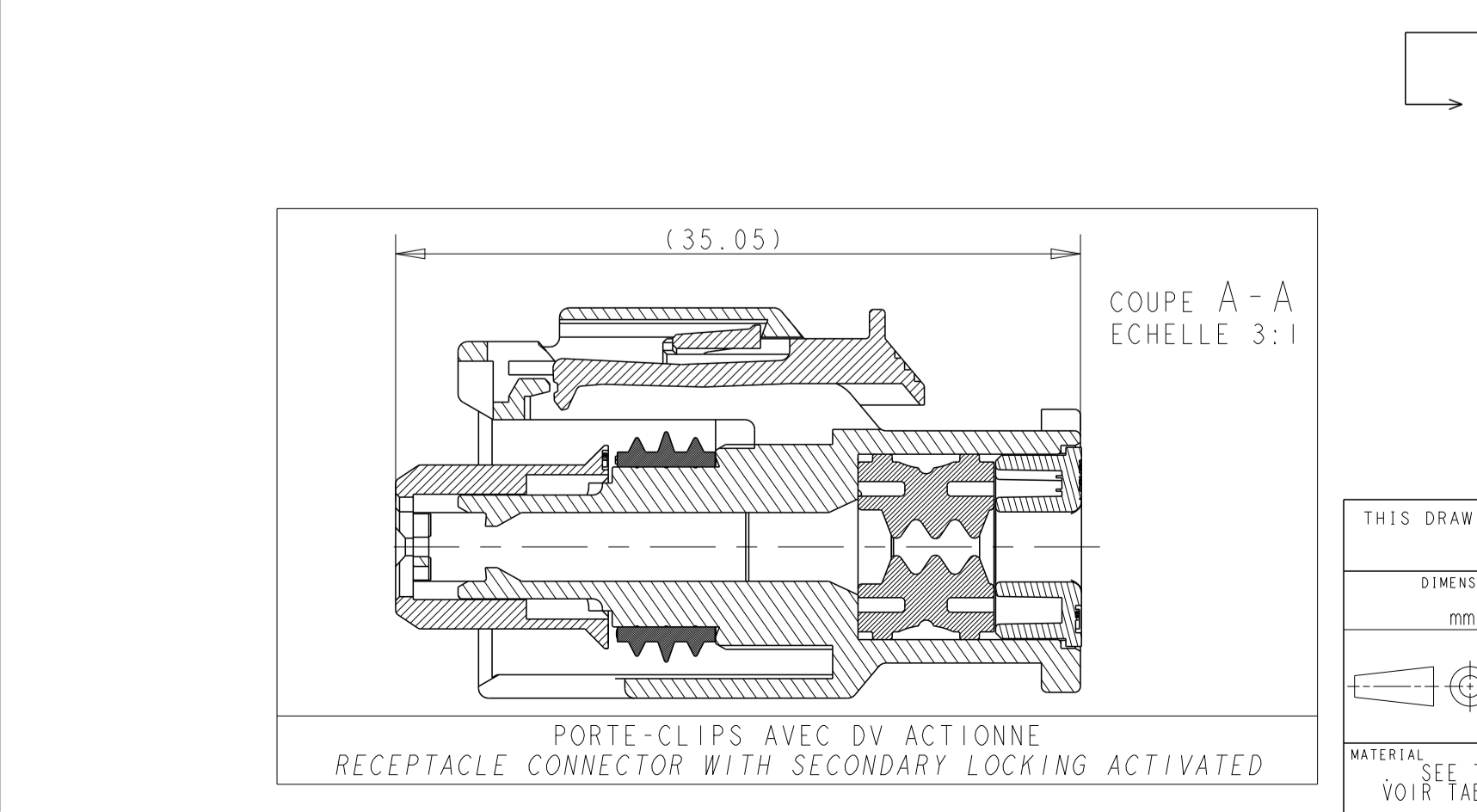
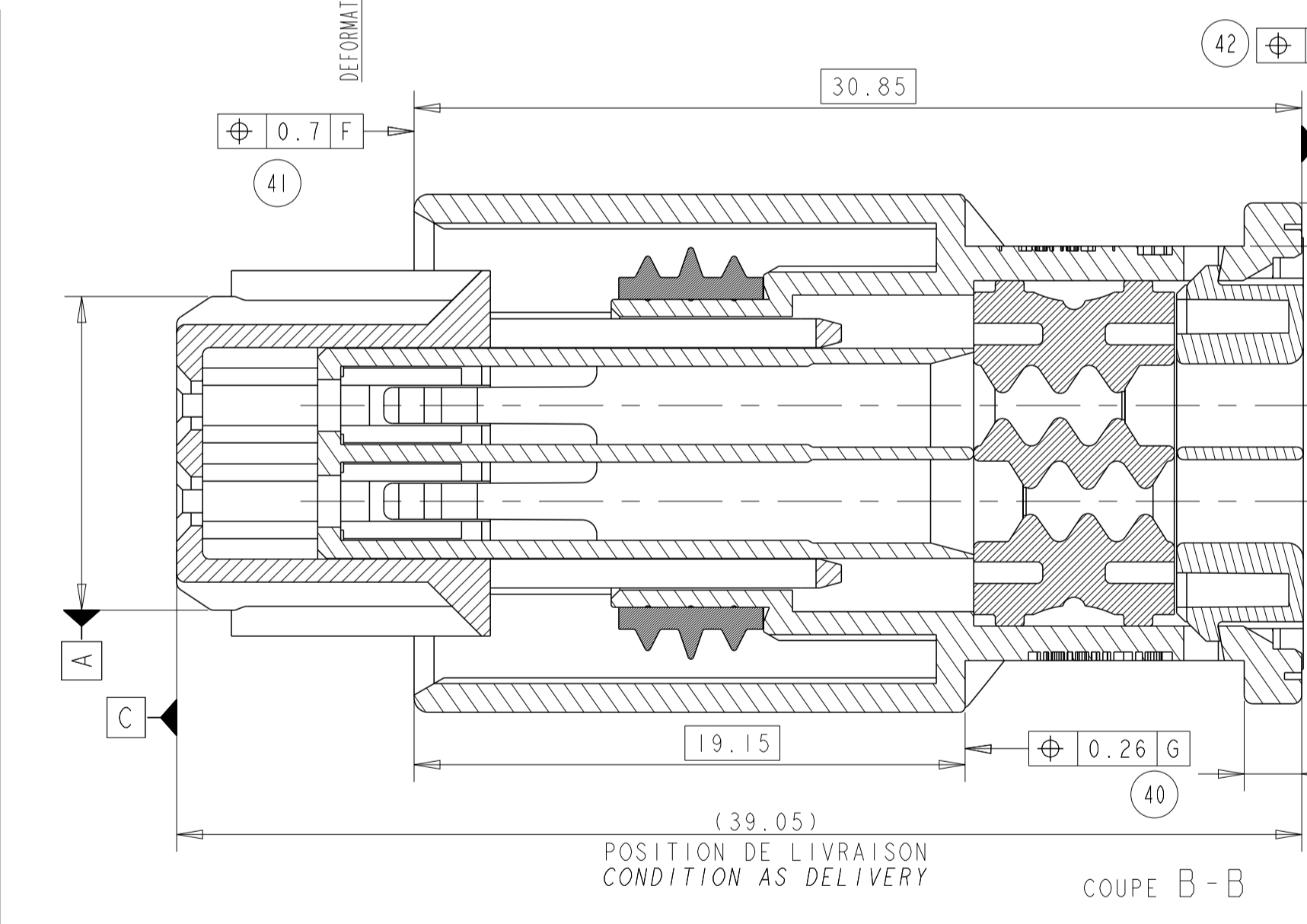
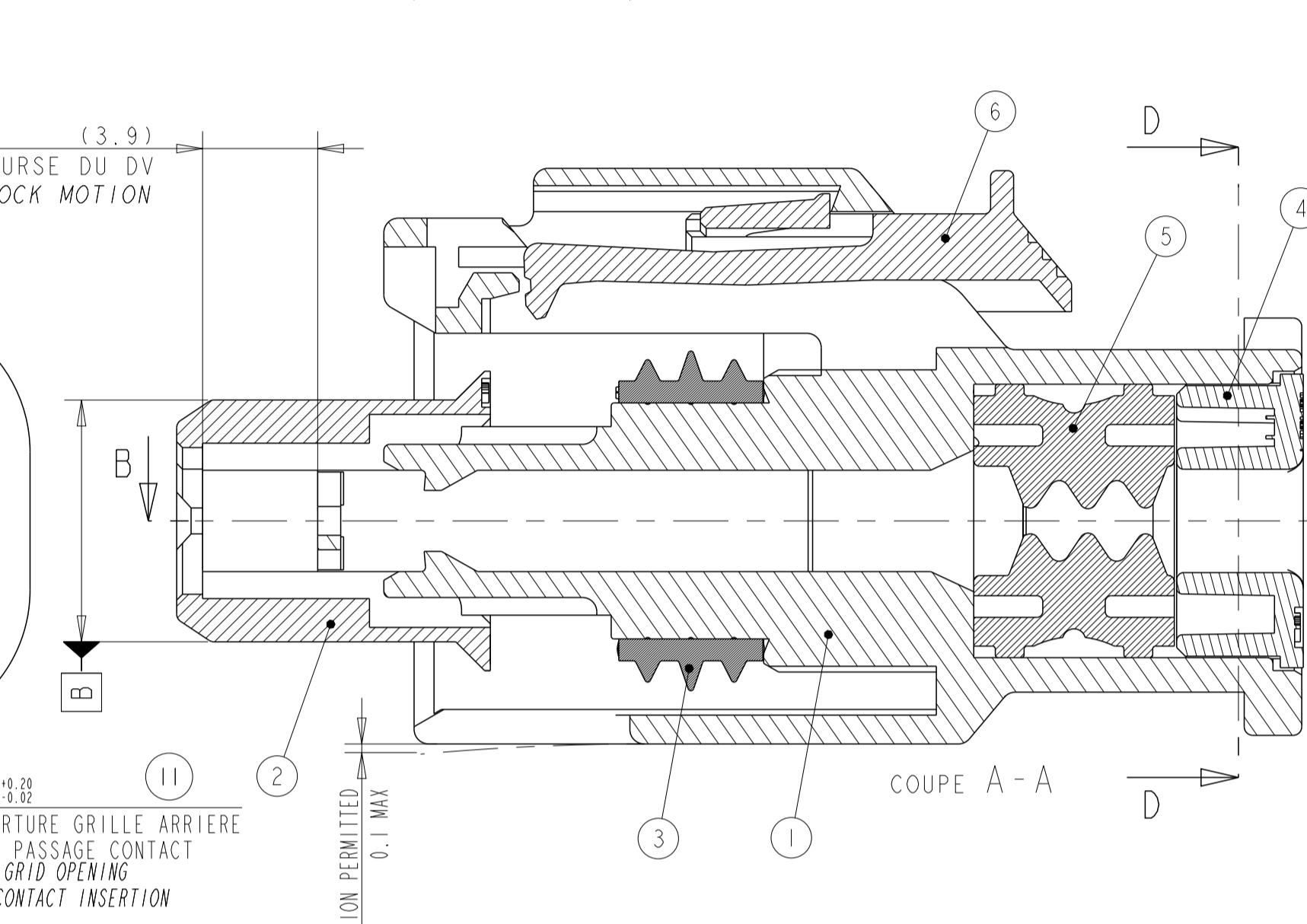
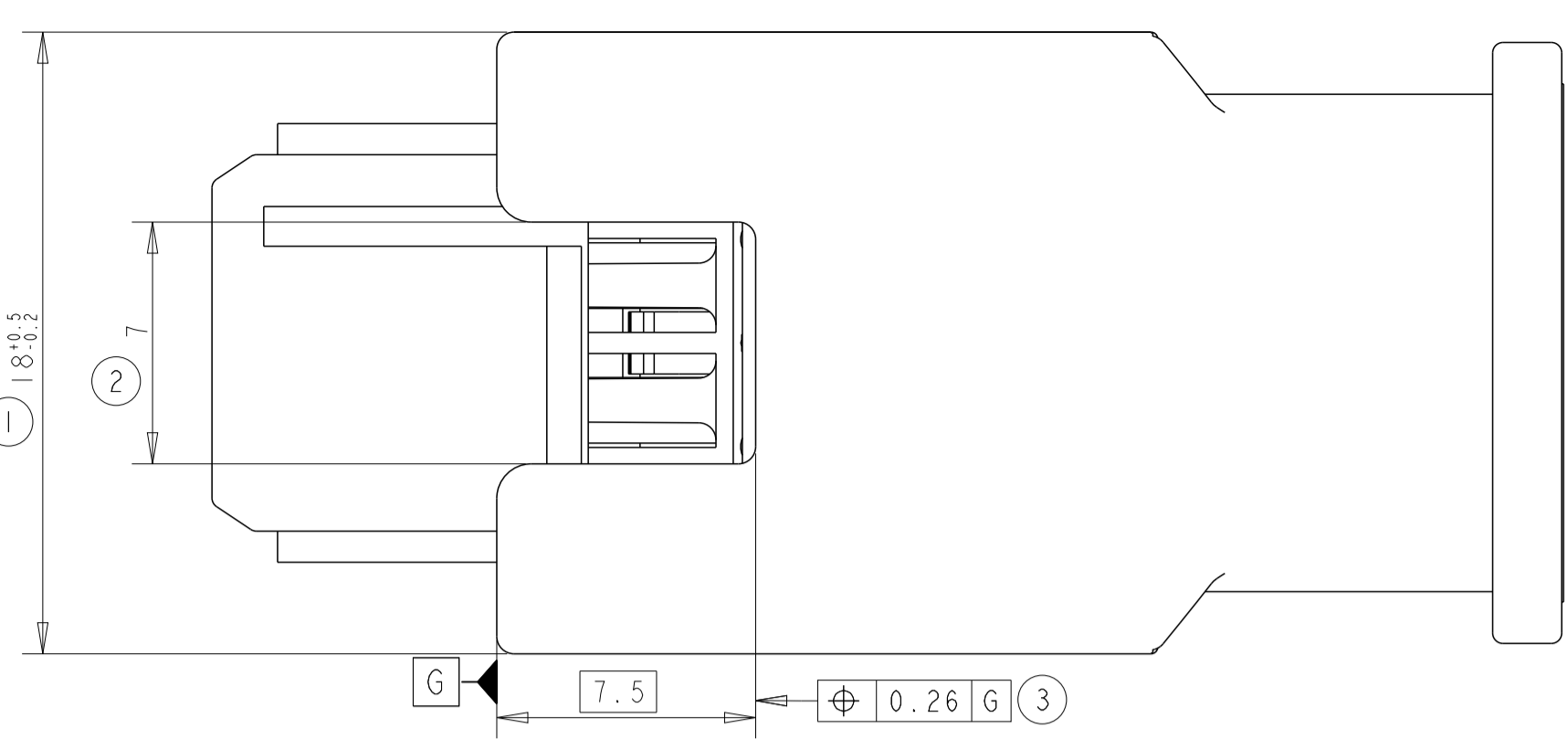
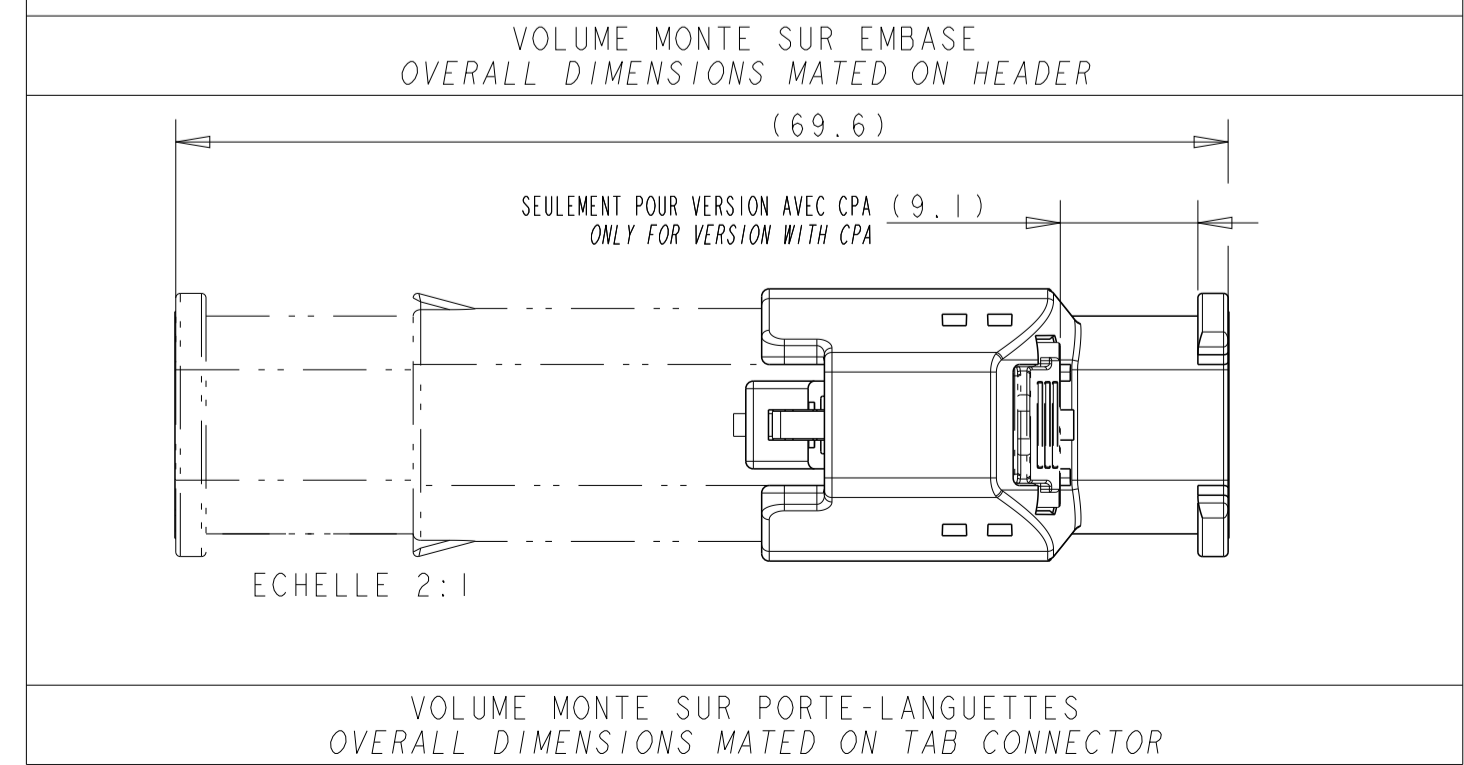
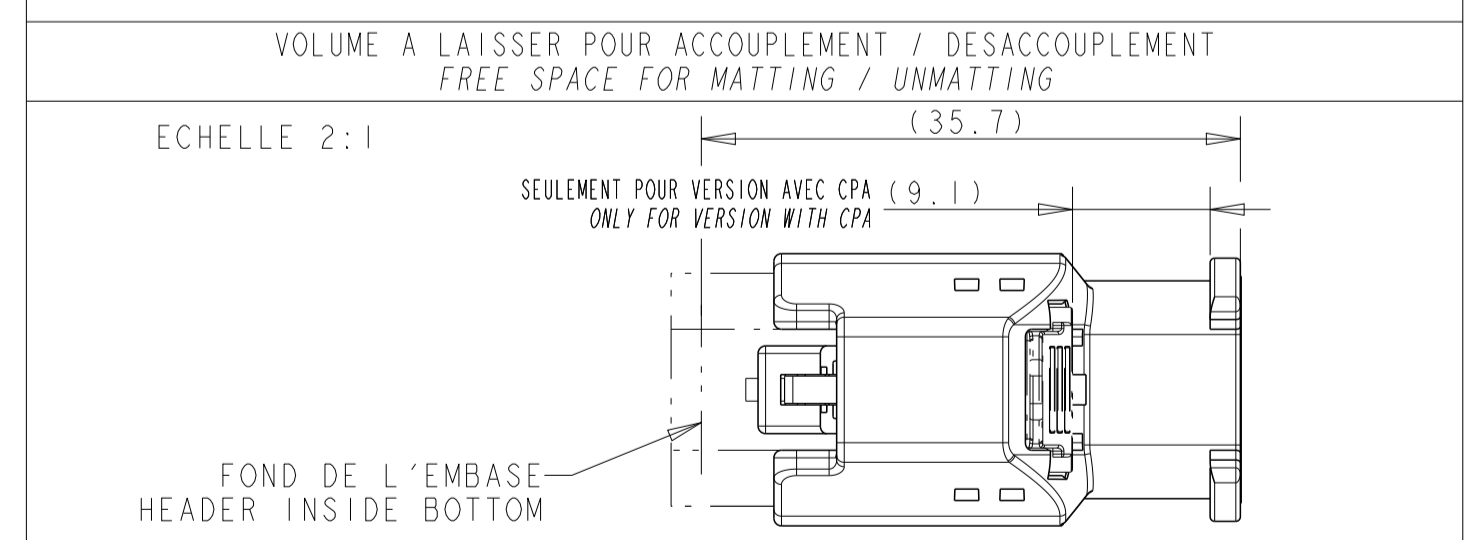
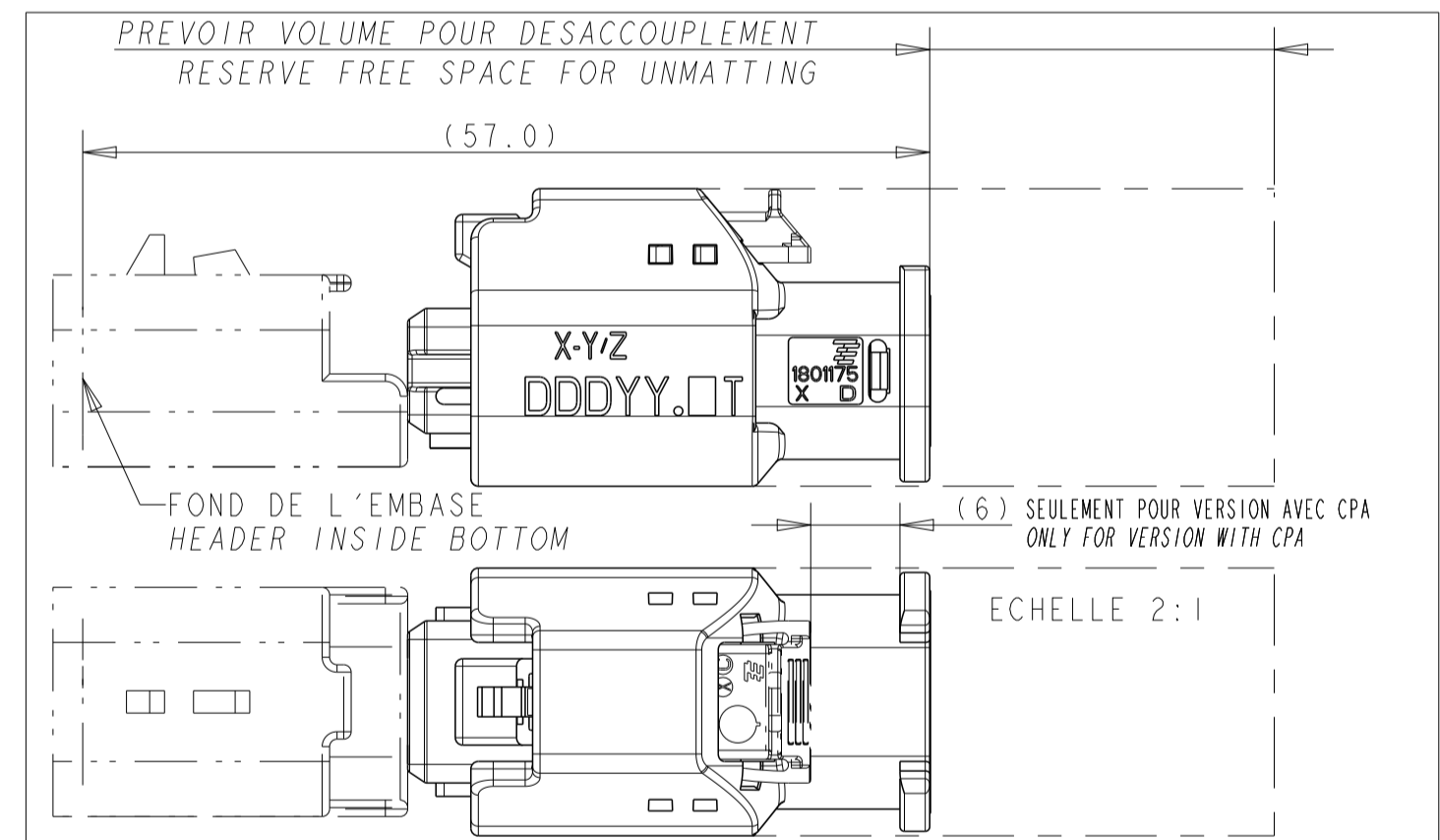
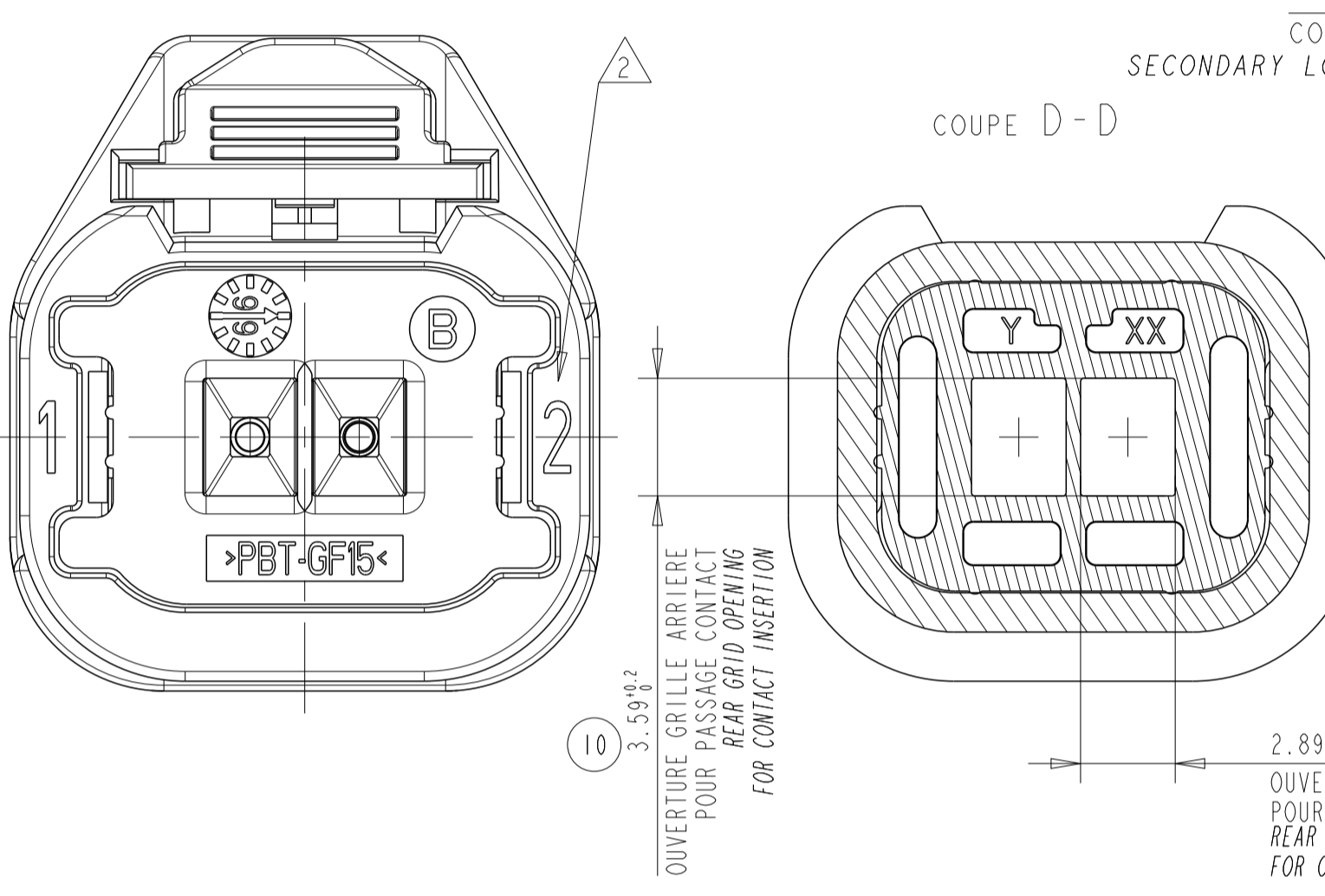


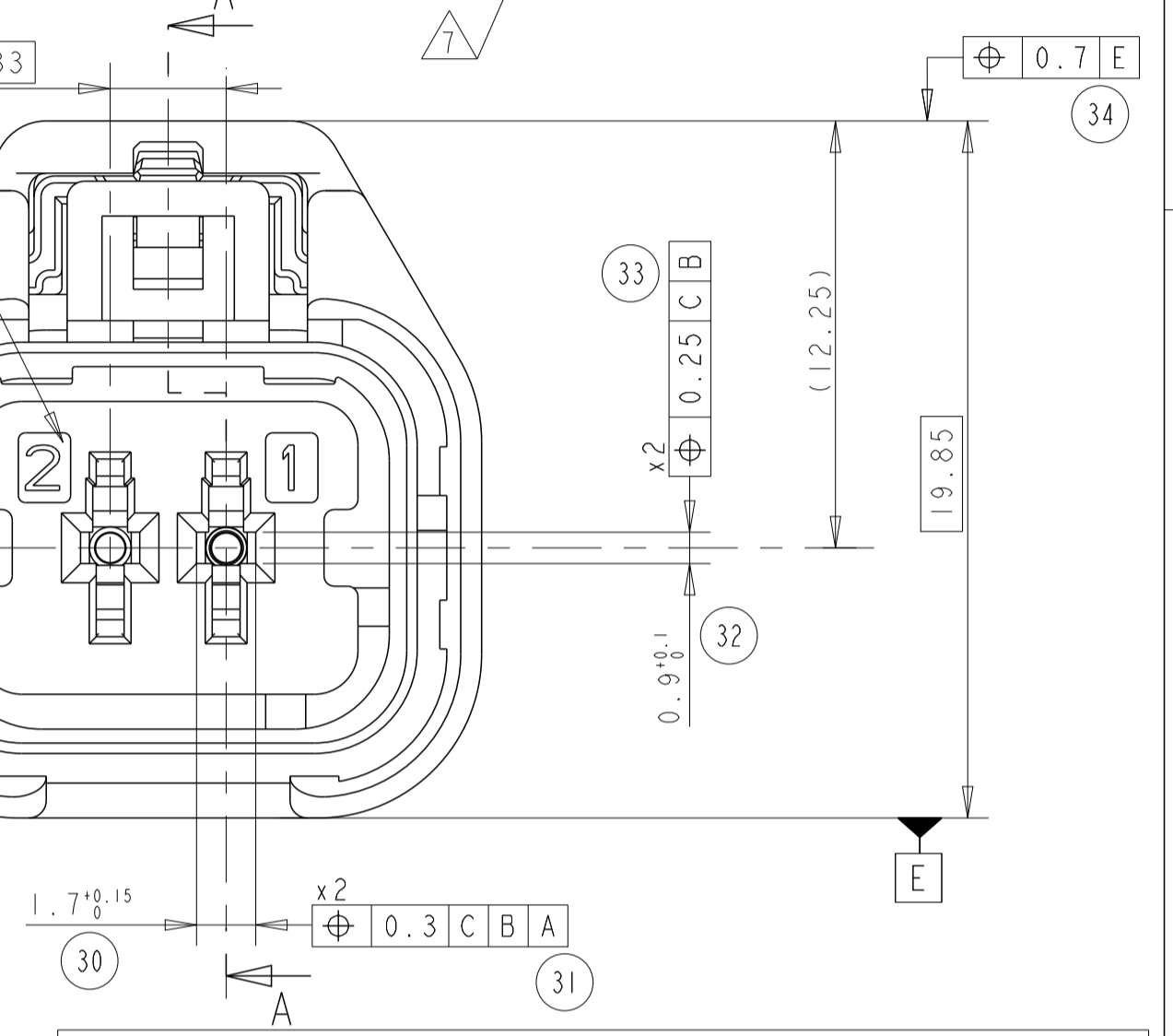
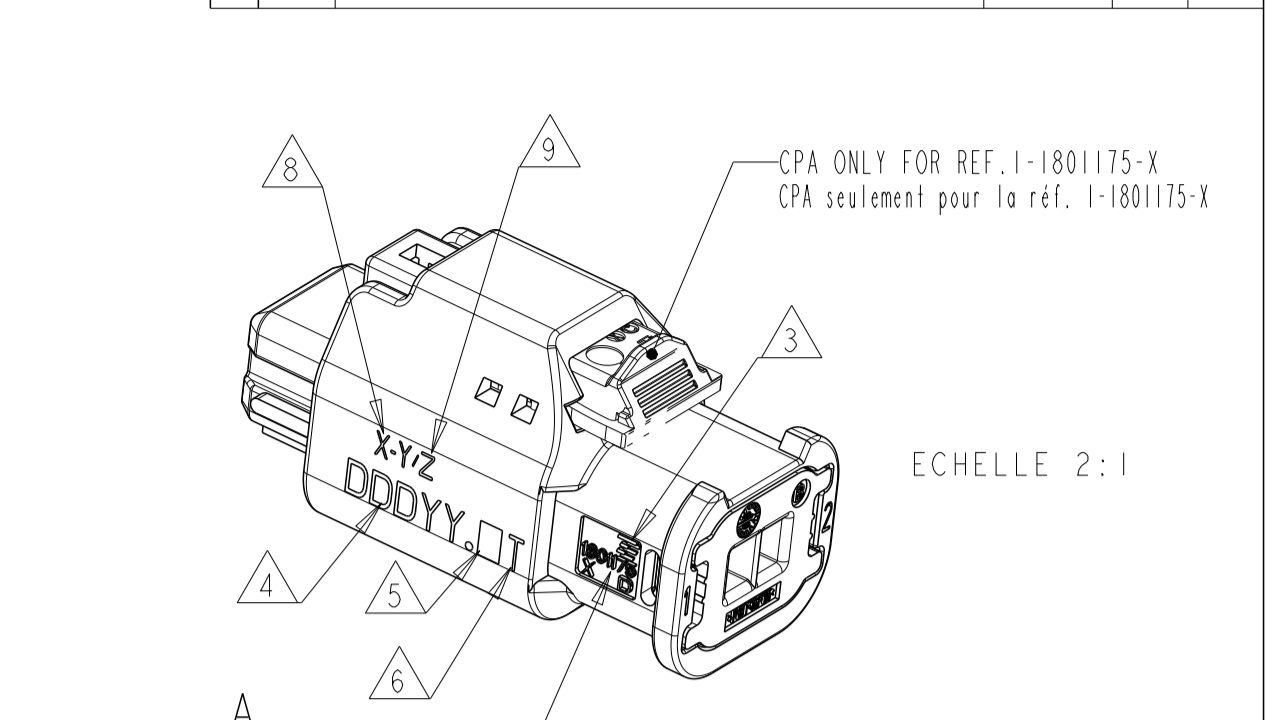
SANS CPA WITHOUT CPA		AVEC CPA WITH CPA		COULEUR COLOR	TOLERANCE POUR DETROMPAGE: ±0.05 KEYING TOLERANCE
REF TE NO.	INDICE DE REVISION PRODUCT REVISION NUMBER	REF TE NO.	INDICE DE REVISION PRODUCT REVISION NUMBER		
1801175-1	E	1-1801175-1	F	NOIR BLACK	
1801175-2	E	1-1801175-2	F	BLEU BLUE	
1801175-3	E	1-1801175-3	F	GRIS GREY	
1801175-4	E	1-1801175-4	F	JAUNE YELLOW	
1801175-5	E	1-1801175-5	F	VERT GREEN	
1801175-6	E	1-1801175-6	F	MARRON BROWN	
1801175-7	E	1-1801175-7	F	BLANC WHITE	
1801175-8	E	1-1801175-8	F	ROUGE RED	
1801175-9	E	1-1801175-9	F	ORANGE ORANGE	

NOTES/NOTES:

- 1-1801175-1 REPRESENTE (COD. NOIR) / AS SHOWN (COD. BLACK)
- REPERE ALVEOLES / CAVITY MARKING
- LOGO TE / TE LOGO
- DATE D'ASSEMBLAGE / ASSEMBLY DATE
- CODE DU LIEU D'ASSEMBLAGE / ASSEMBLY LOCATION DATE
- E = EUROPE / EUROPE
- C = CHINE / CHINA
- M = MERCOSUR / MERCOSUR
- J = AFRIQUE / AFRICA
- NUMERO DE LA MACHINE D'ASSEMBLAGE / NUMBER ASSEMBLY LINE
- REF TE DE L'ASSEMBLAGE (RACINE) / TE ASSEMBLY NO (RACINE)
- REF TE DE L'ASSEMBLAGE (SUFFIXE) / TE ASSEMBLY NO (SUFFIX)
- INDICE DE REVISION PRODUIT / PRODUCT REVISION NUMBER
- PIECES A UTILISER AVEC VOIR TABLEAU "COMPOSANTS ASSOCIES" / MATED WITH : SEE TABLE "ASSOCIATED PARTS"



LOC		DIST		REVISIONS			
F	00	P	LYN	DESCRIPTION	DATE	DWN	APVD
		H		DRAWING REVISION	07NOV2013	FJ	XR
		J		UPDATED NOTE 5 WITH NEW PLANT CODE	25OCT2018	ASB	GKT



SECTION CABLE ADMISSIBLE PAR CONTACT
ACCEPTABLE CABLE SECTIONS PER CONTACT

La section des câbles utilisés doit être comprise entre 0,35 et 2mm² avec un diamètre d'isolant compris entre 1,40mm mini et 2,80mm Maxi
 The cross-section of the cables used must be between 0,35 and 2mm² (with insulator diameter included between 1,40mm mini and 2,80mm Maxi)

DESCRIPTION TITLE	TE NO REF TE
CAPOT FIXE 2 VOIES - SORTIE GAUCHE/DROITE FIXED COVER 2 WAYS - LEFT/RIGHT EXIT	1801466-1
CAPOT FIXE 2 VOIES - SORTIE HAUT/BAS FIXED COVER 2 WAYS - UP/DOWN EXIT	1801466-2
CAPOT FIXE 2 VOIES - SORTIE AXIALE FIXED COVER 2 WAYS - EXIT IN LINE	1801155-5
CAPOT ROTATIF 90 DEG. 2 VOIES ROTATIVE COVER 90 DEG. 2 WAYS	1801356-1
CLIP 1.5 SENSOR 11 DORE Section 1.4 à 2mm ² RECEPTACLE 1.5 SENSOR 11 GOLD PLATED Section 1.4 to 2mm ²	1670328-1
CLIP 1.5 SENSOR 11 DORE Section 0.75 à 1mm ² RECEPTACLE 1.5 SENSOR 11 GOLD PLATED Section 0.75 to 1mm ²	1670326-1
CLIP 1.5 SENSOR 11 DORE Section 0.35 à 0.5mm ² RECEPTACLE 1.5 SENSOR 11 GOLD PLATED Section 0.35 to 0.5mm ²	1564724-1
OBTURATEUR "MINI-ETANCHE" "MINI-ETANCHE" PLUGGING PIN	
PORTE-LANGUETTES 2 VOIES HP 2 WAYS TAB CONNECTOR HP	1801174-X

COULEUR COLOR	MATIERE MATERIAL	DESCRIPTION TITLE	REP. ITEM
ORANGE	PBT-GF15 (MATIERE: HB) (HB MATERIAL)	CPA CPA	6
VERT GREEN	SILICONE LUBRIFIE A 5% ; DURETE 30 SHORE A LUBRIFICATED SILICON TO 5% ; HARNESS 30 SH. A	JOINT GROMMET GROMMET SEAL	5
NOIR BLACK	PBT-GF15 (MATIERE: HB) (HB MATERIAL)	GRILLE ARRIERE REAR GRID	4
VERT GREEN	SILICONE LUBRIFIE A 4% ; DURETE 50 SHORE A LUBRIFICATED SILICON TO 4% ; HARNESS 50 SH. A	JOINT INTERFACIAL INTERFACE SEAL	3
VOIR TABLEAU DES REF. SEE TABLE OF PART NO	PBT-GF15 (MATIERE: HB) (HB MATERIAL)	DOUBLE VERROUILLAGE COUAGE (VOIR TABLEAU DES REFS) SECONDARY LOCKING CODING (SEE TABLE OF PART NO)	2
NOIR BLACK	PBT-GF15 (MATIERE: HB) (HB MATERIAL)	BOTIER PORT-CLIPS RECEPTACLE HOUSING	1

THIS DRAWING IS A CONTROLLED DOCUMENT. DWN F. JODON 20JUN2007
 CHK X. ROULLIARD 27JUN2007
 APVD X. ROULLIARD 27JUN2007

DIMENSIONS: mm
 TOLERANCES UNLESS OTHERWISE SPECIFIED:
 0 PLC ±
 1 PLC ±0.2
 2 PLC ±0.2
 3 PLC ±0.2
 4 PLC ±0.2
 ANGLES ±0.2°
 MATERIAL: SEE TABLE VOIR TABLEAU
 FINISH: -

TE Connectivity
TE
 2 WAYS RECEPTACLE CONNECTOR HP
 PORTE-CLIPS 2 Voies HP

NAME: X. ROULLIARD
 PRODUCT SPEC: 108-15378
 APPLICATION SPEC: 411-15712
 WEIGHT: 5.2g / 0.183 oz
 SIZE: 5.2g / 0.183 oz
 DRAWING NO: A100779
 SHEET 1 OF 1
 SCALE: 5:1
 REV: J

X-ON Electronics

Largest Supplier of Electrical and Electronic Components

Click to view similar products for [Automotive Connectors](#) category:

Click to view products by [TE Connectivity](#) manufacturer:

Other Similar products are found below :

[003-018-000](#) [60403001](#) [60993906-B](#) [M902-2131](#) [M902-2161](#) [M902-2344](#) [72.330.1035.1](#) [73.353.4028.0](#) [F119300-B](#) [F166900](#) [F258300-B](#)
[F358300-B](#) [F407400](#) [F444110](#) [F487000](#) [F509500B-B](#) [827153-1](#) [8N1515-32-24P](#) [9-1326729-8](#) [925474-1](#) [928905-1](#) [964562-4](#) [968782-1](#)
[GT17SA-8DS-HU](#) [98891-1012](#) [98947-1016](#) [12004147](#) [12004475-L](#) [12010290](#) [12010309-B](#) [12015454](#) [12020219-B](#) [12041318-B](#) [12052225-](#)
[L](#) [12052466](#) [12064869](#) [12004327-B](#) [12015308](#) [12015384](#) [12015909](#) [1-21030-1](#) [12041254](#) [12041318](#) [12047946-B](#) [12047957](#) [12047957-L](#)
[12059473](#) [12066261](#) [12110546](#) [12110546-B](#)