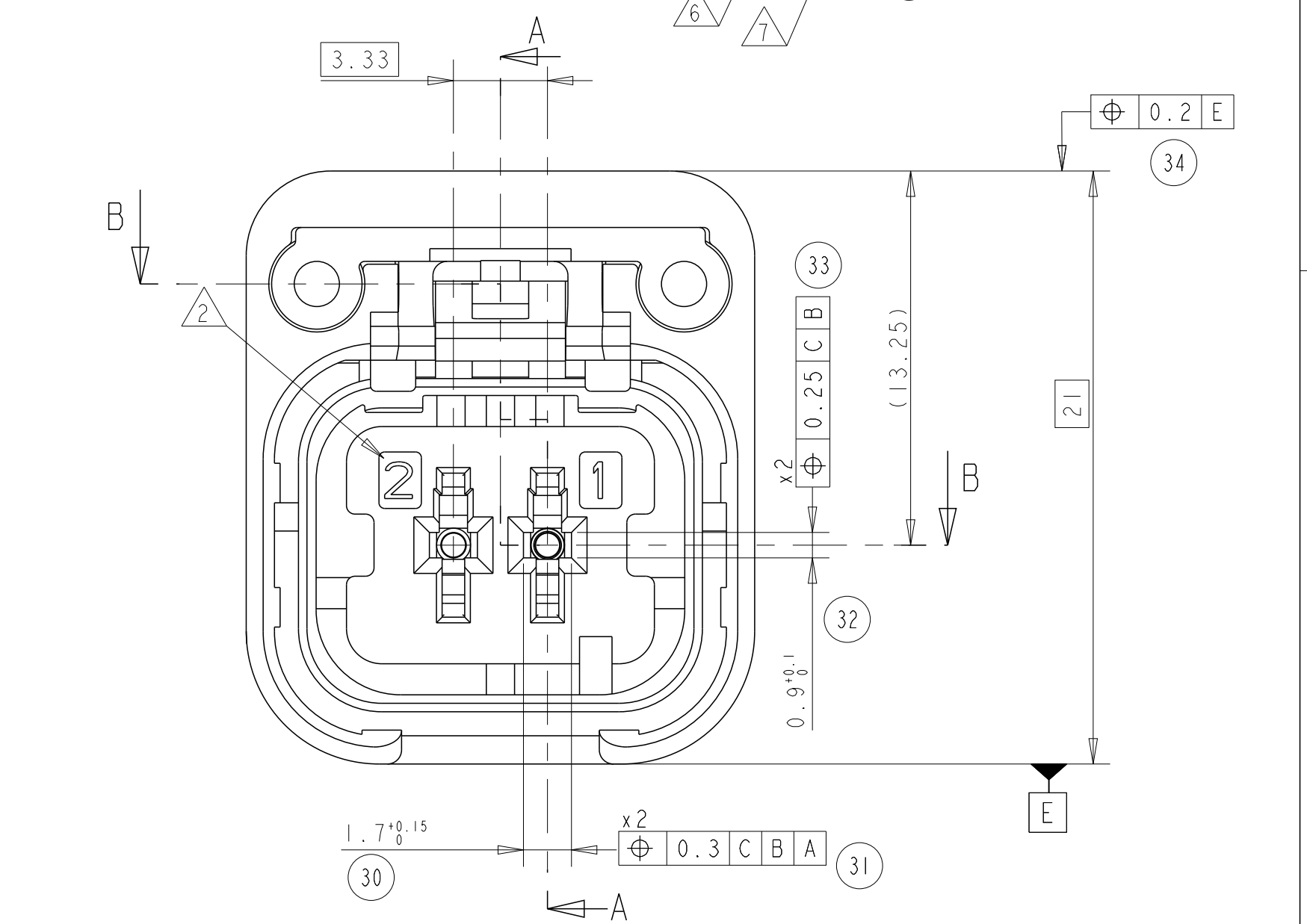
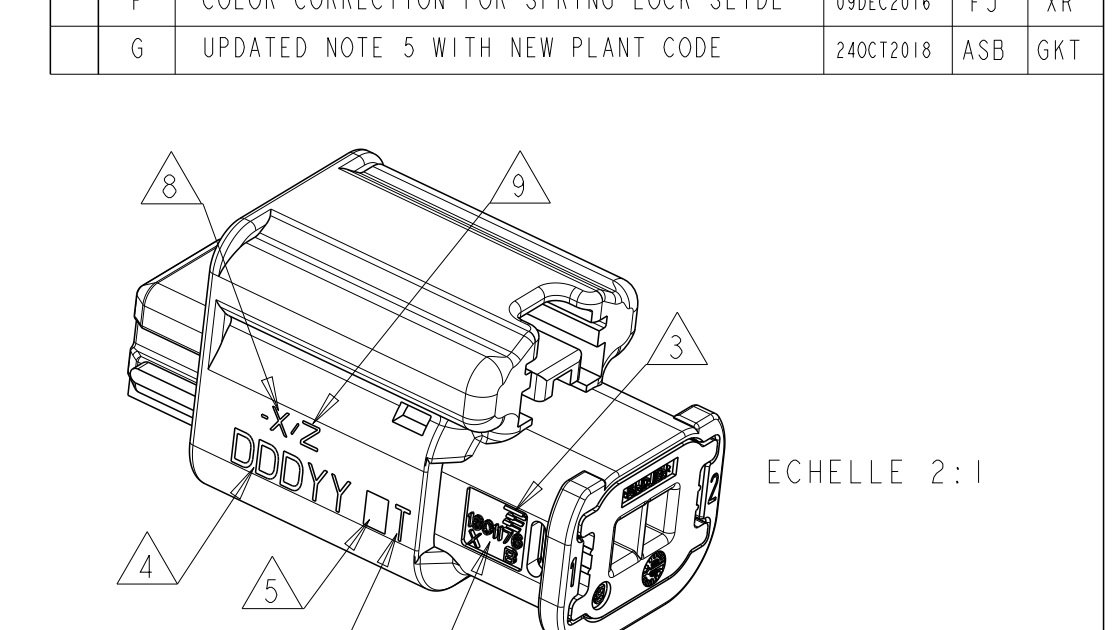
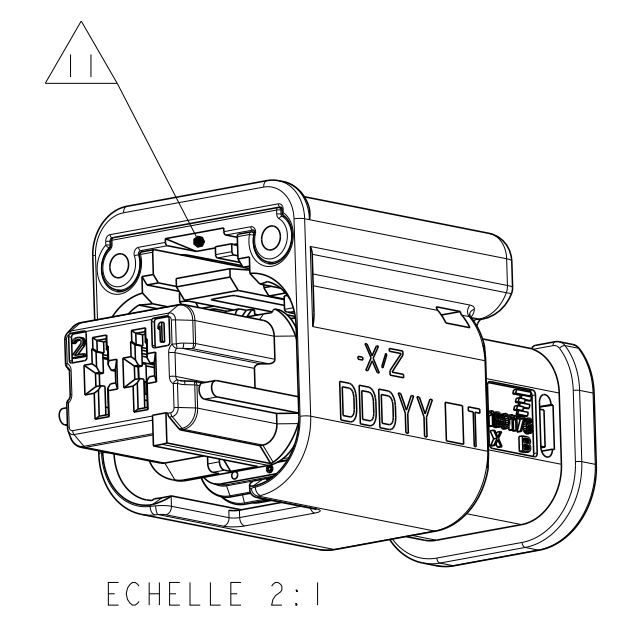
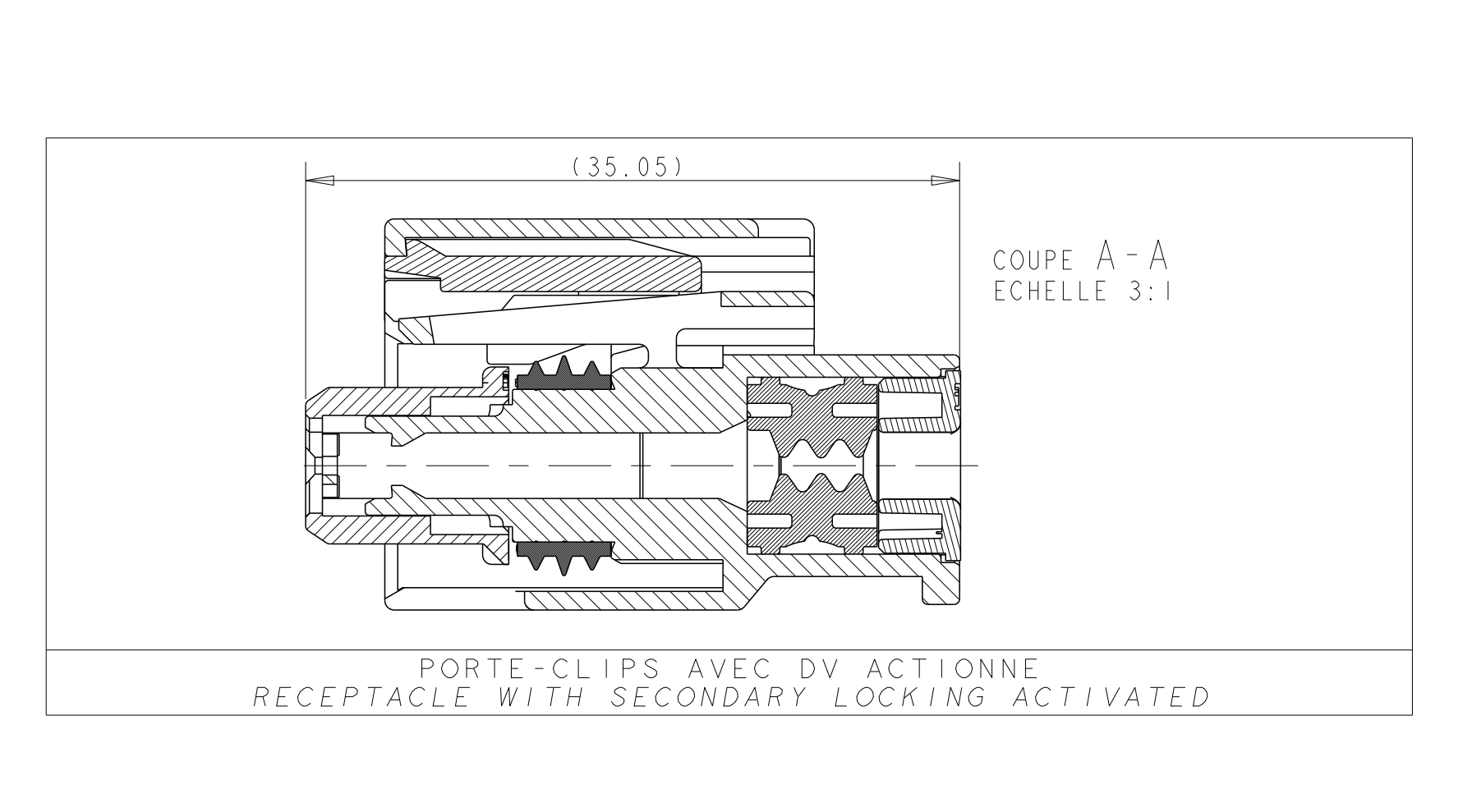
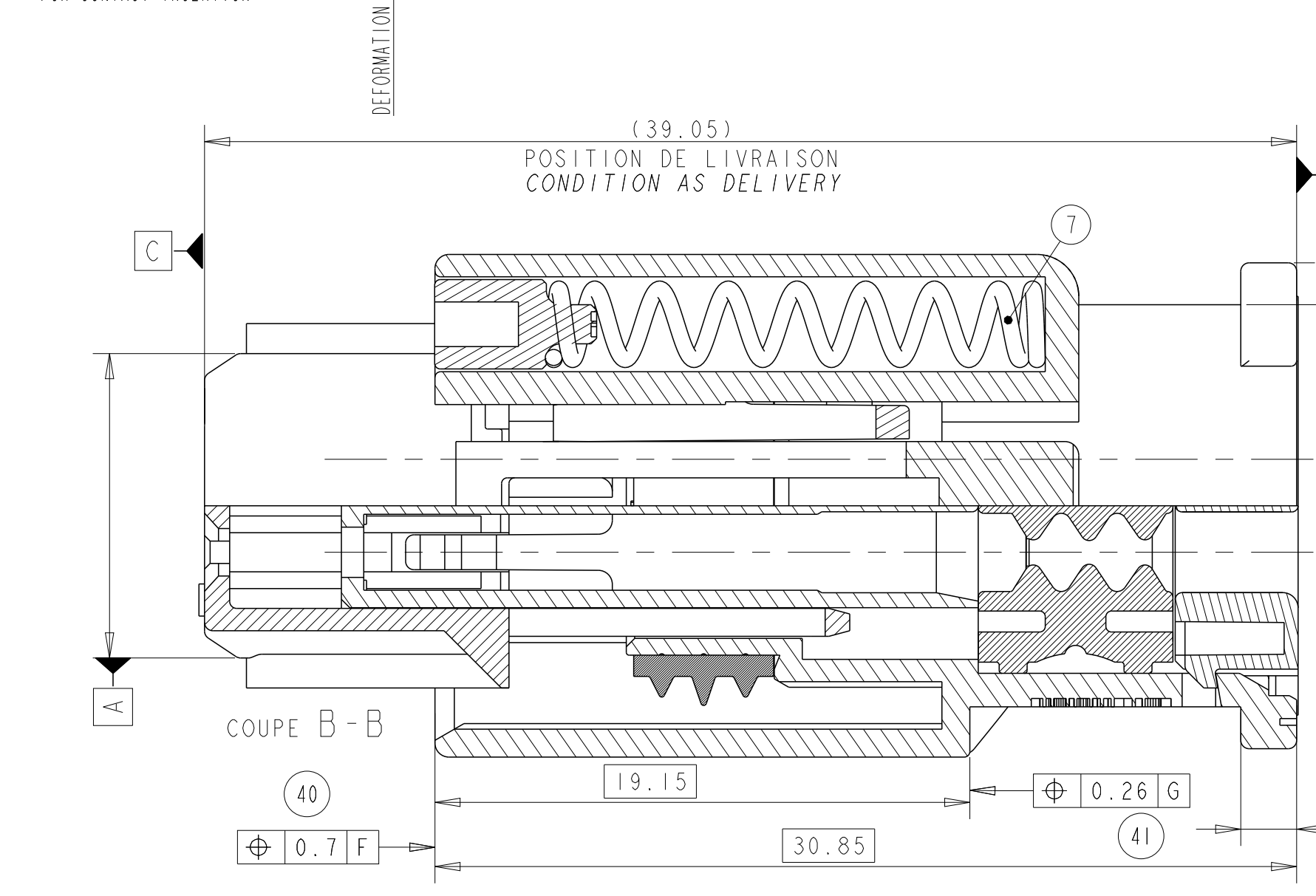
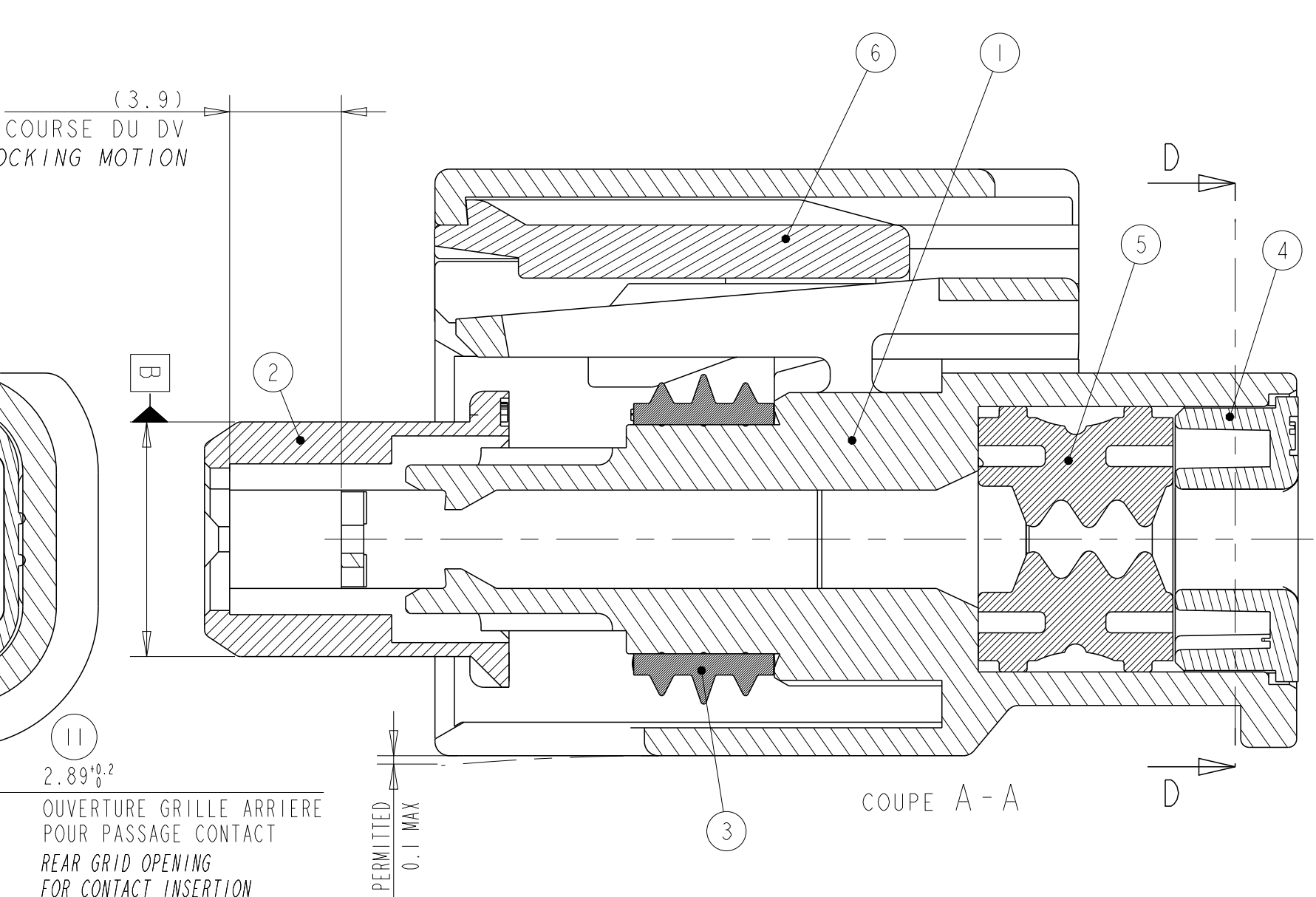
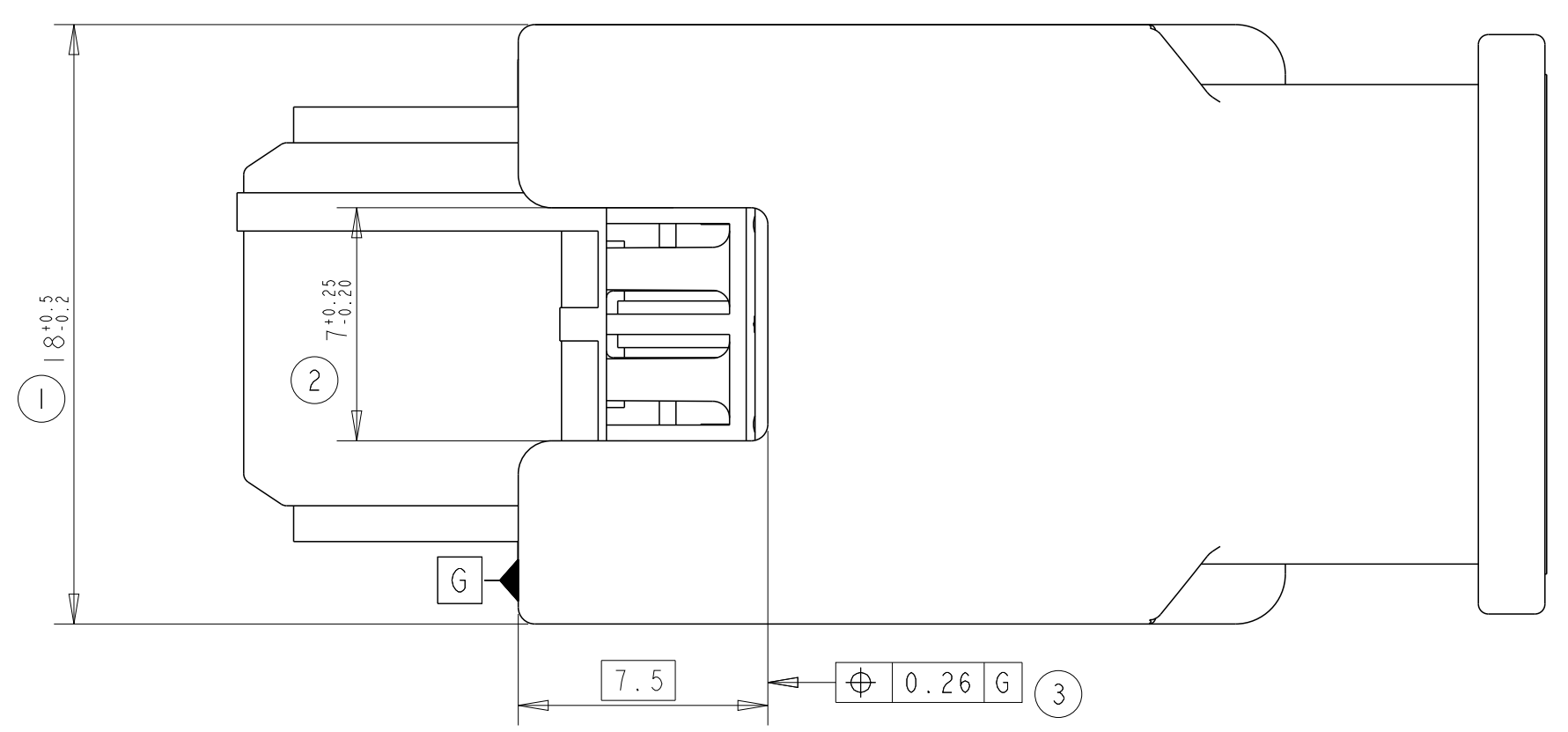
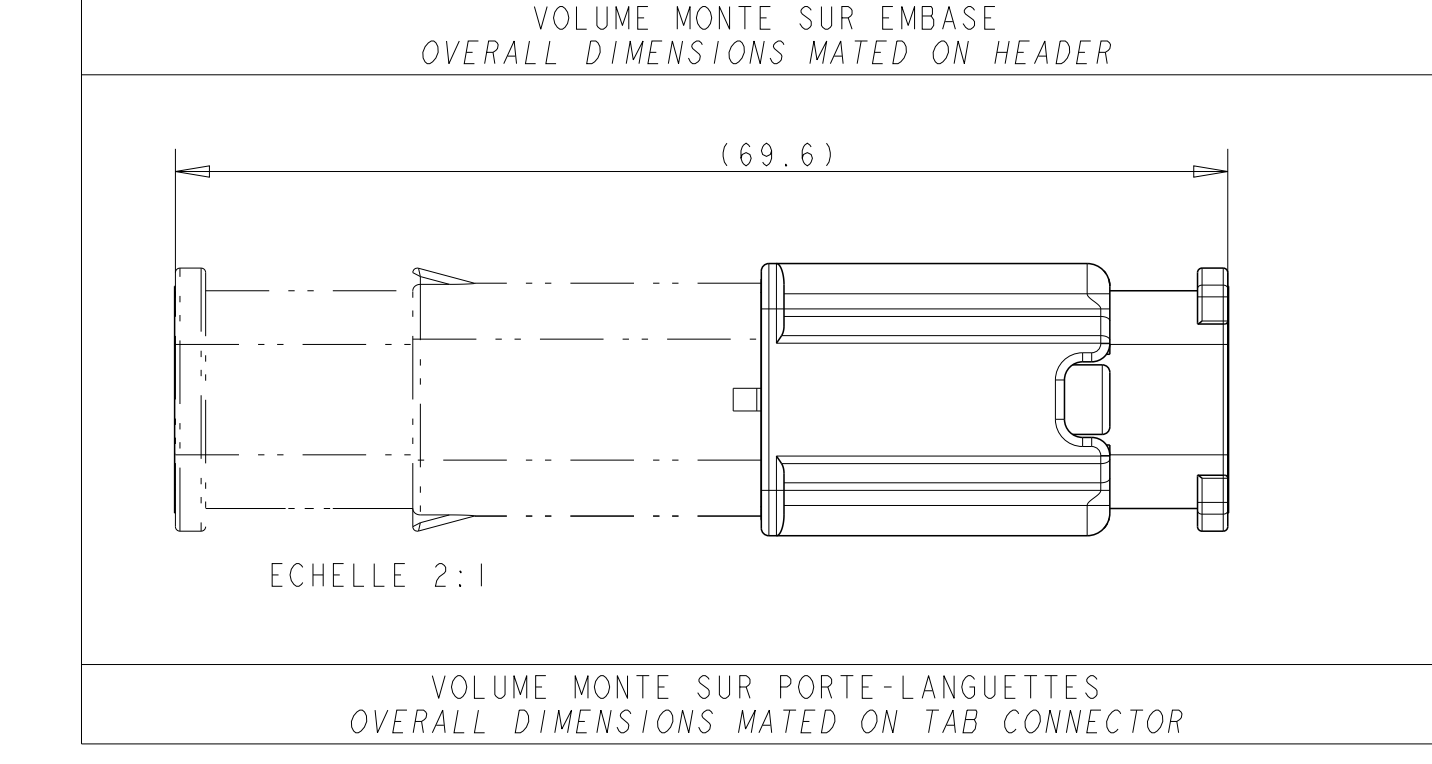
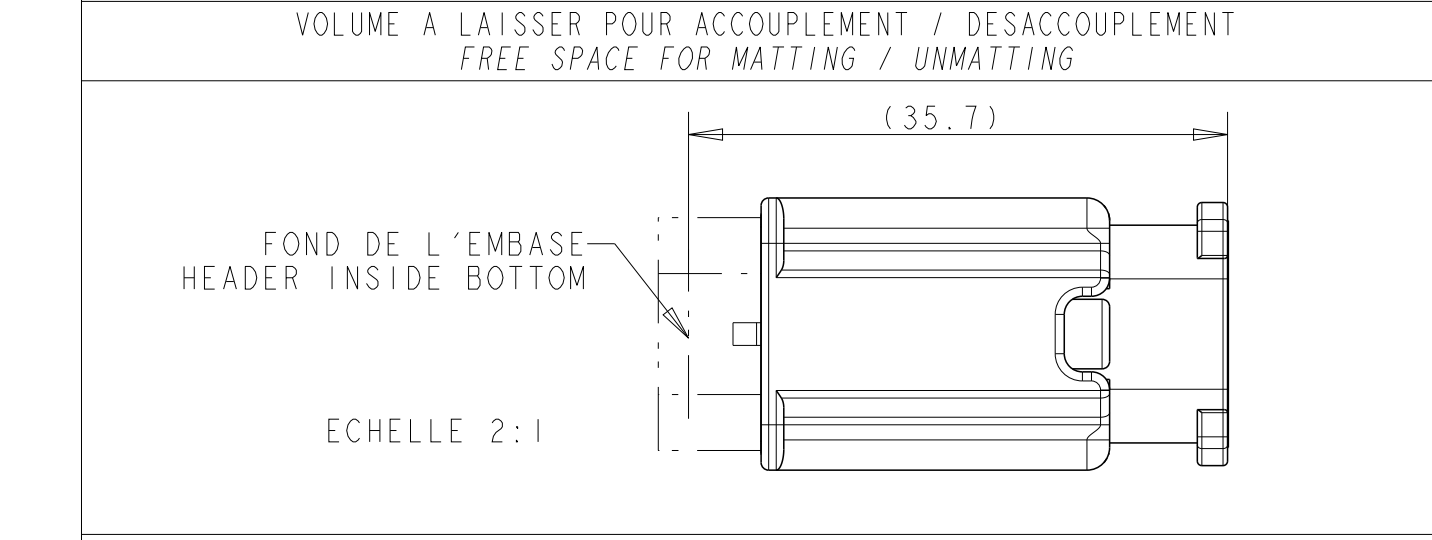
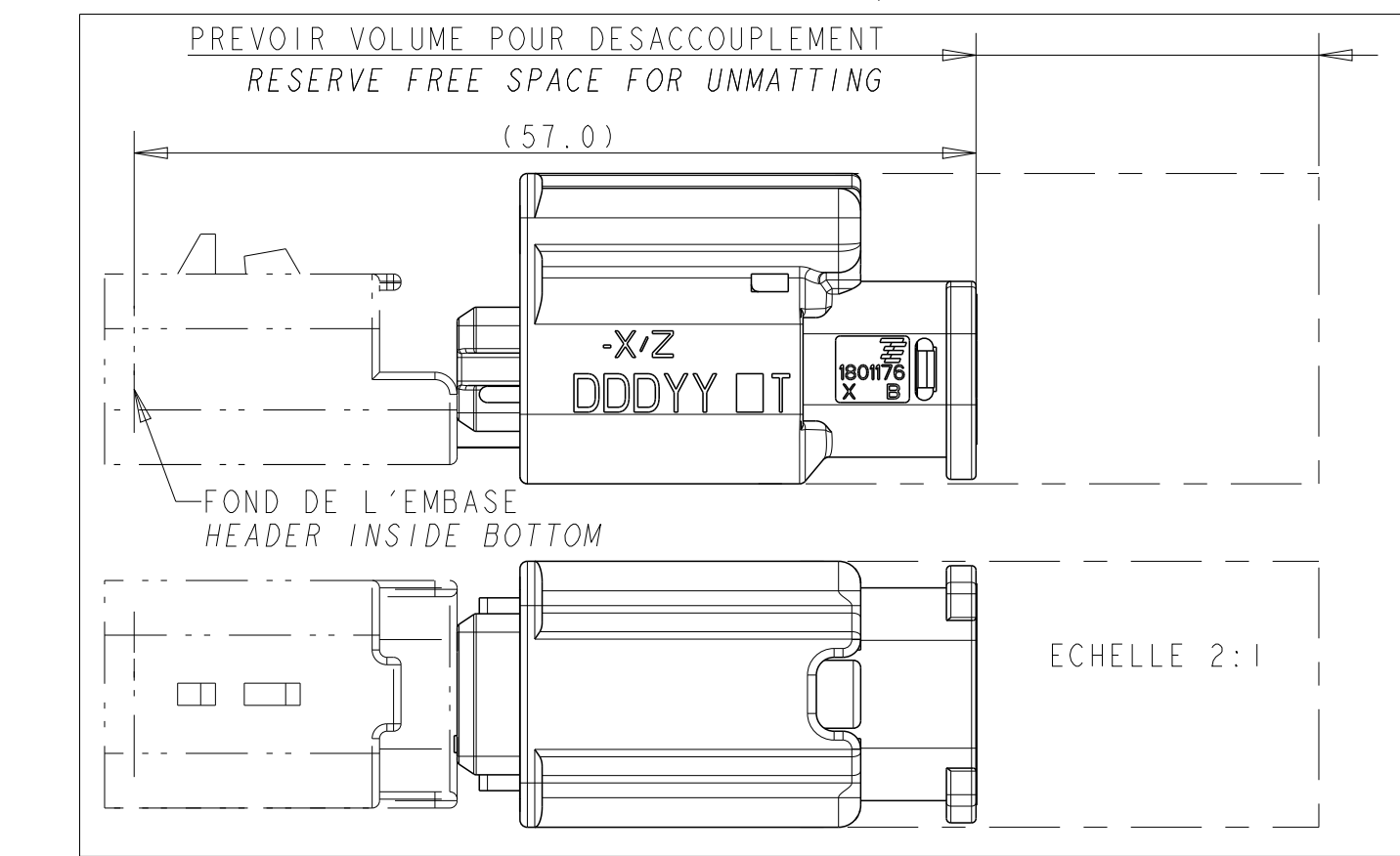
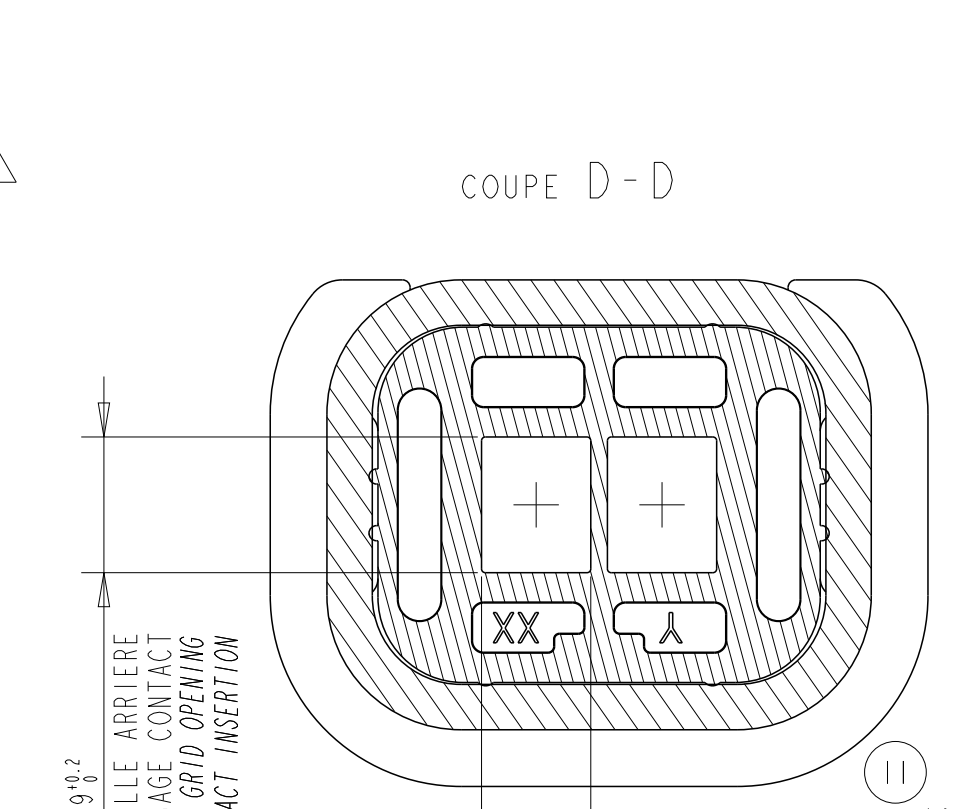
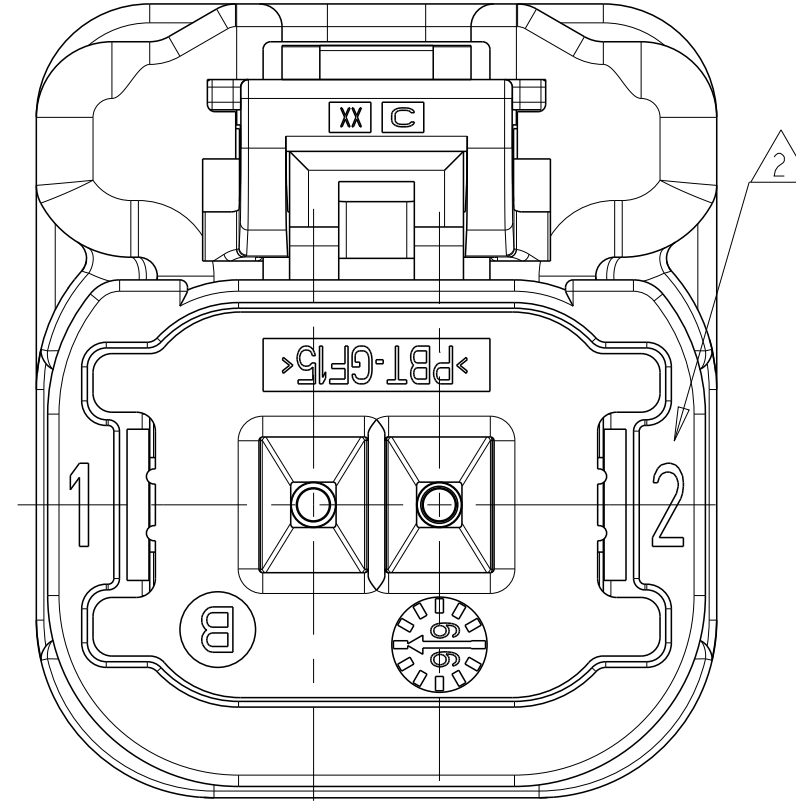


REF. TE NO.	INDICE DE REVISION PRODUIT / PRODUCT REVISION NUMBER	COULEUR / COLOR	TOLERANCE POUR DETROMPAGE: ±0.05 / KEYING TOLERANCE
1801176-1	C	NOIR / BLACK	100
1801176-2	C	BLEU / BLUE	110
1801176-3	C	GRIS / GREY	120
1801176-4	C	JAUNE / YELLOW	130
1801176-5	C	VERT / GREEN	140
1801176-6	C	MARRON / BROWN	150
1801176-7	C	BLANC / WHITE	160
1801176-8	C	ROUGE / RED	170
1801176-9	C	ORANGE / ORANGE	

- NOTES/NOTES:
- 1- 1801176-1 REPRESENTE (COD. NOIR) / AS SHOWN (COD. BLACK)
 - 2- REPERE ALVEOLES / CAVITY MARKING
 - 3- LOGO TE / TE LOGO
 - 4- DATE D'ASSEMBLAGE / ASSEMBLY DATE
 - 5- CODE DU LIEU D'ASSEMBLAGE / ASSEMBLY LOCATION DATE
 - E = EUROPE / EUROPE
 - C = CHINE / CHINA
 - M = MERCOSUR / MERCOSUR
 - 6- A = AFRIQUE / AFRICA
 - 6- NUMERO DE LA MACHINE D'ASSEMBLAGE / NUMBER ASSEMBLY LINE
 - 7- REF. TE DE L'ASSEMBLAGE (RACINE) / TE ASSEMBLY NO (RACINE)
 - 8- REF. TE DE L'ASSEMBLAGE (SUFFIXE) / TE ASSEMBLY NO (SUFFIX)
 - 9- INDICE DE REVISION PRODUIT / PRODUCT REVISION NUMBER
 - 10- PIECES A UTILISER AVEC VOIR TABLEAU "COMPOSANTS ASSOCIES" / MATED WITH : SEE TABLE "ASSOCIATED PARTS"
 - 11- FORME OPTIONNELLE / OPTIONAL SHAPE



SECTION CABLE ADMISSIBLE PAR CONTACT / ACCEPTABLE CABLE SECTIONS PER CONTACT

La section des câbles utilisés doit être comprise entre 0,35 et 2mm² avec un diamètre d'isolant compris entre 1,40mm mini et 2,80mm Maxi (The cross-section of the cables used must be between 0,35 and 2mm² with insulator diameter included between 1,40mm mini and 2,80mm Maxi)

DESCRIPTION / TITRE	TE NO / REF. TE
CAPOT FIXE 2 VOIES - SORTIE GAUCHE/DROITE / FIXED COVER 2 WAYS - LEFT/RIGHT EXIT	1801466-1
CAPOT FIXE 2 VOIES - SORTIE HAUT/BAS / FIXED COVER 2 WAYS - UP/DOWN EXIT	1801466-2
CAPOT FIXE 2 VOIES - SORTIE AXIALE / FIXED COVER 2 WAYS - EXIT IN LINE	1801155-5
CAPOT ROTATIF 90 DEG. 2 VOIES / ROTATIVE COVER 90 DEG. 2 WAYS	1801356-1
CLIP 1.5 SENSOR 11 DORE Section 1.4 à 2mm ² / RECEPTACLE 1.5 SENSOR 11 GOLD PLATED Section 1.4 to 2mm ²	1670328-1
CLIP 1.5 SENSOR 11 DORE Section 0.75 à 1mm ² / RECEPTACLE 1.5 SENSOR 11 GOLD PLATED Section 0.75 to 1mm ²	1670326-1
CLIP 1.5 SENSOR 11 DORE Section 0.35 à 0.5mm ² / RECEPTACLE 1.5 SENSOR 11 GOLD PLATED Section 0.35 to 0.5mm ²	1564724-1
OBTURATEUR "MINI-ETANCHE" / "MINI-ETANCHE" PLUGGING PIN	
PORTE-LANGUETTES 2 VOIES HP / 2 WAYS TAB CONNECTOR HP	1801174-X

COULEUR / COLOR	MATIERE / MATERIAL	DESCRIPTION / TITRE	REP. ITEM
JAUNE / YELLOW	ACIER INOX / STAINLESS STEEL	RESSORT (x2) / SPRING (x2)	7
VERT / GREEN	PA66-GF30 (MATIERE: HB) / (HB MATERIAL)	CHARIOT SPRING-LOCK / SPRING-LOCK SLIDE	6
VERT / GREEN	SILICONE LUBRIFIE A 5% ; DURETE 30 SHORE A / LUBRIFICATED SILICON TO 5% ; DURETE 30 SHORE A	JOINT GROMMET / GROMMET SEAL	5
NOIR / BLACK	PBT-GF15 (MATIERE: HB) / (HB MATERIAL)	GRILLE ARRIERE / REAR GRID	4
VERT / GREEN	SILICONE LUBRIFIE A 4% ; DURETE 50 SHORE A / LUBRIFICATED SILICON TO 4% ; DURETE 50 SHORE A	JOINT INTERFACIAL / INTERFACE SEAL	3
NOIR / BLACK	PBT-GF15 (MATIERE: HB) / (HB MATERIAL)	DOUBLE VERROUILLAGE / COUAGE (VOIR TABLEAU DES REFS) / SECONDARY LOCKING / CODING (SEE TABLE OF PART NO.)	2
NOIR / BLACK	PBT-GF15 (MATIERE: HB) / (HB MATERIAL)	BOTTIER PORTE-CLIPS / RECEPTACLE HOUSING	1

VOIR TABLEAU DES REF. / SEE TABLE OF PART NO.

THIS DRAWING IS A CONTROLLED DOCUMENT. DIMENSIONS: mm. TOLERANCES UNLESS OTHERWISE SPECIFIED: 0 PLC ±, 1 PLC ±0.2, 2 PLC ±, 3 PLC ±, 4 PLC ±, ANGLES ±0.2.

MATERIAL: SEE TABLE / VOIR TABLEAU. FINISH: SEE TABLE / VOIR TABLEAU.

OWN: F. JODON 11FEB2008. CHK: X. ROULLIARD 15FEB2008. APVD: X. ROULLIARD 15FEB2008. PRODUCT SPEC: 108-15378. APPLICATION SPEC: 411-15712. WEIGHT: 7.4g. CUSTOMER DRAWING.

NAME: 2 WAYS RECEPTACLE CONNECTOR SL. PORTÉ-CLIPS 2 Voies SL SYSTEME A RESSORT.

SIZE: A1. CAGE CODE: 100779. DRAWING NO: 1801176. RESTRICTED TO: REV G.

X-ON Electronics

Largest Supplier of Electrical and Electronic Components

Click to view similar products for [Automotive Connectors](#) category:

Click to view products by [TE Connectivity](#) manufacturer:

Other Similar products are found below :

[003-018-000](#) [60403001](#) [60993906-B](#) [M902-2131](#) [M902-2161](#) [72.330.1035.1](#) [73.353.4028.0](#) [F119300-B](#) [F166900](#) [F258300-B](#) [F358300-B](#)
[F407400](#) [F444110](#) [F487000](#) [F509500B-B](#) [827153-1](#) [8N1515-32-24P](#) [9-1326729-8](#) [925474-1](#) [928905-1](#) [964562-4](#) [968782-1](#) [GT17SA-8DS-](#)
[HU](#) [98891-1012](#) [98947-1016](#) [12004147](#) [12004475-L](#) [12010290](#) [12010309-B](#) [12015454](#) [12020219-B](#) [12020308](#) [12041318-B](#) [12052225-L](#)
[12052466](#) [12059125](#) [12064869](#) [12004327-B](#) [12010503-B](#) [12015308](#) [12015384](#) [12015909](#) [1-21030-1](#) [12041254](#) [12041318](#) [12047946-B](#)
[12047957](#) [12047957-L](#) [12059473](#) [12066261](#)