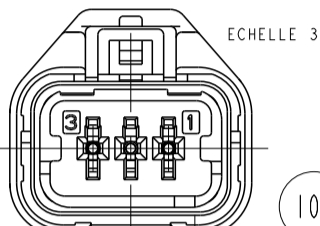
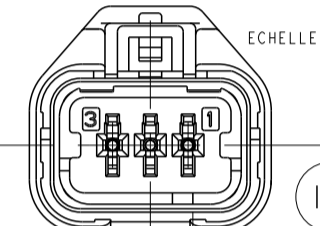
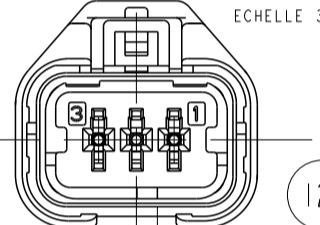
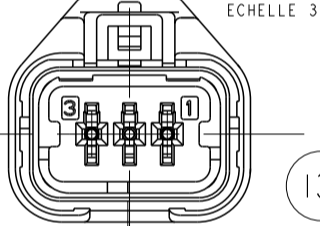
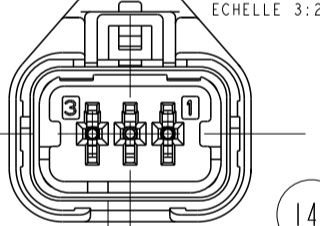
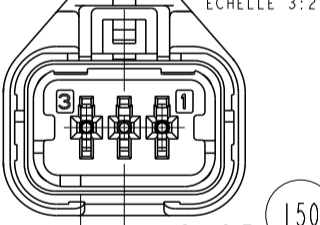
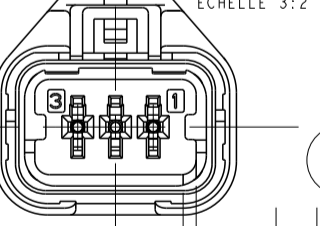
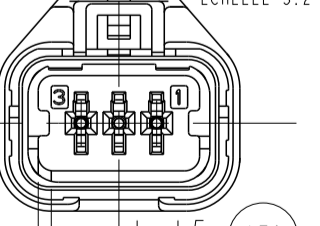
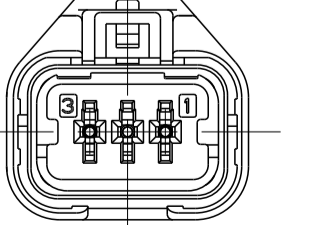


SANS CPA WITHOUT CPA		AVEC CPA WITH CPA		COULEUR COLOR	TOLERANCE POUR DETROMPAGE: ±0.05 KEYING TOLERANCE
REF TE TE NO	INDICE DE REVISION REVISION NUMBER	REF TE TE NO	INDICE DE REVISION REVISION NUMBER		
1801178-1	E	1-1801178-1	F	NOIR BLACK	
1801178-2	E	1-1801178-2	F	BLEU BLUE	
1801178-3	E	1-1801178-3	F	GRIS GREY	
1801178-4	E	1-1801178-4	F	JAUNE YELLOW	
1801178-5	E	1-1801178-5	F	VERT GREEN	
1801178-6	E	1-1801178-6	F	MARRON BROWN	
1801178-7	E	1-1801178-7	F	BLANC WHITE	
1801178-8	E	1-1801178-8	F	ROUGE RED	
1801178-9	E	1-1801178-9	F	ORANGE ORANGE	

NOTES/NOTES:

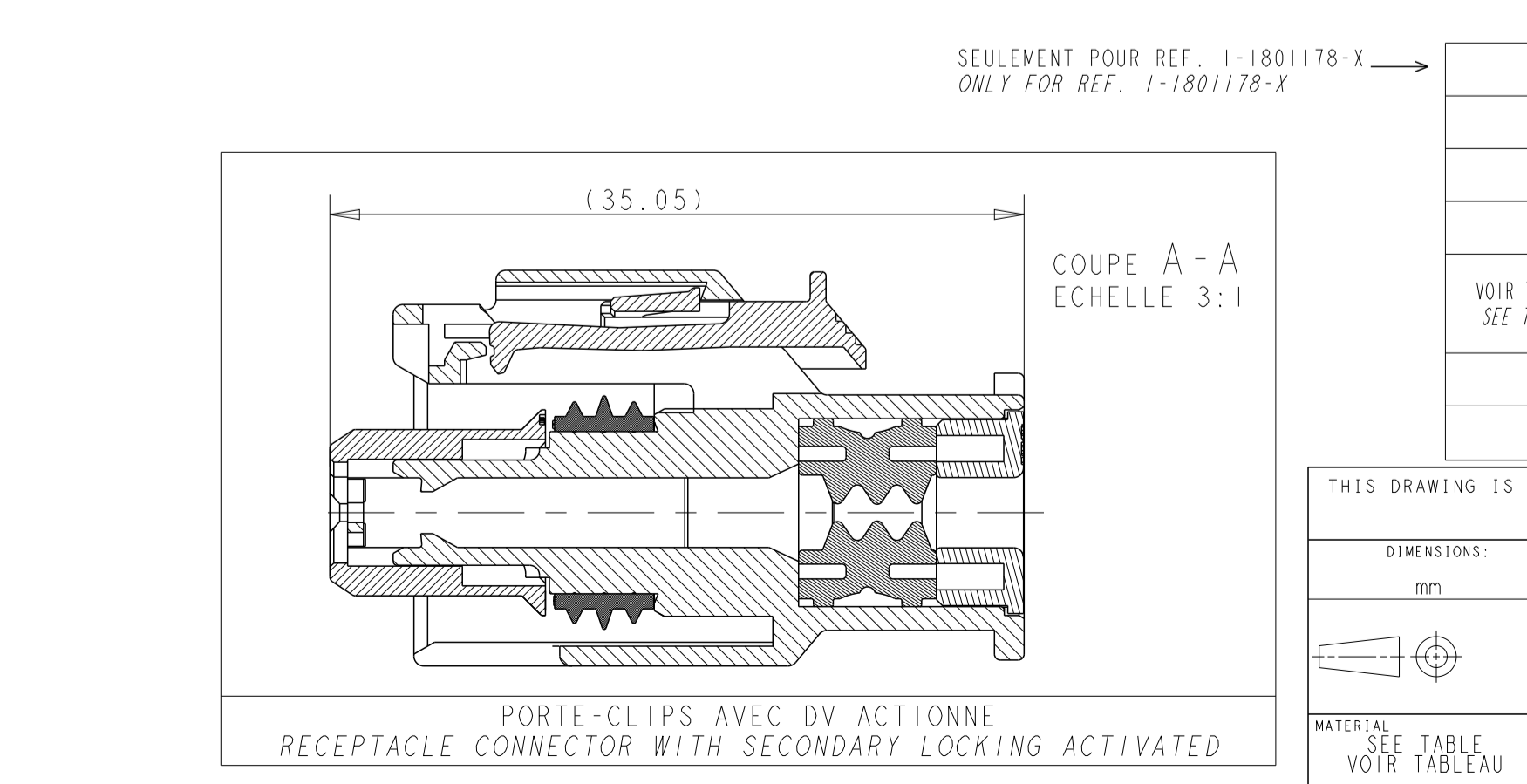
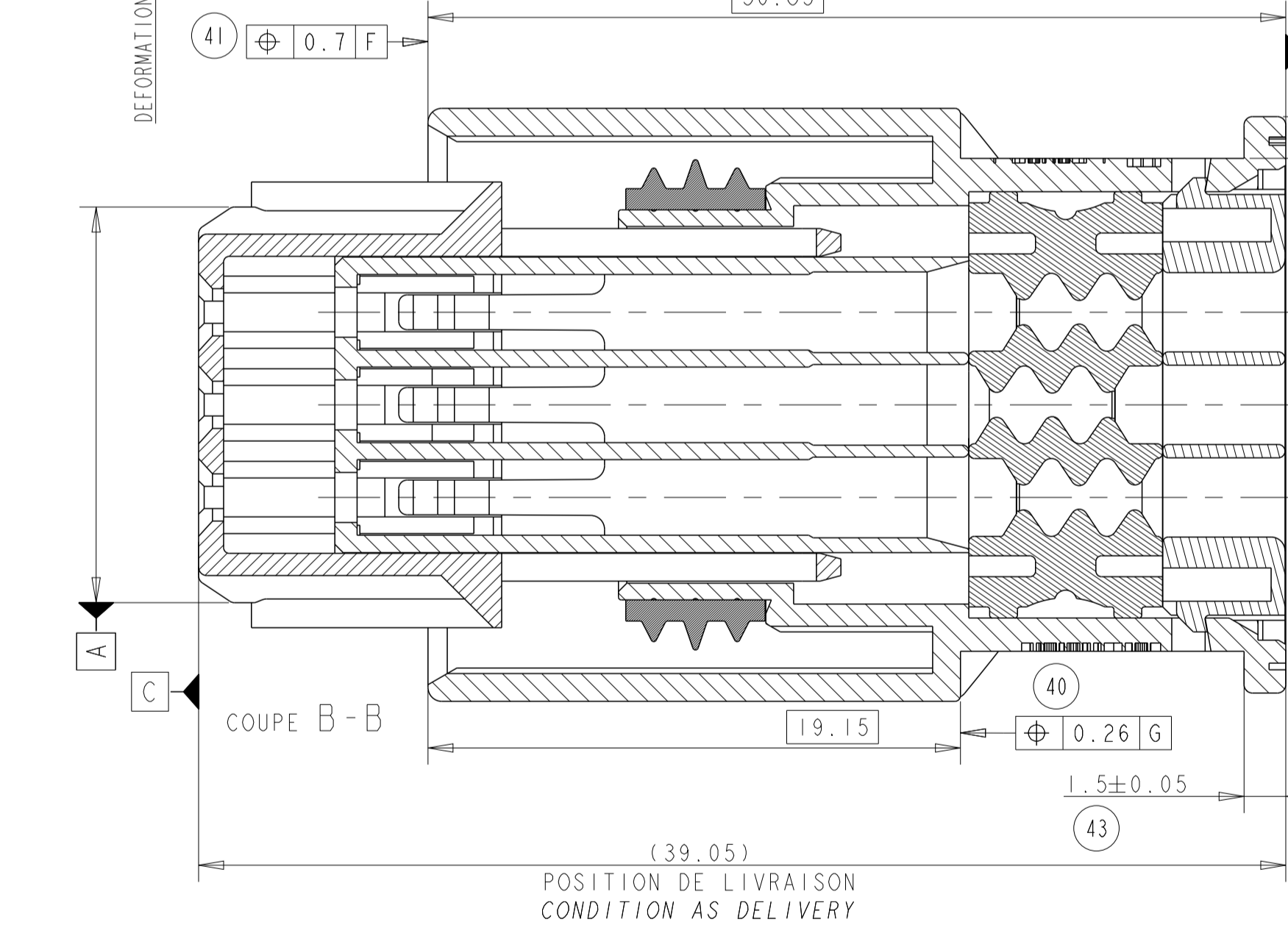
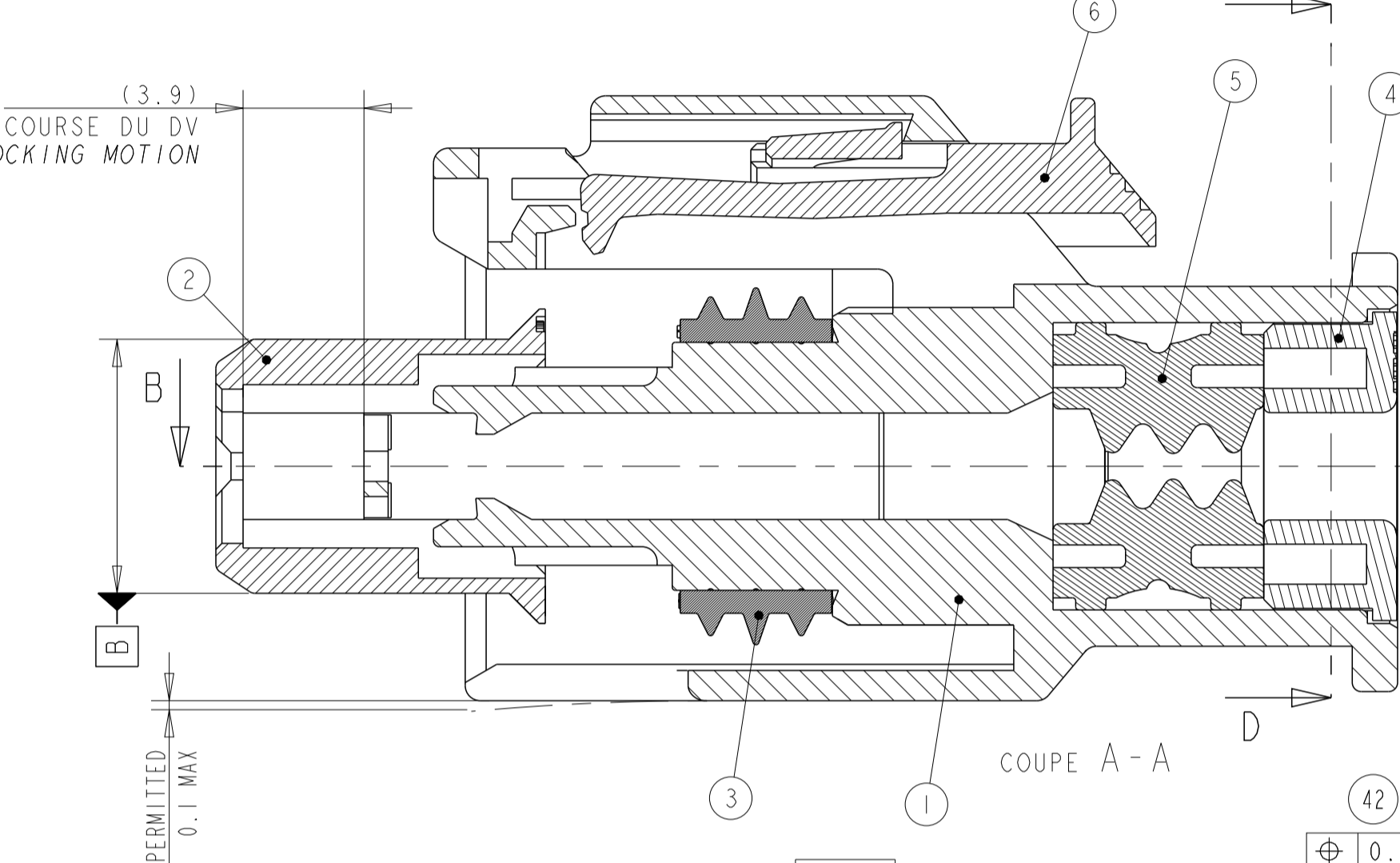
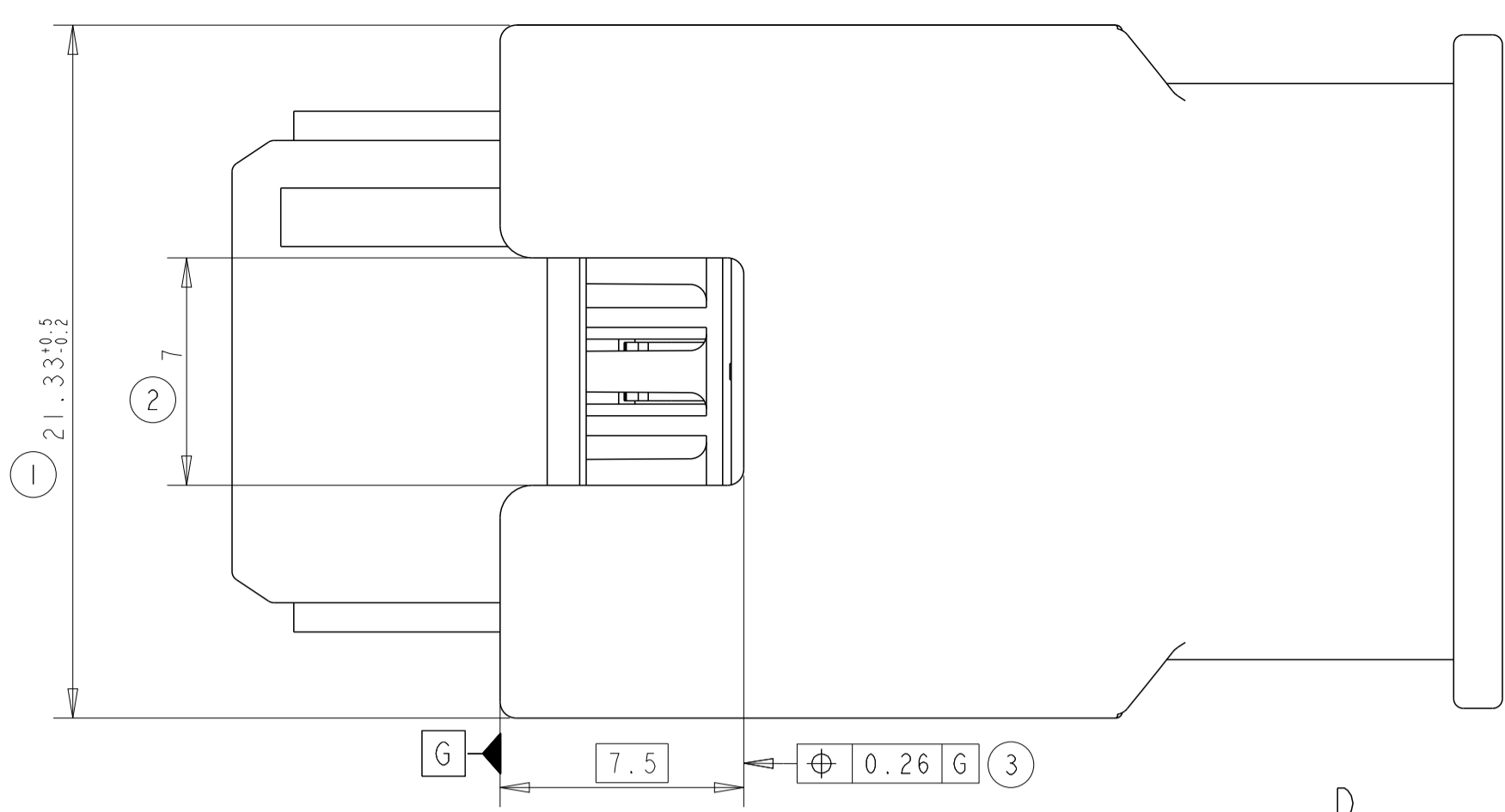
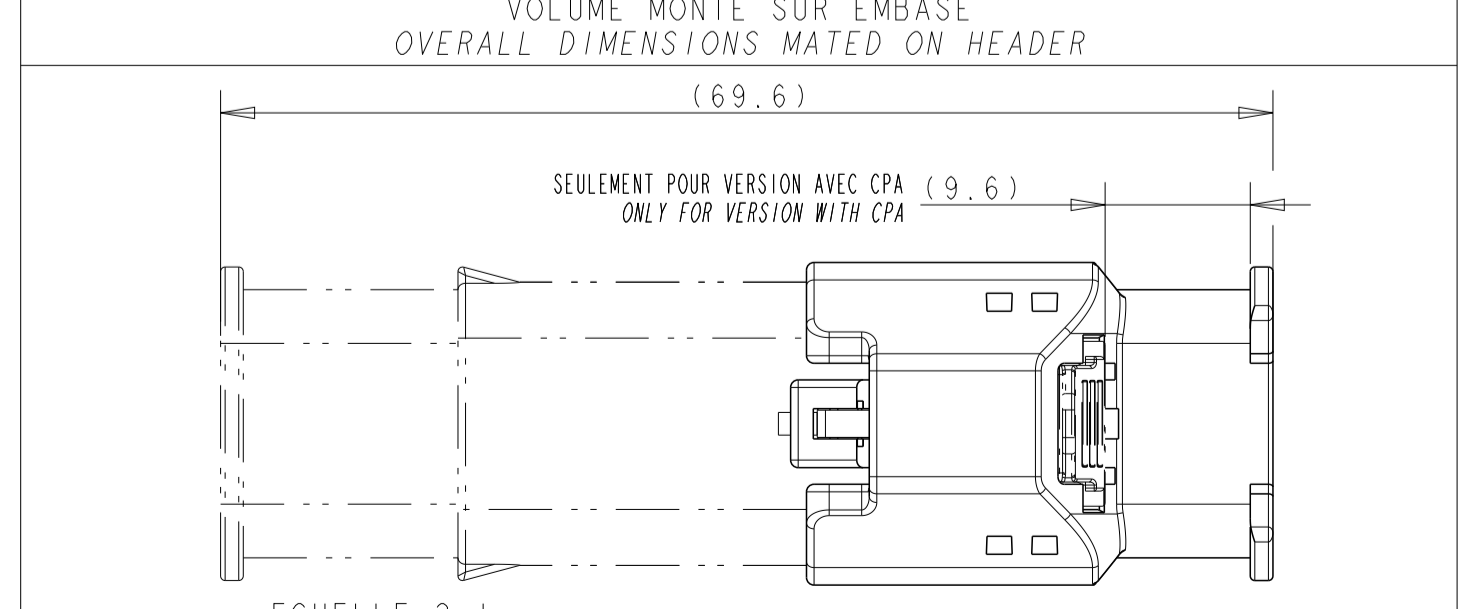
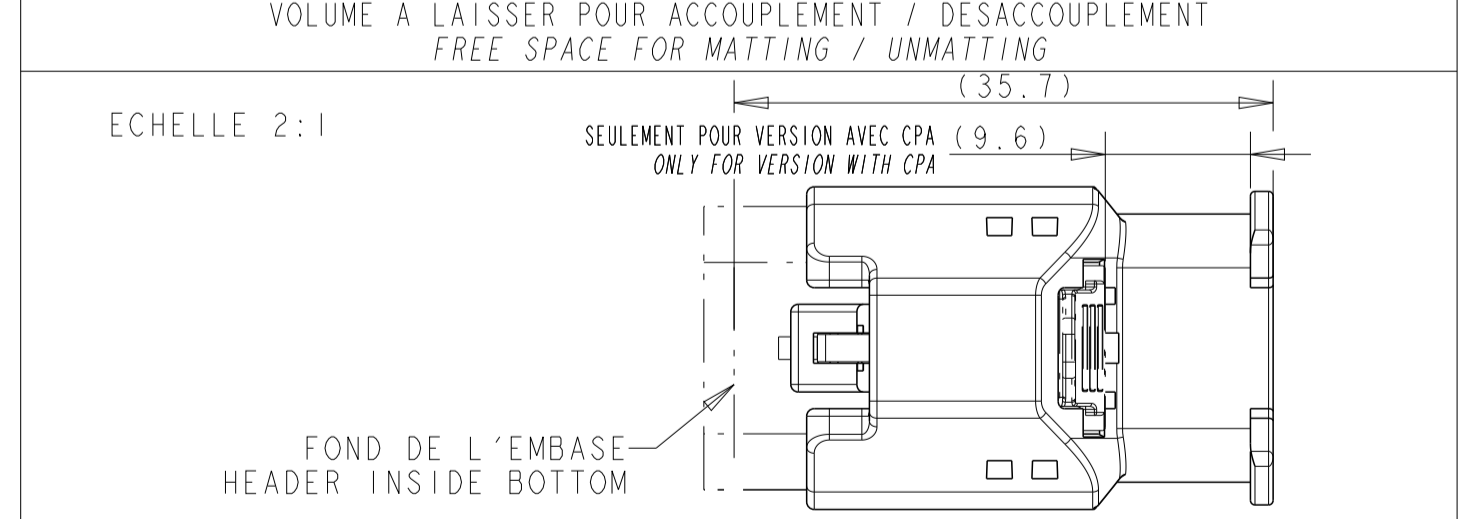
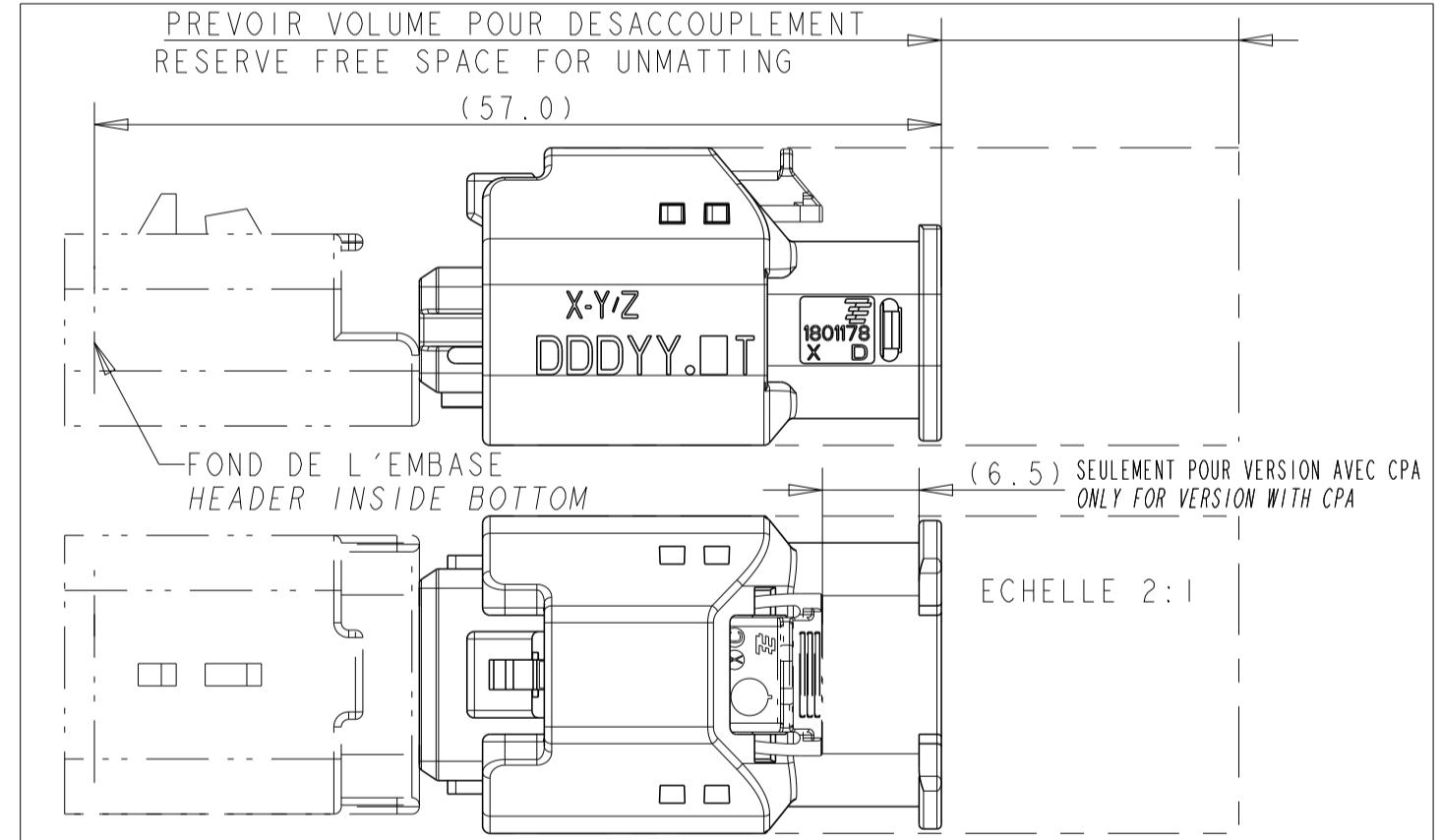
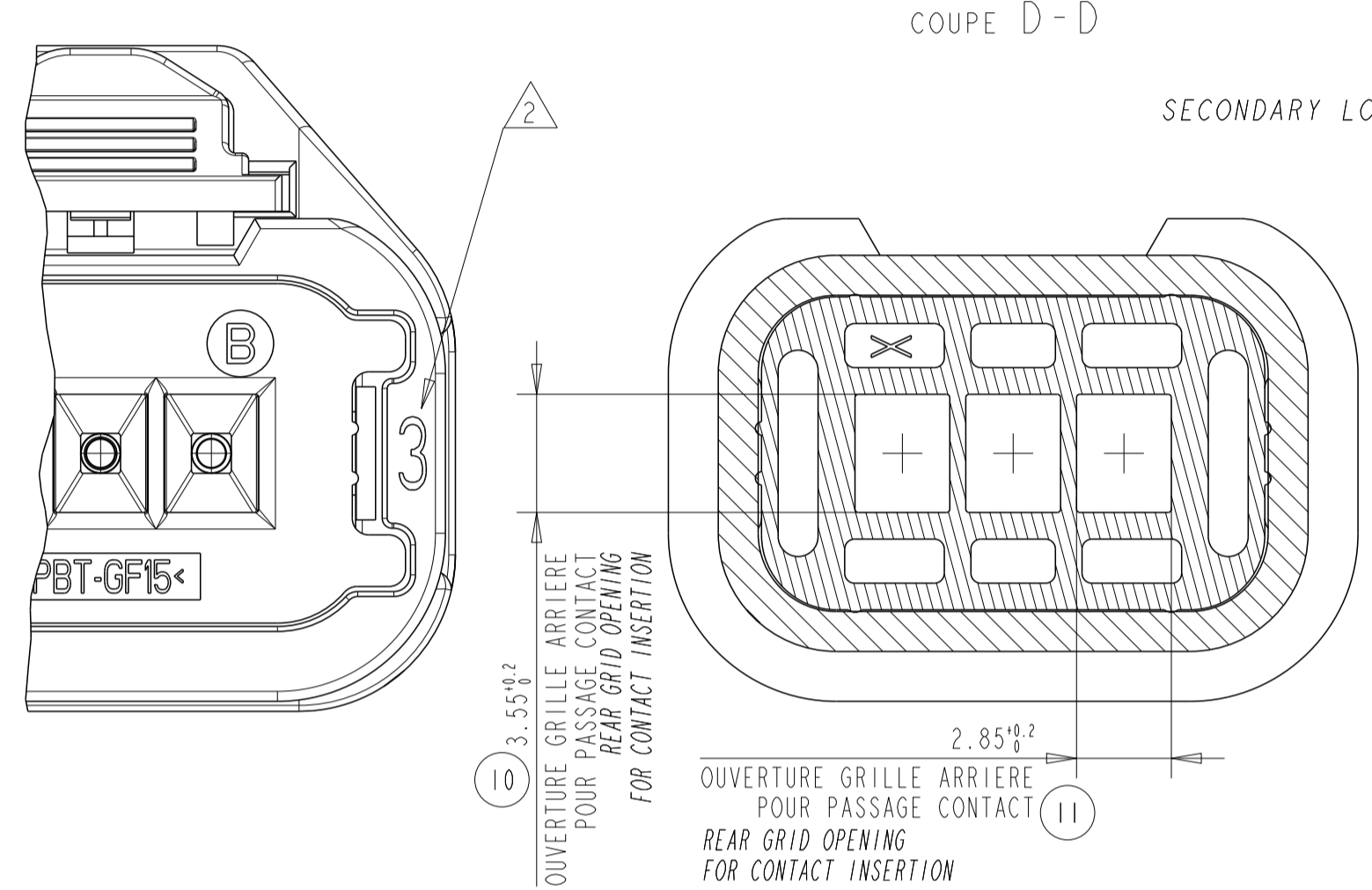
- 1- 1-1801178-1 REPRESENTE (COD. NOIR) / AS SHOWN (COD. BLACK)
- 2 REPERE ALVEOLES / CAVITY MARKING
- 3 LOGO TE / TE LOGO
- 4 DATE D'ASSEMBLAGE / ASSEMBLY DATE
- 5 CODE DU LIEU D'ASSEMBLAGE / ASSEMBLY LOCATION DATE

E = EUROPE / EUROPE
 C = CHINE / CHINA
 M = MERCOSUR / MERCOSUR

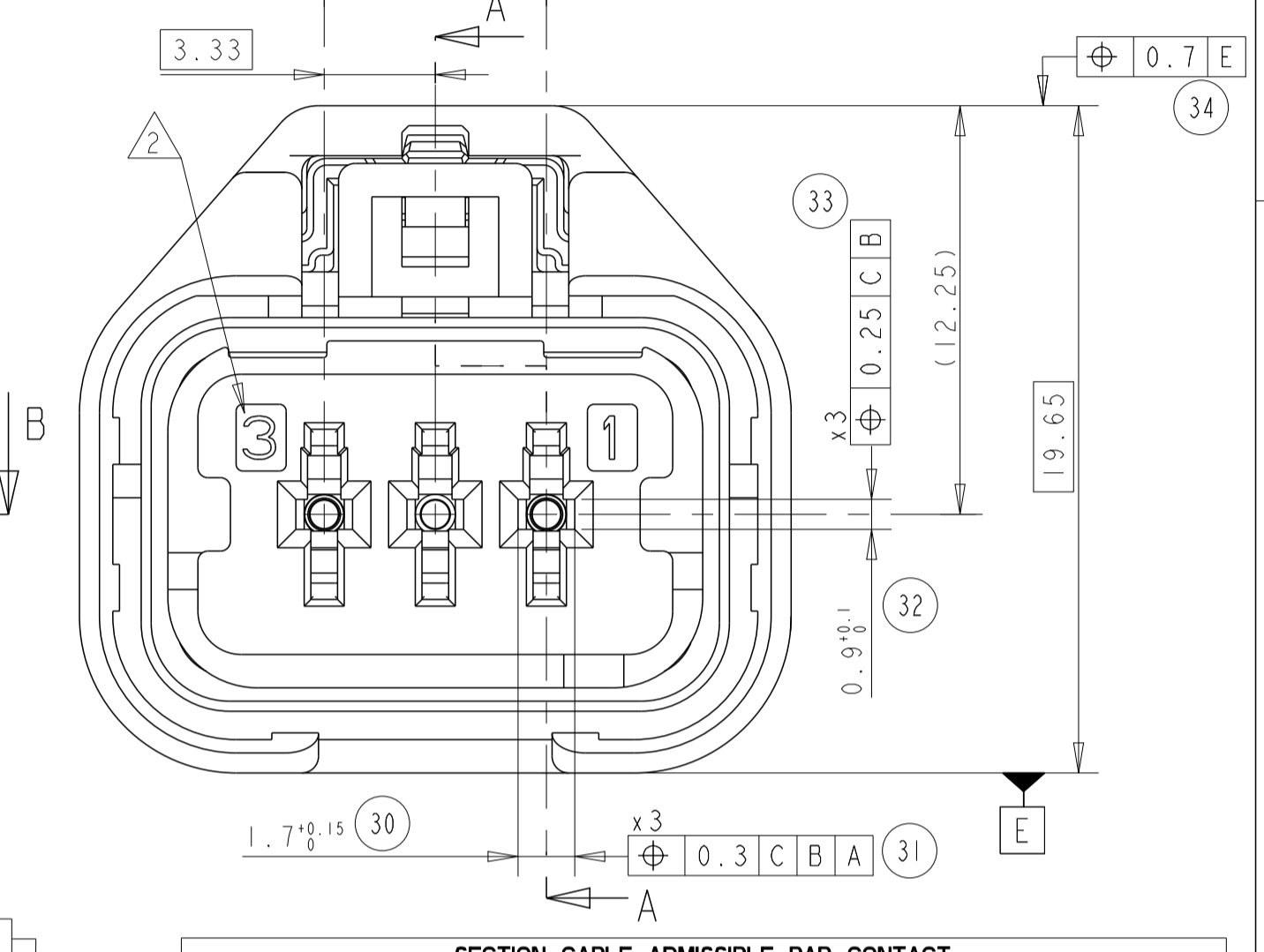
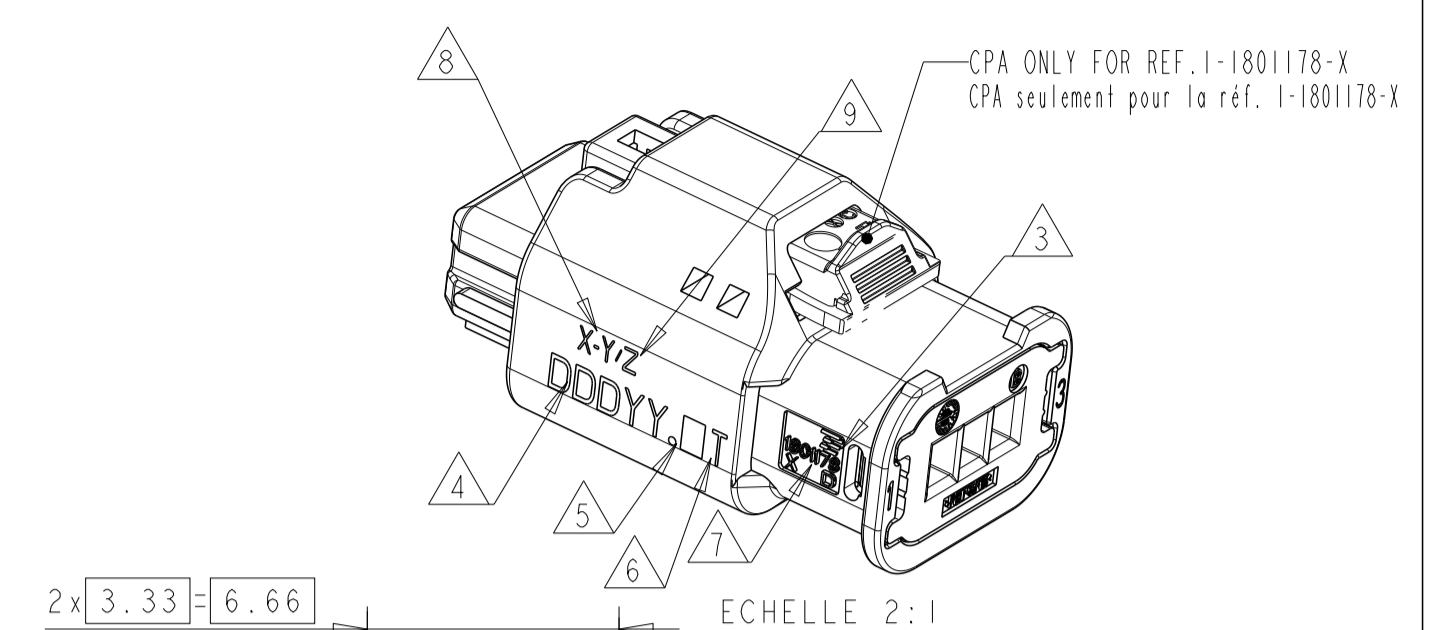
(H) A = AFRIQUE / AFRIQUE

- 6 NUMERO DE LA MACHINE D'ASSEMBLAGE / NUMBER ASSEMBLY LINE
- 7 REF TE DE L'ASSEMBLAGE (RACINE) / TE ASSEMBLY NO (RACINE)
- 8 REF TE DE L'ASSEMBLAGE (SUFFIXE) / TE ASSEMBLY NO (SUFFIX)
- 9 INDICE DE REVISION PRODUIT / PRODUCT REVISION NUMBER

10- PIECES A UTILISER AVEC VOIR TABLEAU "COMPOSANTS ASSOCIES"
 / MATED WITH : SEE TABLE "ASSOCIATED PARTS"



LOC	DIST	REV	DESCRIPTION	DATE	OWN	APPV
F	00	E	INCREASE IN THE LENGTH OF THE EXTERNAL WALL ABOVE THE LOCKING LATCH	01DEC2009	FJ	XR
		F	MODIFIED CPA TO DECREASE ACTIVATION AND DESACTIVATION FORCE	12JUL2010	FJ	XR
		G	ADDED NUMBER ASSY LINE ON THE PART	21NOV2011	FJ	XR
		H	UPDATED NOTE 5 WITH NEW PLANT CODE	15NOV2018	ASB	XR



**SECTION CABLE ADMISSIBLE PAR CONTACT
 ACCEPTABLE CABLE SECTIONS PER CONTACT**

La section des câbles utilisés doit être comprise entre 0,35 et 2mm² avec un diamètre d'isolant compris entre 1,40mm mini et 2,80mm Maxi
 The cross-section of the cables used must be between 0,35 and 2mm² (with Insulator diameter included between 1,40mm mini and 2,80mm Maxi)

DESCRIPTION TITLE	TE NO REF TE
CAPOT FIXE 3 VOIES - SORTIE GAUCHE/DROITE FIXED COVER 3 WAYS - LEFT/RIGHT EXIT	1801467-1
CAPOT FIXE 3 VOIES - SORTIE HAUT/BAS FIXED COVER 3 WAYS - UP/DOWN EXIT	1801467-2
CAPOT FIXE 3 VOIES - SORTIE AXIALE FIXED COVER 3 WAYS - EXIT IN LINE	1801168-5
CAPOT ROTATIF 90 DEG. 3 VOIES ROTATIVE COVER 90 DEG. 3 WAYS	1801468-1
CLIP 1.5 SENSOR II DORE Section 1.4 à 2mm ² RECEPTACLE 1.5 SENSOR II GOLD PLATED Section 1.4 to 2mm ²	1670328-1
CLIP 1.5 SENSOR II DORE Section 0.75 à 1mm ² RECEPTACLE 1.5 SENSOR II GOLD PLATED Section 0.75 to 1mm ²	1670326-1
CLIP 1.5 SENSOR II DORE Section 0.35 à 0.5mm ² RECEPTACLE 1.5 SENSOR II GOLD PLATED Section 0.35 to 0.5mm ²	1564724-1
OBTURATEUR "MINI-ETANCHE" "MINI-ETANCHE" PLUGGING PIN	1801177-X
PORTE-LANGUETTES 3 VOIES HP 3 WAYS TAB CONNECTOR HP	1801177-X

COULEUR COLOR	MATIERE MATERIAL	REPERE ITEM
ORANGE ORANGE	PBT-GF15 (MATIERE: HB) CPA	6
VERT GREEN	SILICONE LUBRIFIE A 5% ; DURETE 30 SHORE A LUBRIFICATED SILICON TO 5% ; HARNESS 30 SH. A	5
NOIR BLACK	PBT-GF15 (MATIERE: HB) (HB MATERIAL)	4
VERT GREEN	SILICONE LUBRIFIE A 4% ; DURETE 50 SHORE A LUBRIFICATED SILICON TO 4% ; HARNESS 50 SH. A	3
VOIR TABLEAU DES REF. SEE TABLE OF PART NO	PBT-GF15 (MATIERE: HB) (HB MATERIAL)	2
NOIR BLACK	PBT-GF15 (MATIERE: HB) (HB MATERIAL)	1

THIS DRAWING IS A CONTROLLED DOCUMENT. DWN: 22NOV2007, CHK: A. BARLEMON, J. DAHER, APPV: J. DAHER, 23NOV2007

TE Connectivity

3 WAYS RECEPTACLE CONNECTOR HP
 PORTE-CLIPS 3 VOIES HP

SIZE: 108-15378
 APPLICATION SPEC: 411-15712
 WEIGHT: 1.7g / 1.4g
 CUSTOMER DRAWING: A100779

SCALE: 3:1 SHEET: 1 OF 1 REV: H

X-ON Electronics

Largest Supplier of Electrical and Electronic Components

Click to view similar products for [Automotive Connectors](#) category:

Click to view products by [TE Connectivity](#) manufacturer:

Other Similar products are found below :

[003-018-000](#) [60403001](#) [60993906-B](#) [M902-2131](#) [M902-2161](#) [M902-2344](#) [72.330.1035.1](#) [73.353.4028.0](#) [F119300-B](#) [F166900](#) [F258300-B](#)
[F358300-B](#) [F407400](#) [F444110](#) [F487000](#) [F509500B-B](#) [827153-1](#) [8N1515-32-24P](#) [9-1326729-8](#) [925474-1](#) [928905-1](#) [964562-4](#) [968782-1](#)
[GT17SA-8DS-HU](#) [98891-1012](#) [98947-1016](#) [12004147](#) [12004475-L](#) [12010290](#) [12010309-B](#) [12015454](#) [12020219-B](#) [12041318-B](#) [12052225-](#)
[L](#) [12052466](#) [12064869](#) [12004327-B](#) [12015308](#) [12015384](#) [12015909](#) [1-21030-1](#) [12041254](#) [12041318](#) [12047946-B](#) [12047957](#) [12047957-L](#)
[12059473](#) [12066261](#) [12110546](#) [12110546-B](#)