

FIXED COVER 3 WAYS - LEFT/RIGHT EXIT Abdeckkappe mit Abgang links/rechts	FOR CORRUGATED TUBE Ø6 Fuer Wellrohr Ø6	1801467-1
	FOR CORRUGATED TUBE Ø4.5 Fuer Wellrohr Ø4.5	1-1801467-1
FIXED COVER 3 WAYS - UP/DOWN EXIT Abdeckkappe mit Abgang oben/unten	FOR CORRUGATED TUBE Ø6 Fuer Wellrohr Ø6	1801467-2
	FOR CORRUGATED TUBE Ø4.5 Fuer Wellrohr Ø4.5	1-1801467-2
FIXED COVER 3 WAYS - EXIT IN LINE Abdeckkappe mit geradem Abgang	FOR CORRUGATED TUBE Ø6 Fuer Wellrohr Ø6	1801168-5
	FOR CORRUGATED TUBE Ø4.5 Fuer Wellrohr Ø4.5	1-1801168-5
ROTATIVE COVER 90 DEG. 3 WAYS Drehbare Abdeckkappe mit 90 Grad Abgang	FOR CORRUGATED TUBE Ø6 Fuer Wellrohr Ø6	1801468-1
	FOR CORRUGATED TUBE Ø4.5 Fuer Wellrohr Ø4.5	1-1801468-1
ADAPTER FOR COVER WITH 90 DEG. EXIT Adapter fuer Abdeckkappe mit 90 Grad Abgang		1801359-1
RECEPTACLE 1.5 SENSOR GOLD PLATED Section 1.5mm ² 1.5 mm Sensor Flachkontakt fuer 1.5mm ² , selektiv vergoldet		1670328-1
RECEPTACLE 1.5 SENSOR GOLD PLATED Section 0.5 to 1mm ² 1.5 mm Sensor Flachkontakt fuer 0.5 - 1mm ² , selektiv vergoldet		1670326-1
3 WAYS TAB CONNECTOR HP 3 pol. Stift Gehaeuse HP		1801177-X
DESCRIPTION Beschreibung	TE PN TE Nr.	
ASSOCIATED PARTS Zubehoer Teile		

TE PN TE Nr.	COLOUR Farbe	KEYING TOLERANCE: Kodierungstoleranz: ±0.05
0-2141501-1	BLACK schwarz	
0-2141501-2	BLUE blau	
0-2141501-3	GREY grau	
0-2141501-4	YELLOW gelb	
0-2141501-5	GREEN gruen	
0-2141501-6	BROWN braun	
0-2141501-7	WHITE weiss	
0-2141501-8	RED rot	
0-2141501-9	ORANGE orange	

NOTES
 Bemerkungen

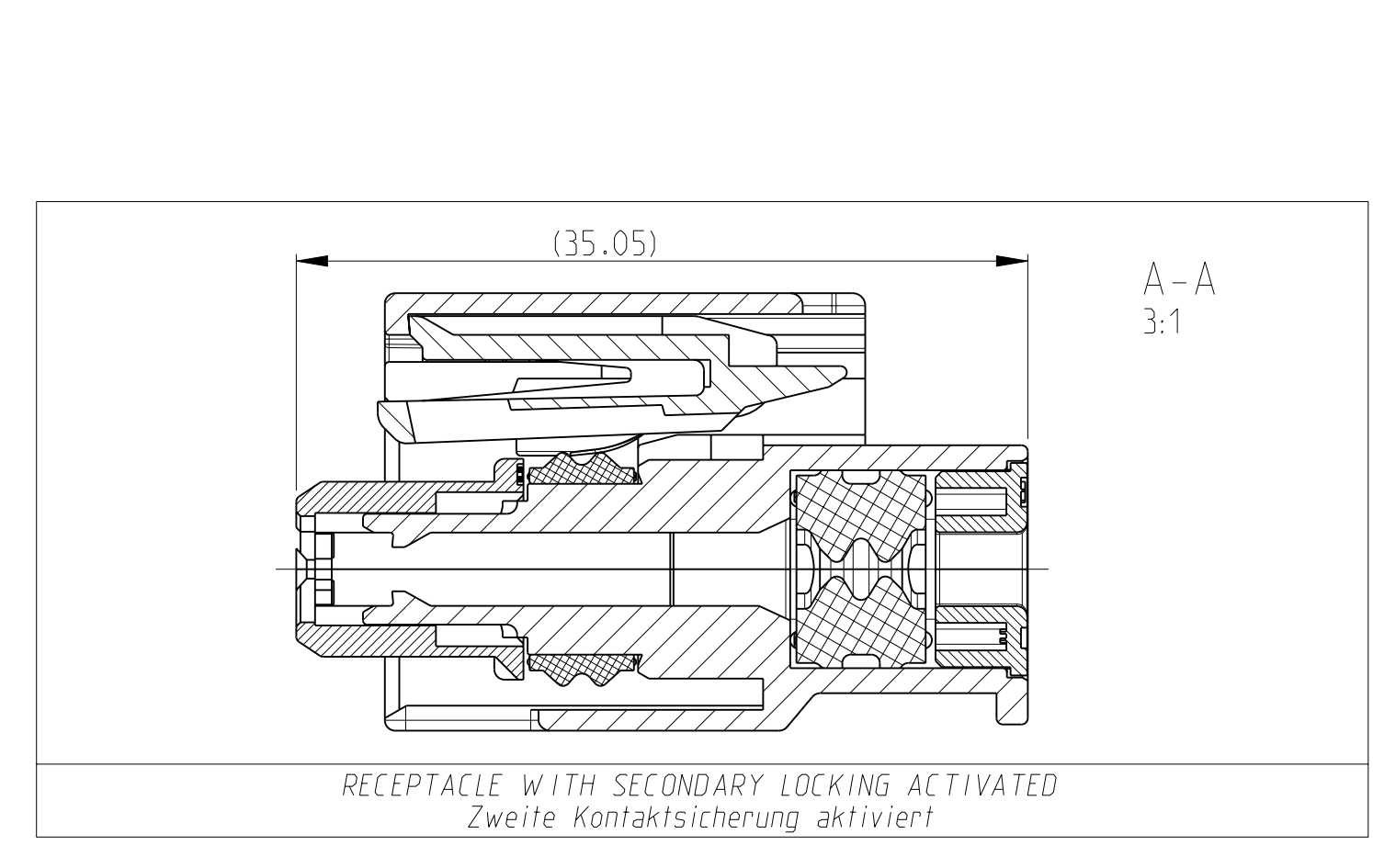
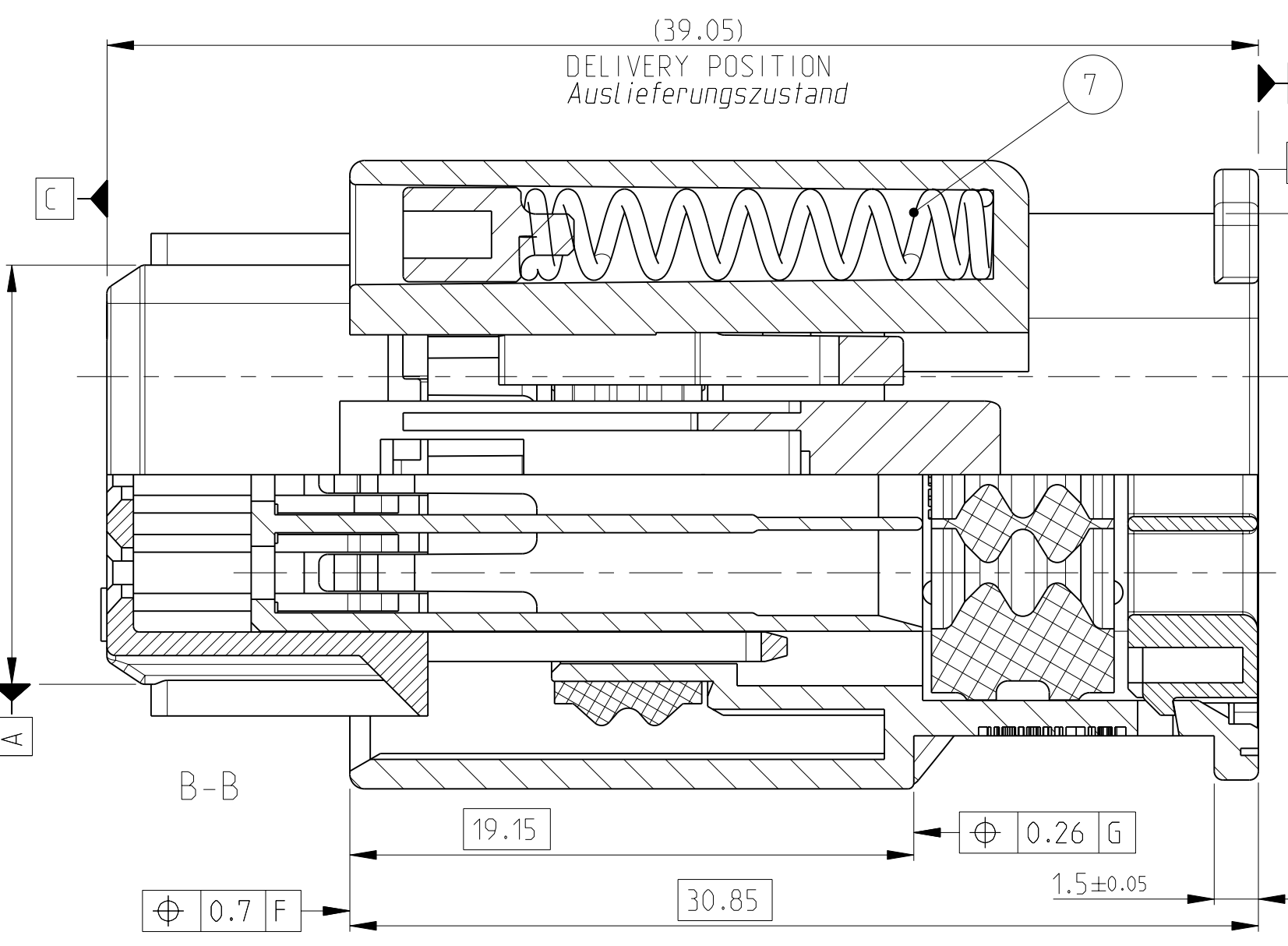
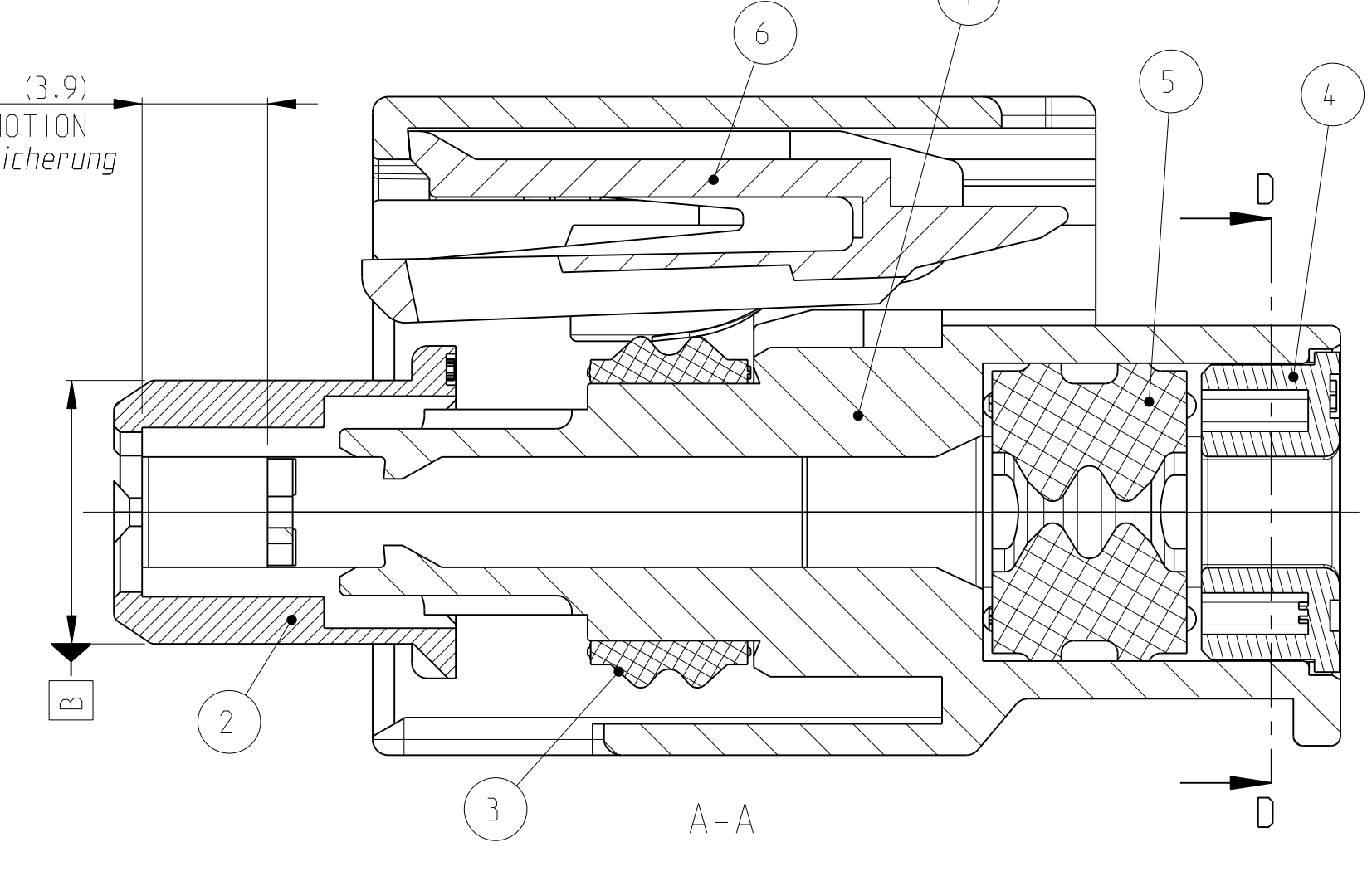
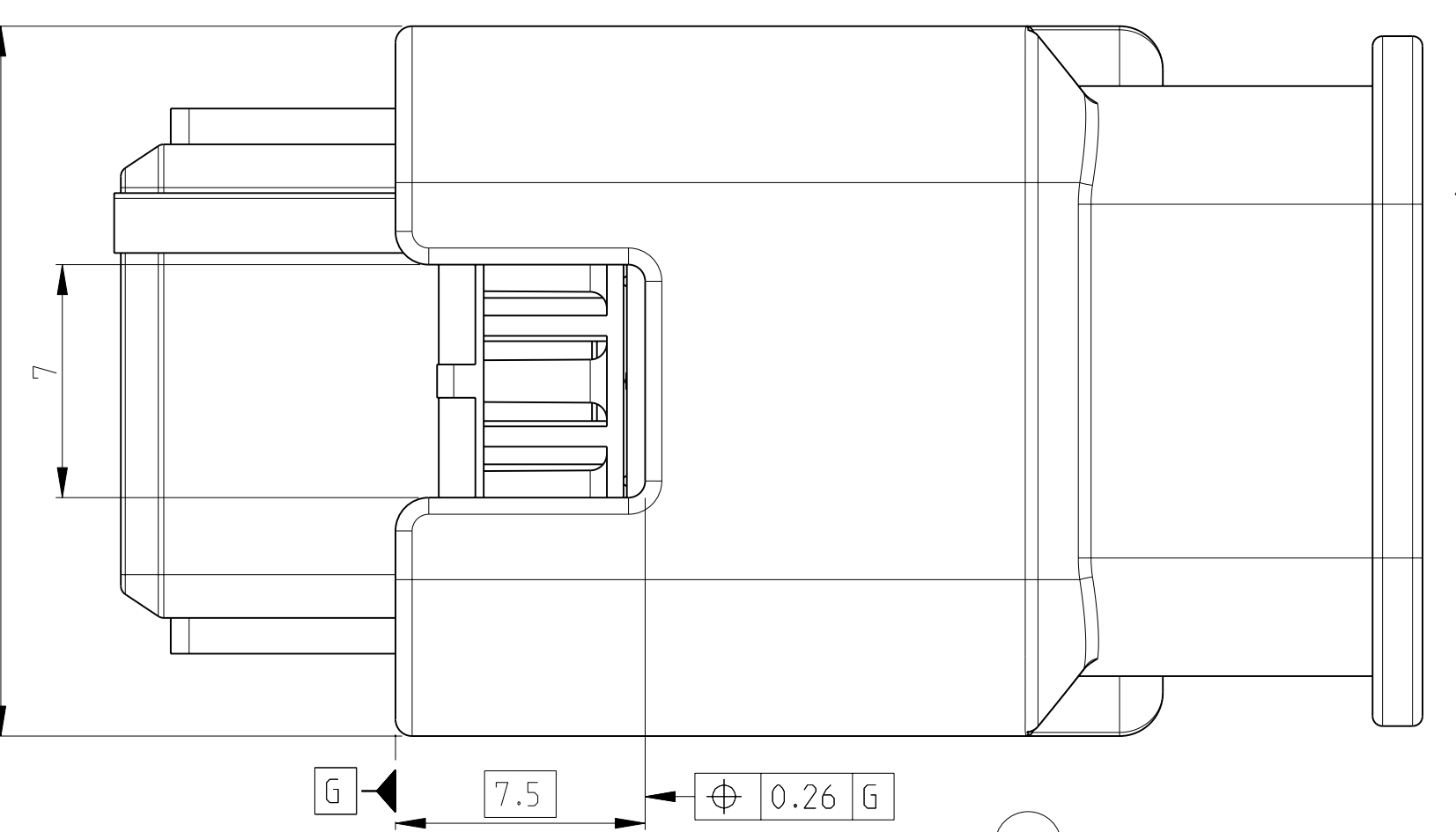
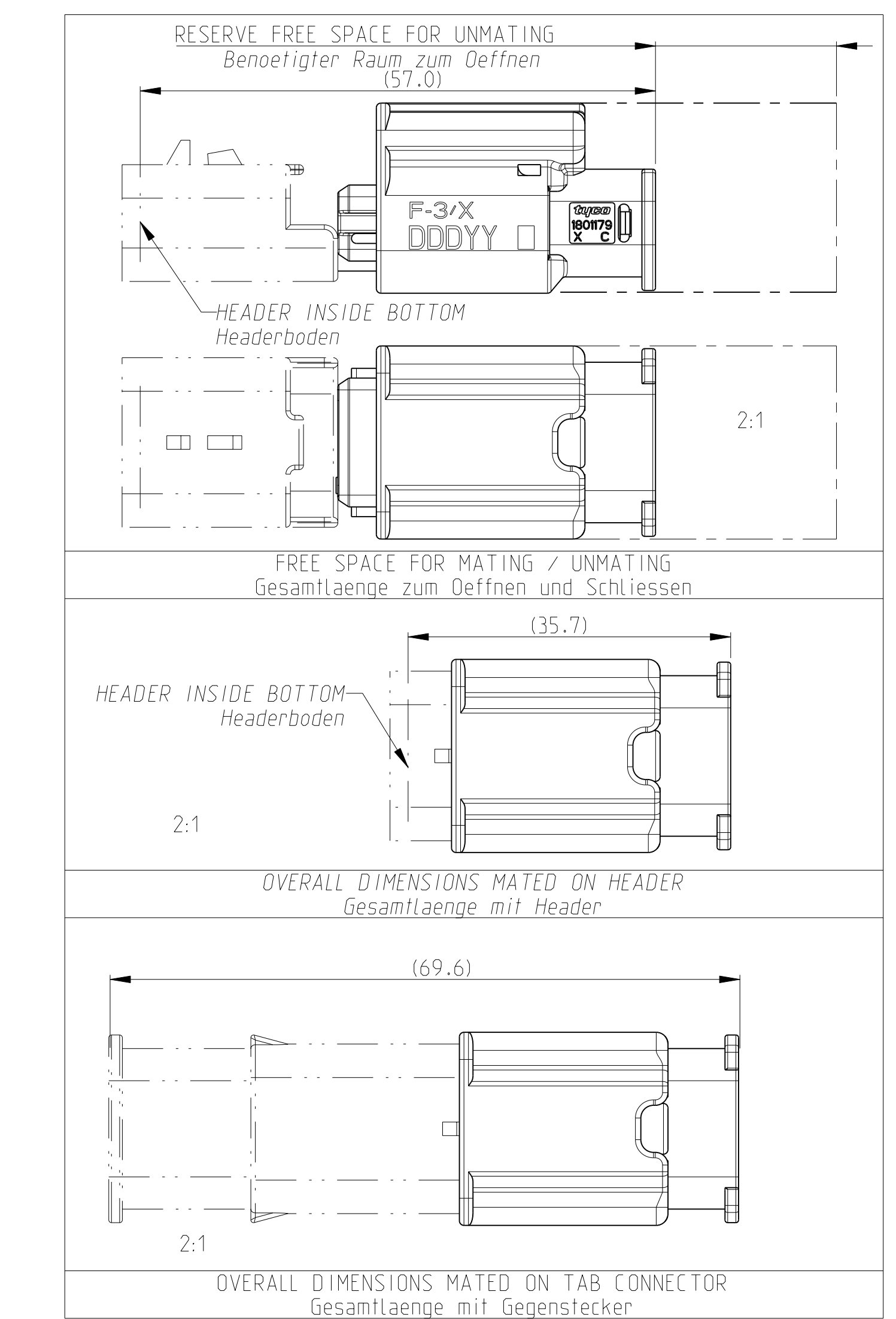
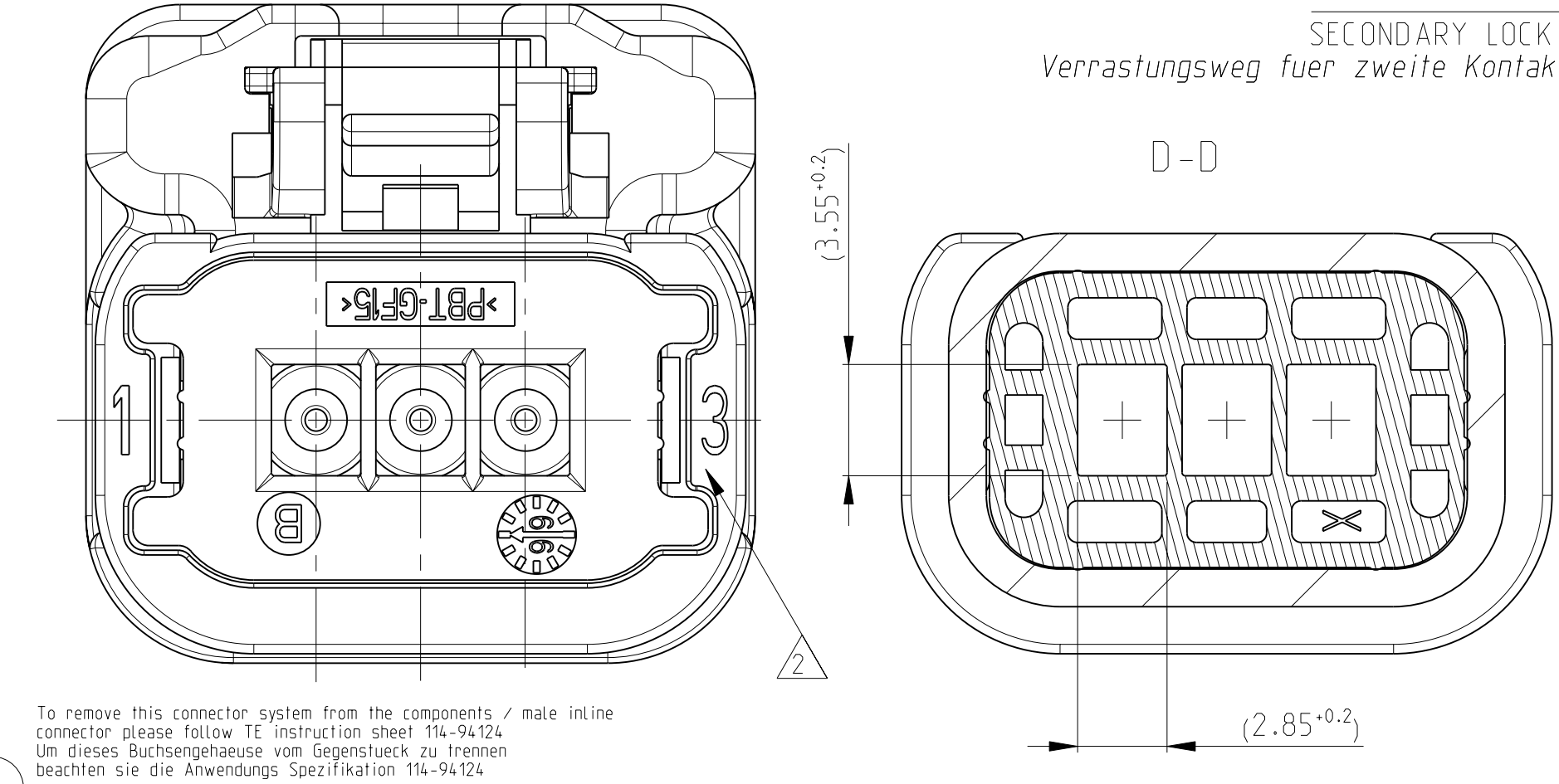
1 CAVITY MARKING
Kommernummerierung

2 TE LOGO
TE Zeichen

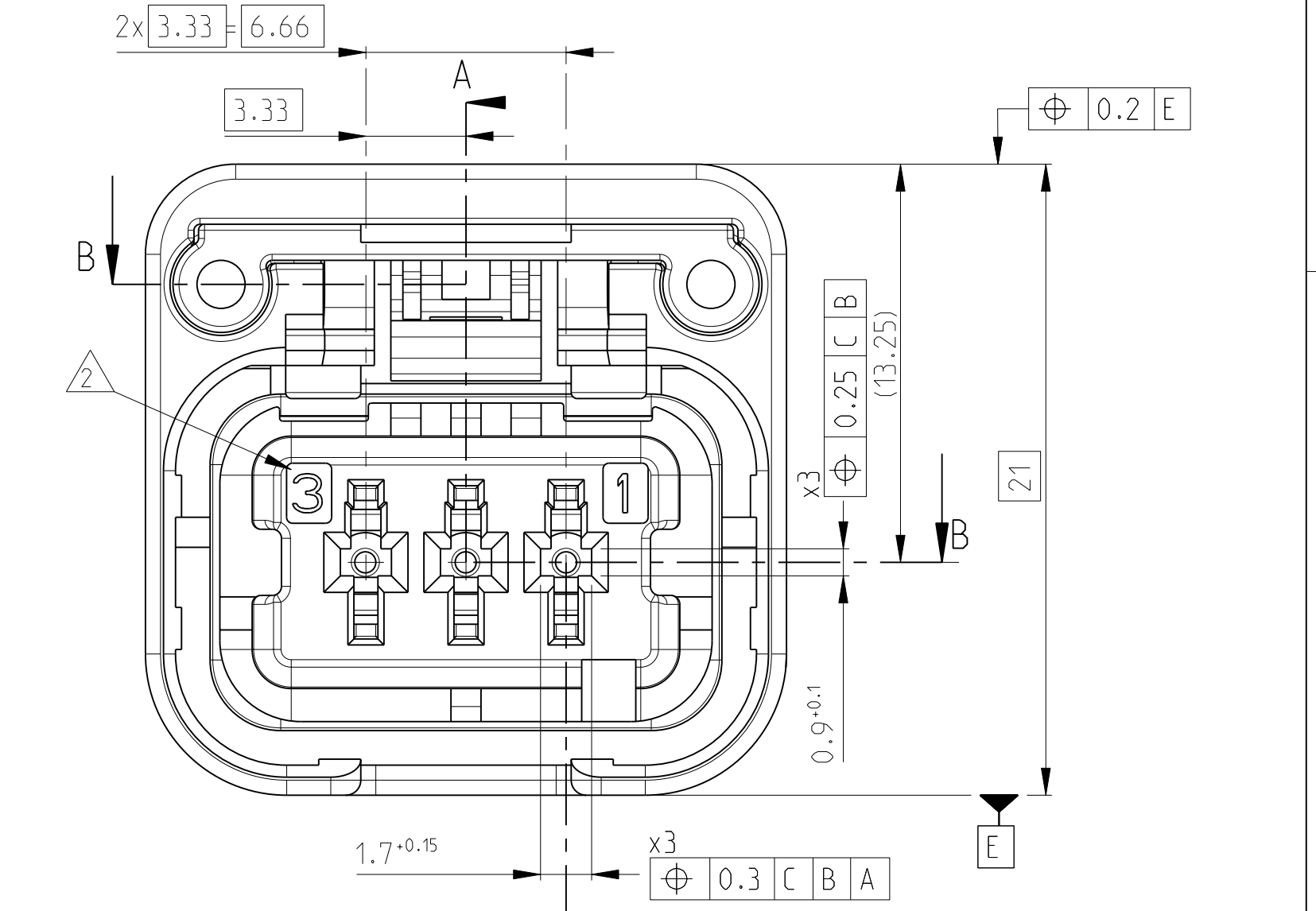
3 ASSEMBLY DATE
Zusammenbau Datum

4 PLANT CODE
Herstellung Land:
E = EUROPE
C = CHINA

5 M = MERCOSUR
ASSY PN AND REVISION
FOR EXAMPLE: F-3XK
F = FORD VERSION; -3 = SUFFIX FOR TE PART NUMBER; X = REVISION
Zusammenbau Nr. und Revision
Zum Beispiel: F-3XK
F = Ford Version; -3 = Nachstrichzahl fuer TE Teilenummer; X = Revision



LOC	DIST	REVISIONS
A1	-	
P	LTR	DESCRIPTION
A		NEW PART, NEW DRAWING
B		E-11-009265
		DATE
		28SEP2011
		09JUN2011
		DWN
		MK
		KR
		APVD
		MK
		KR



ACCEPTABLE CABLE SECTIONS PER CONTACT

The cross-section of the cables used must be between 0.5 and 1.5mm²
 (Wire min= 1.40mm; Wire Max= 2.40mm)
 Kabelquerschnitt liegt zwischen 0.5 und 1.5mm²
 (Ø Min= 1.40mm; Ø Max= 2.40mm)

REV	ASSY PN	QTY	MATERIAL	DESCRIPTION	COLOUR	ITEM
B	0-2141501-9	2	STAINLESS STEEL	SPRING	BLANK	7
B	0-2141501-8	1	PA66-GF30	SPRING-LOCK SLIDE 3 WAYS	YELLOW	6
B	0-2141501-7	1	MVQ	FAMILY SEAL	LIGHT BLUE	5
B	0-2141501-6	1	PBT-GF15	COVER FOR FAMILY SEAL	BLACK	4
B	0-2141501-5	1	MVQ	RADIAL SEAL	LIGHT BLUE	3
B	0-2141501-4	1	PBT-GF15	SEC. LOCKING DEVICE COD.9	ORANGE	2
B	0-2141501-3	1	PBT-GF15	SEC. LOCKING DEVICE COD.8	RED	2
B	0-2141501-2	1	PBT-GF15	SEC. LOCKING DEVICE COD.7	WHITE	2
B	0-2141501-1	1	PBT-GF15	SEC. LOCKING DEVICE COD.6	BROWN	2
		1	PBT-GF15	SEC. LOCKING DEVICE COD.5	GREEN	2
		1	PBT-GF15	SEC. LOCKING DEVICE COD.4	YELLOW	2
		1	PBT-GF15	SEC. LOCKING DEVICE COD.3	GREY	2
		1	PBT-GF15	SEC. LOCKING DEVICE COD.2	BLUE	2
		1	PBT-GF15	SEC. LOCKING DEVICE COD.1	BLACK	2
		1	PBT-GF15	RECEPTACLE HOUSING	BLACK	1

THIS DRAWING IS A CONTROLLED DOCUMENT.

SW: M.Kressmann 20 Jun 2011
 CHK: K.Roth 30 SEP 2010
 APVD: E.Mueller 04 OCT 2010

NAME: 3 WAY RECEPTACLE HPSSL CONNECTOR ASSEMBLY

SIZE: A1 CAGE CODE: 00779 DRAWING NO: C-2141501

SCALE: 5:1 SHEET: 1 OF 1 REV: B

X-ON Electronics

Largest Supplier of Electrical and Electronic Components

Click to view similar products for [Automotive Connectors](#) category:

Click to view products by [TE Connectivity](#) manufacturer:

Other Similar products are found below :

[003-018-000](#) [60403001](#) [60993906-B](#) [M902-2131](#) [M902-2161](#) [72.330.1035.1](#) [73.353.4028.0](#) [F119300-B](#) [F166900](#) [F258300-B](#) [F358300-B](#)
[F407400](#) [F444110](#) [F487000](#) [F509500B-B](#) [827153-1](#) [8N1515-32-24P](#) [9-1326729-8](#) [925474-1](#) [928905-1](#) [964562-4](#) [968782-1](#) [GT17SA-8DS-](#)
[HU](#) [98891-1012](#) [98947-1016](#) [12004147](#) [12004475-L](#) [12010290](#) [12010309-B](#) [12015454](#) [12020219-B](#) [12020308](#) [12041318-B](#) [12052225-L](#)
[12052466](#) [12059125](#) [12064869](#) [12004327-B](#) [12010503-B](#) [12015308](#) [12015384](#) [12015909](#) [1-21030-1](#) [12041254](#) [12041318](#) [12047946-B](#)
[12047957](#) [12047957-L](#) [12059473](#) [12066261](#)