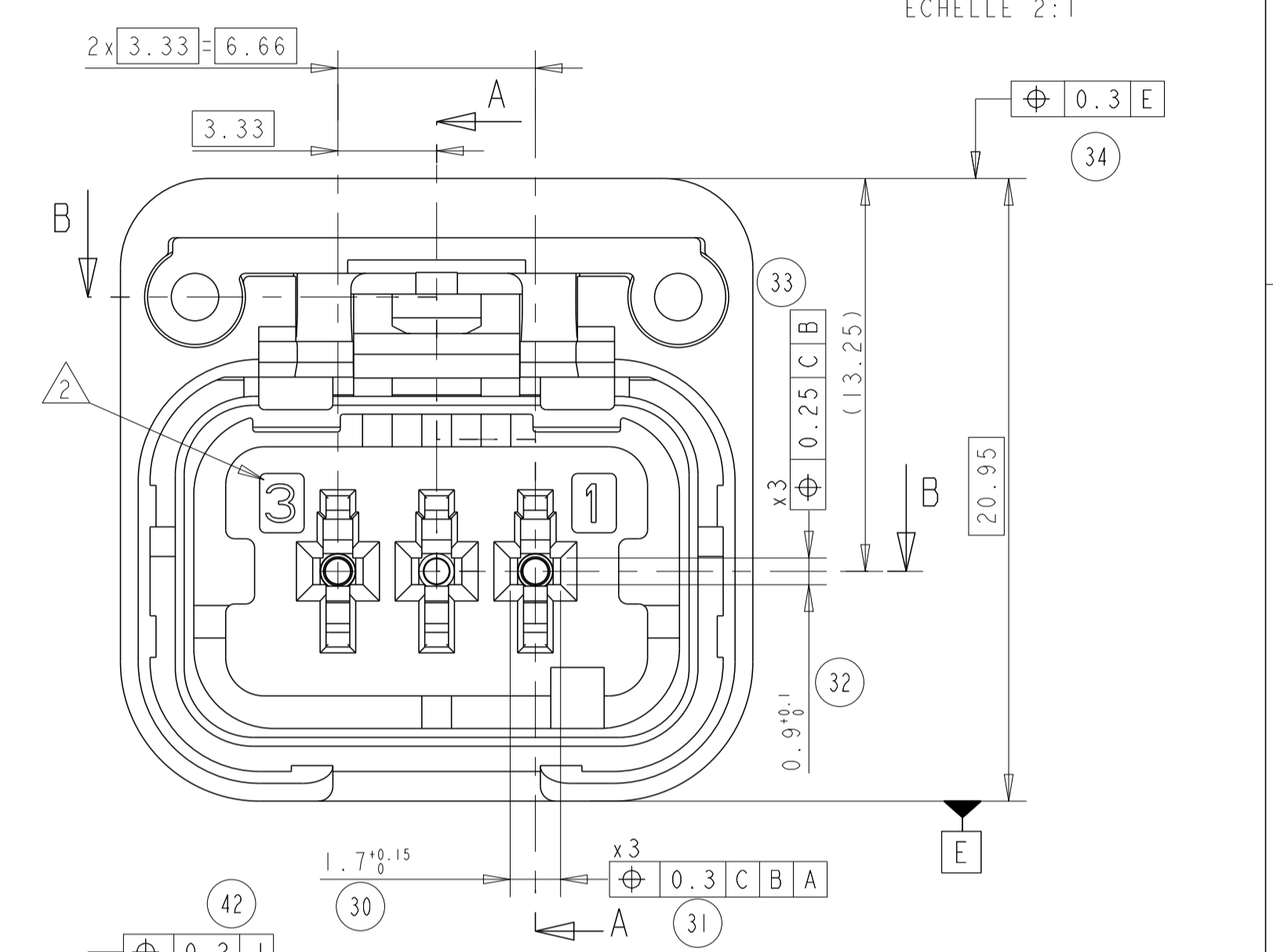
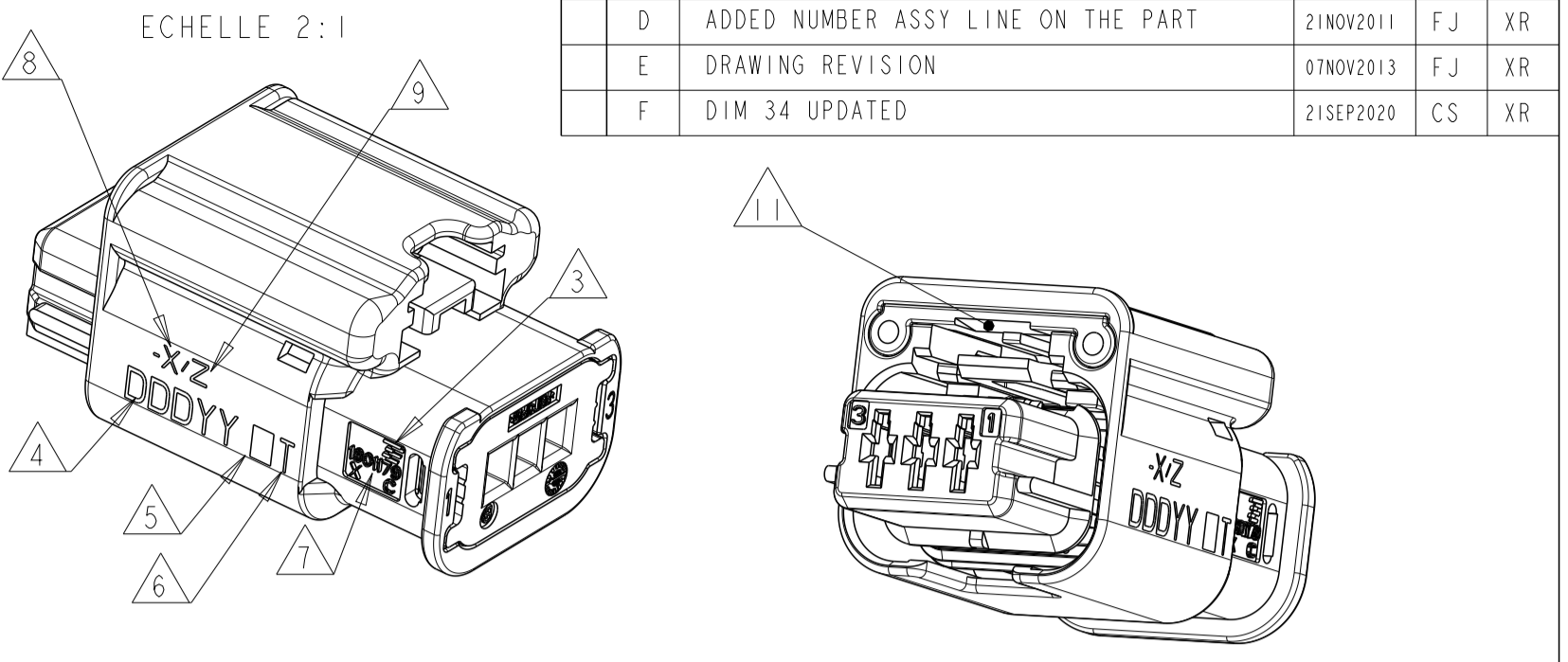
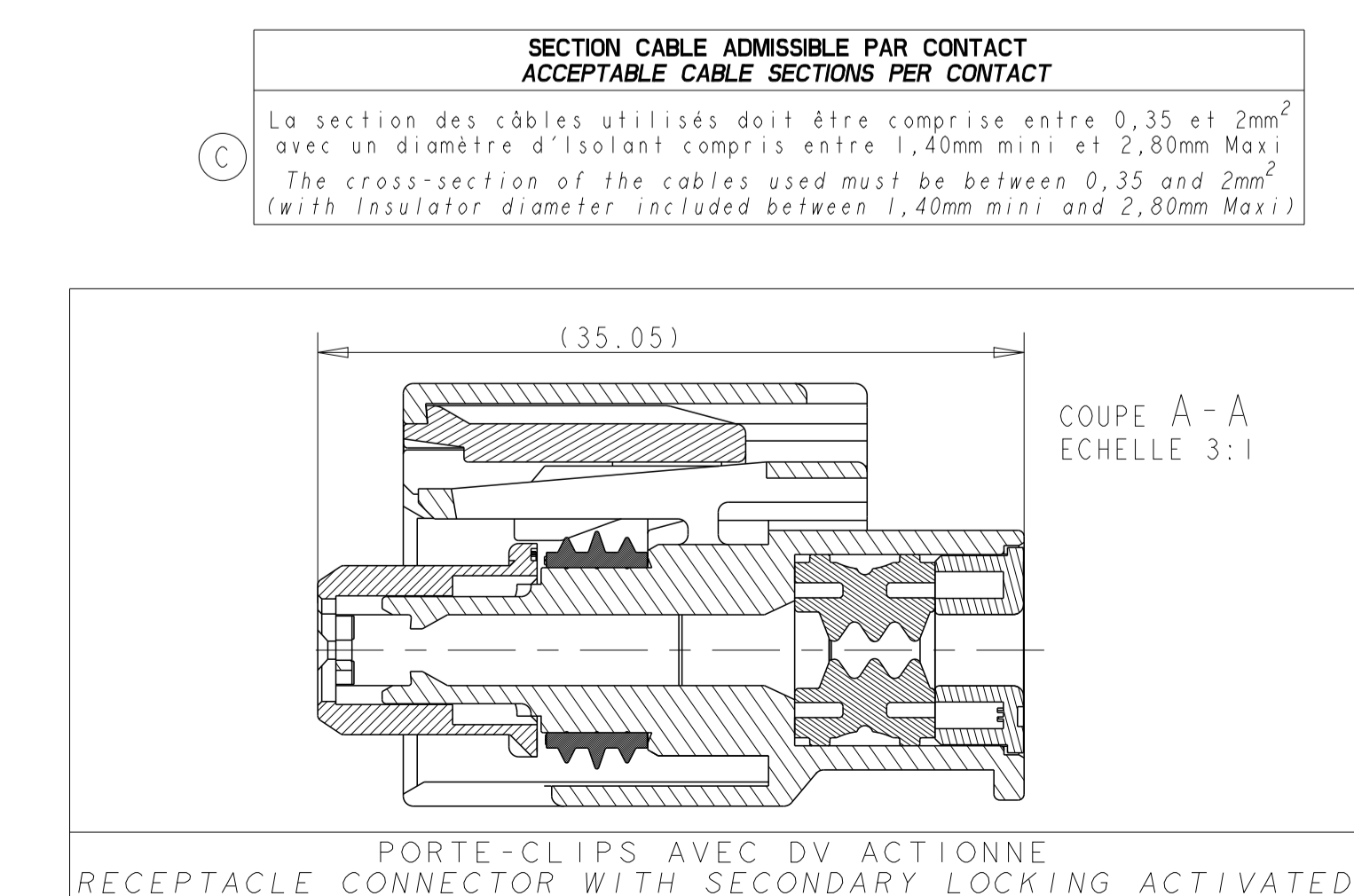
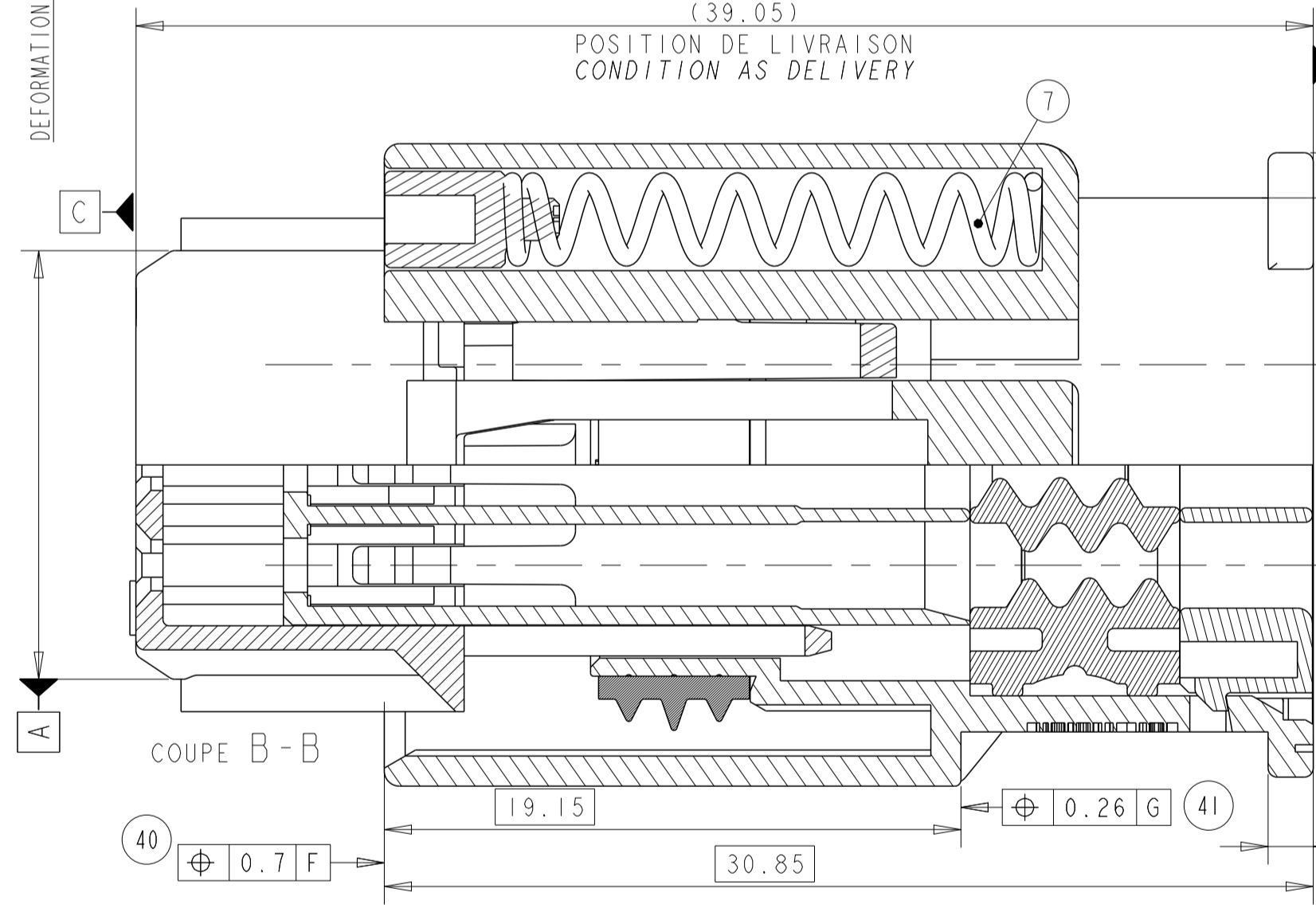
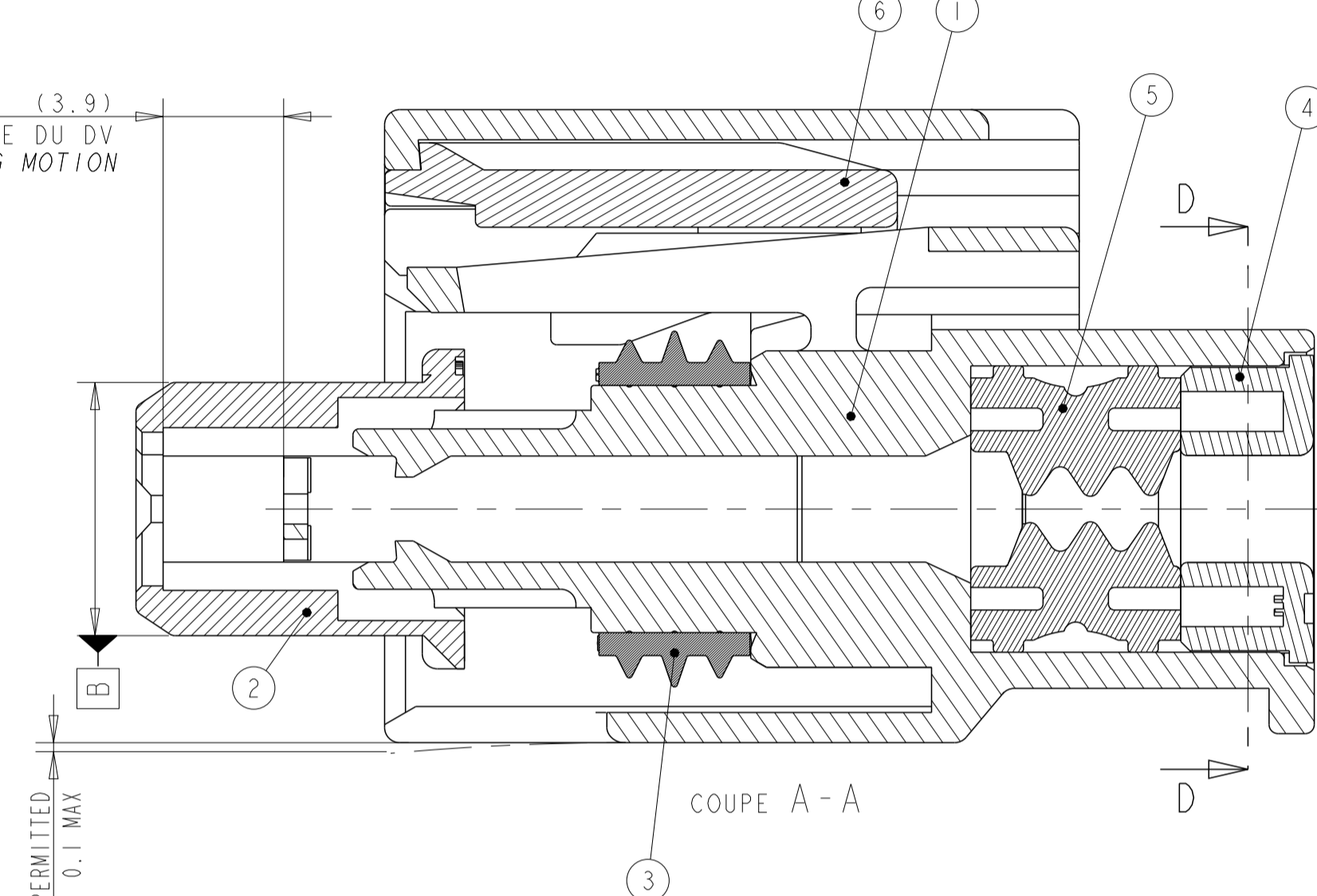
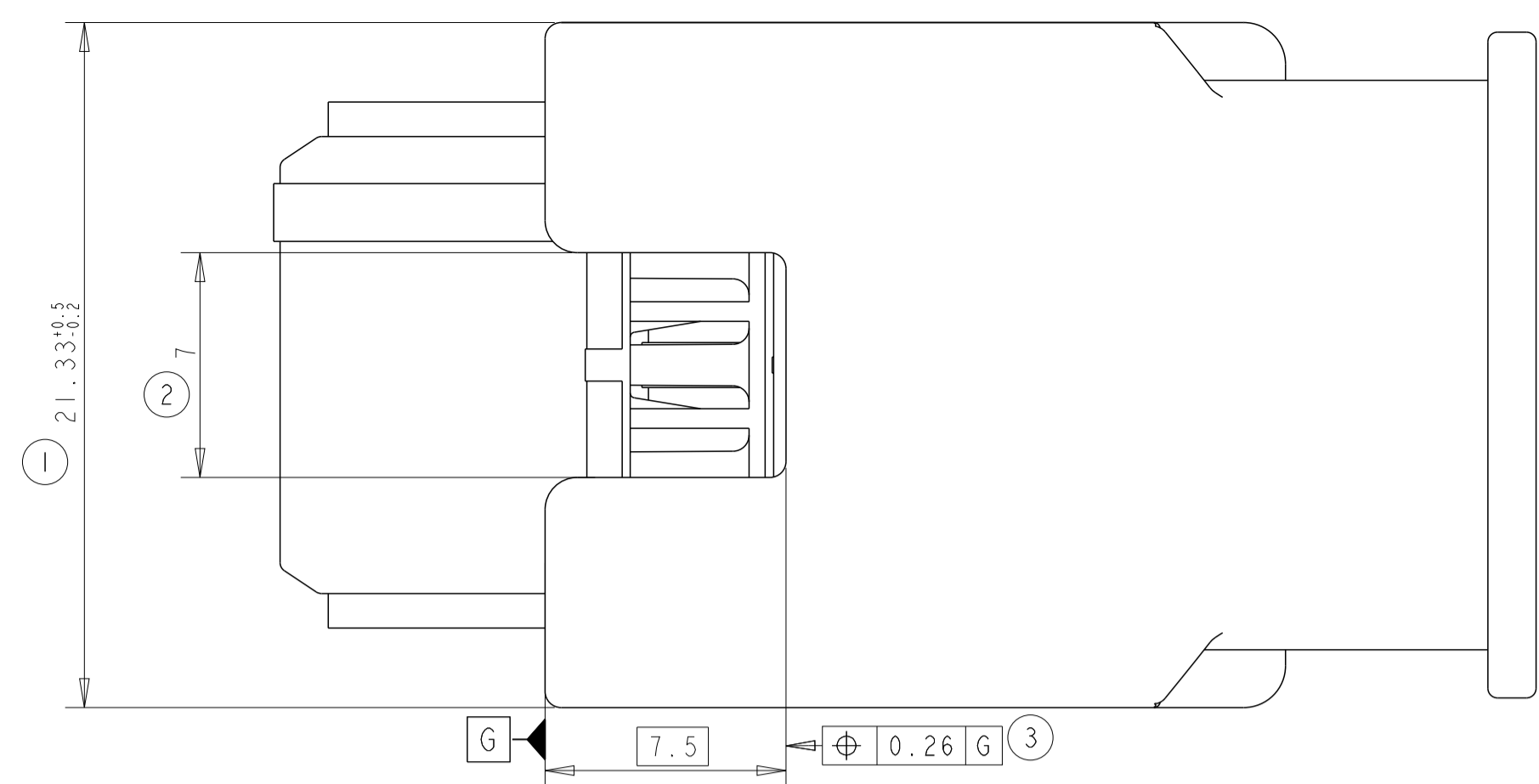
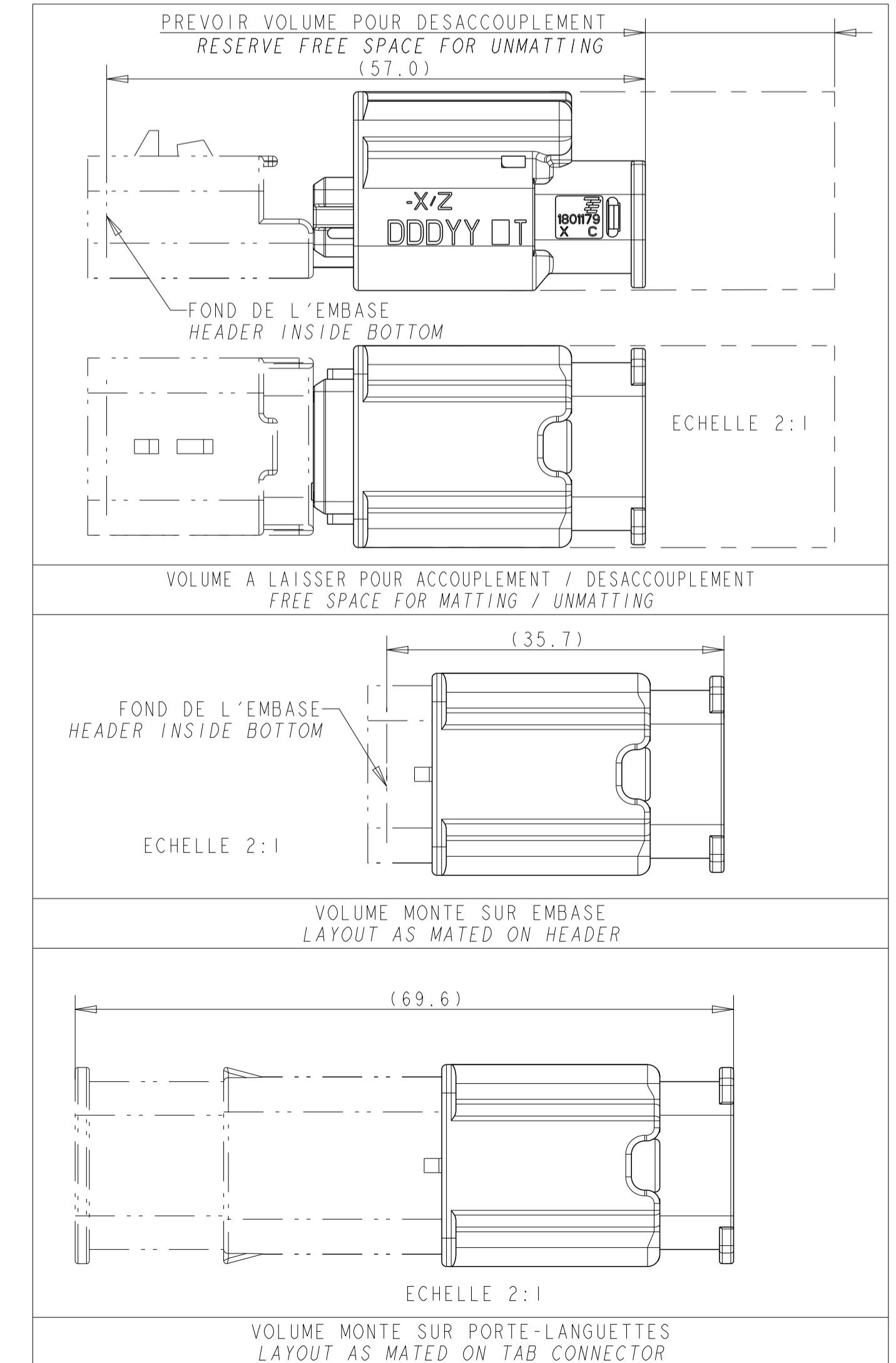
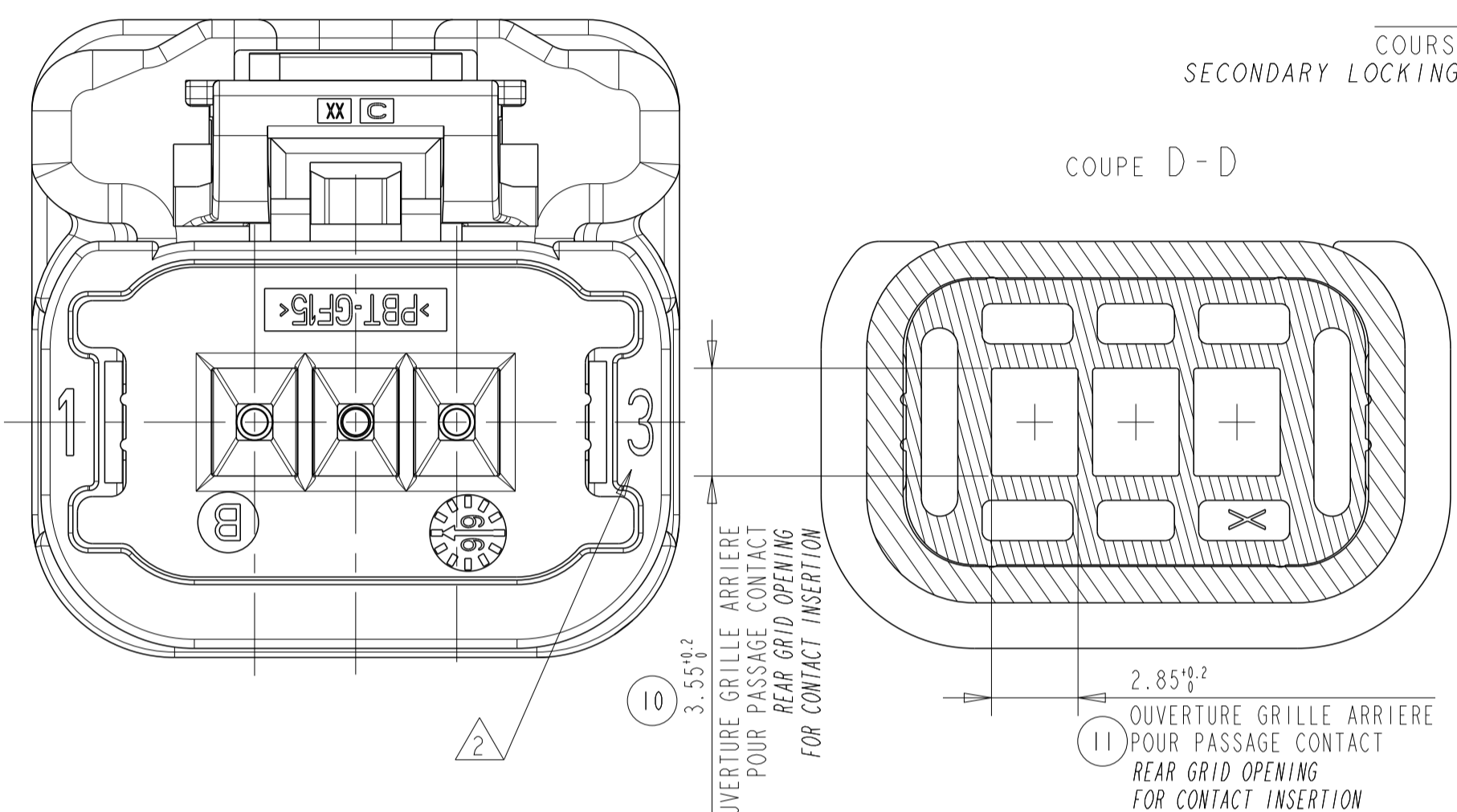


REF. TE TE NO.	INDICE DE REVISION REVISION NUMBER	COULEUR COLOR	TOLERANCE POUR DETROMPAGE: ±0.05 KEYING TOLERANCE
1801179-1	D	NOIR BLACK	ECHELLE 2:1 100 5.65
1801179-2	D	BLEU BLUE	ECHELLE 2:1 110 3.75
1801179-3	D	GRIS GREY	ECHELLE 2:1 120 1.85
1801179-4	D	JAUNE YELLOW	ECHELLE 2:1 130 0.15
1801179-5	D	VERT GREEN	ECHELLE 2:1 140 1.95
1801179-6	D	MARRON BROWN	ECHELLE 2:1 150 3.85
1801179-7	D	BLANC WHITE	ECHELLE 2:1 160 1.15
1801179-8	D	ROUGE RED	ECHELLE 2:1 170 1.15
1801179-9	D	ORANGE ORANGE	ECHELLE 2:1

- NOTES/NOTES:
- 1- 1801179-1 REPRESENTE (COD. NOIR) / AS SHOWN (COD. BLACK)
 - 2 REPERE ALVEOLES / CAVITY MARKING
 - 3 LOGO TE / TE LOGO
 - 4 DATE D'ASSEMBLAGE / ASSEMBLY DATE
 - 5 CODE DU LIEU D'ASSEMBLAGE / ASSEMBLY LOCATION DATE
 - E = EUROPE / EUROPE
 - C = CHINE / CHINA
 - M = MERCOSUR / MERCOSUR
 - 6 NUMERO DE LA MACHINE D'ASSEMBLAGE / NUMBER ASSEMBLY LINE
 - 7 REF TE DE L'ASSEMBLAGE (RACINE) / TE ASSEMBLY NO (RACINE)
 - 8 REF TE DE L'ASSEMBLAGE (SUFFIXE) / TE ASSEMBLY NO (SUFFIX)
 - 9 INDICE DE REVISION PRODUIT / PRODUCT REVISION NUMBER
 - 10- PIECES A UTILISER AVEC VOIR TABLEAU "COMPOSANTS ASSOCIES" / MATED WITH : SEE TABLE "ASSOCIATED PARTS"
 - 11 FORME OPTIONNELLE / OPTIONAL SHAPE



DESCRIPTION TITLE	COMPOSANTS ASSOCIES ASSOCIATED PARTS	TE NO REF. TE
CAPOT FIXE 3 VOIES - SORTIE GAUCHE/DROITE FIXED COVER 3 WAYS - LEFT/RIGHT EXIT	POUR GAINÉ ANNELEE DE 6mm FOR CORRUGATED TUBE OF 6mm POUR GAINÉ ANNELEE DE 4.5mm FOR CORRUGATED TUBE OF 4.5mm	1801467-1 1-1801467-1
CAPOT FIXE 3 VOIES - SORTIE HAUT/BAS FIXED COVER 3 WAYS - UP/DOWN EXIT	POUR GAINÉ ANNELEE DE 6mm FOR CORRUGATED TUBE OF 6mm POUR GAINÉ ANNELEE DE 4.5mm FOR CORRUGATED TUBE OF 4.5mm	1801467-2 1-1801467-2
CAPOT FIXE 3 VOIES - SORTIE AXIALE FIXED COVER 3 WAYS - EXIT IN LINE	POUR GAINÉ ANNELEE DE 6mm FOR CORRUGATED TUBE OF 6mm POUR GAINÉ ANNELEE DE 4.5mm FOR CORRUGATED TUBE OF 4.5mm	1801168-5 1-1801168-5
CAPOT ROTATIF 90 DEG. 3 VOIES ROTATIVE COVER 90 DEG. 3 WAYS	CAPOT (*) COVER	1801468-1 1-1801468-1
SUPPORT ADAPTER	SUPPORT (**) ADAPTER	1801359-1
CLIP 1.5 SENSOR 11 DORE Section 1.4 à 2mm² RECEPTACLE 1.5 SENSOR 11 GOLD PLATED Section 1.4 to 2mm²	POUR GAINÉ ANNELEE DE 6mm FOR CORRUGATED TUBE OF 6mm	1670328-1
CLIP 1.5 SENSOR 11 DORE Section 0.75 à 1mm² RECEPTACLE 1.5 SENSOR 11 GOLD PLATED Section 0.75 to 1mm²	POUR GAINÉ ANNELEE DE 6mm FOR CORRUGATED TUBE OF 6mm	1670326-1
CLIP 1.5 SENSOR 11 DORE Section 0.35 à 0.5mm² RECEPTACLE 1.5 SENSOR 11 GOLD PLATED Section 0.35 to 0.5mm²	POUR GAINÉ ANNELEE DE 6mm FOR CORRUGATED TUBE OF 6mm	1564724-1
OBTURATEUR "MINI-ETANCHE" "MINI-ETANCHE" PLUGGING PIN		
PORTE-LANGUETTES 3 VOIES HP 3 WAYS TAB CONNECTOR HP		1801177-X

(*) : POUR LE CAPOT ROTATIF, PRENDRE : SUPPORT + CAPOT FOR THE ROTATIVE COVER, TAKE: ADAPTER + COVER

COULEUR COLOR	MATIERE MATERIAL	DESCRIPTION TITLE	REP. ITEM
JAUNE YELLOW	ACIER INOX STAINLESS STEEL	RESSORT (x2) SPRING (x2)	7
VERT GREEN	PA66-GF30 (MATIERE: HB) (HB MATERIAL)	CHARIOT SPRING-LOCK SPRING-LOCK SLIDE	6
NOIR BLACK	SILICONE LUBRIFIE A 5% ; DURETE 30 SHORE A LUBRIFICATED SILICON TO 5% ; DURETE 30 SH. SH. A	JOINT GROMMET GROMMET SEAL	5
VERT GREEN	PBT-GF15 (MATIERE: HB) (HB MATERIAL)	GRILLE ARRIERE REAR GRID	4
VERT GREEN	SILICONE LUBRIFIE A 4% ; DURETE 50 SHORE A LUBRIFICATED SILICON TO 4% ; DURETE 50 SH. SH. A	JOINT INTERFACIAL INTERFACE SEAL	3
NOIR BLACK	PBT-GF15 (MATIERE: HB) (HB MATERIAL)	DOUBLE VERROUILLAGE COUAGE (VOIR TABLEAU DES REFS) SECONDARY LOCKING CODING (SEE TABLE OF PART NO.)	2
NOIR BLACK	PBT-GF15 (MATIERE: HB) (HB MATERIAL)	BOITIER PORTE-CLIPS RECEPTACLE HOUSING	1

THIS DRAWING IS A CONTROLLED DOCUMENT. OWN: JODON 15FEB2008. CHK: X. ROULLARD 15FEB2008. APVD: X. ROULLARD 15FEB2008. PRODUCT SPEC: 108-15378. APPLICATION SPEC: 411-15712. WEIGHT: 8.8g. CUSTOMER DRAWING.

TE Connectivity

3 WAYS RECEPTACLE CONNECTOR SL
PORTE-CLIPS 3 VOIES SL
SYSTEME A RESSORT

A100779 ©=1801179

SCALE 3:1 SHEET 1 OF 1 REV F

X-ON Electronics

Largest Supplier of Electrical and Electronic Components

Click to view similar products for [Automotive Connectors](#) category:

Click to view products by [TE Connectivity](#) manufacturer:

Other Similar products are found below :

[003-018-000](#) [60403001](#) [60993906-B](#) [M902-2131](#) [M902-2161](#) [72.330.1035.1](#) [73.353.4028.0](#) [F119300-B](#) [F166900](#) [F258300-B](#) [F358300-B](#)
[F407400](#) [F444110](#) [F487000](#) [F509500B-B](#) [827153-1](#) [8N1515-32-24P](#) [9-1326729-8](#) [925474-1](#) [928905-1](#) [964562-4](#) [968782-1](#) [GT17SA-8DS-](#)
[HU](#) [98891-1012](#) [98947-1016](#) [12004147](#) [12004475-L](#) [12010290](#) [12010309-B](#) [12015454](#) [12020219-B](#) [12020308](#) [12041318-B](#) [12052225-L](#)
[12052466](#) [12059125](#) [12064869](#) [12004327-B](#) [12010503-B](#) [12015308](#) [12015384](#) [12015909](#) [1-21030-1](#) [12041254](#) [12041318](#) [12047946-B](#)
[12047957](#) [12047957-L](#) [12059473](#) [12066261](#)