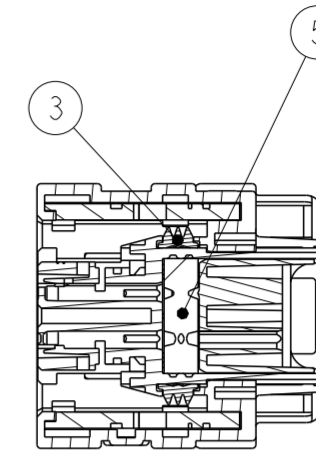
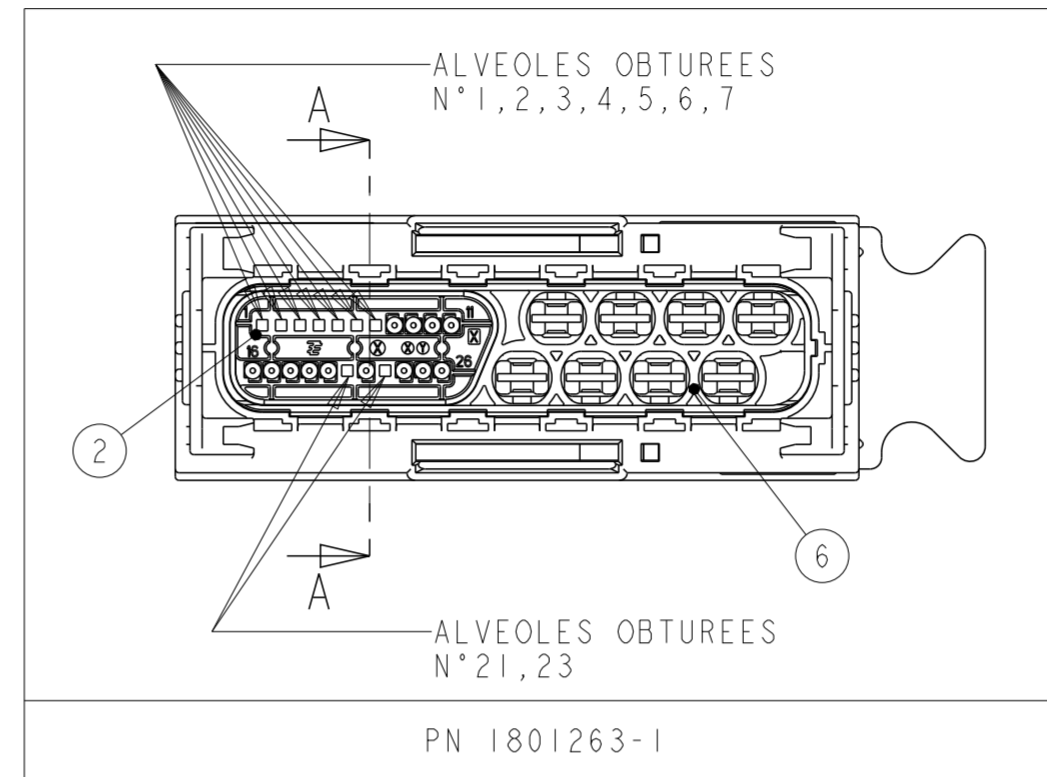
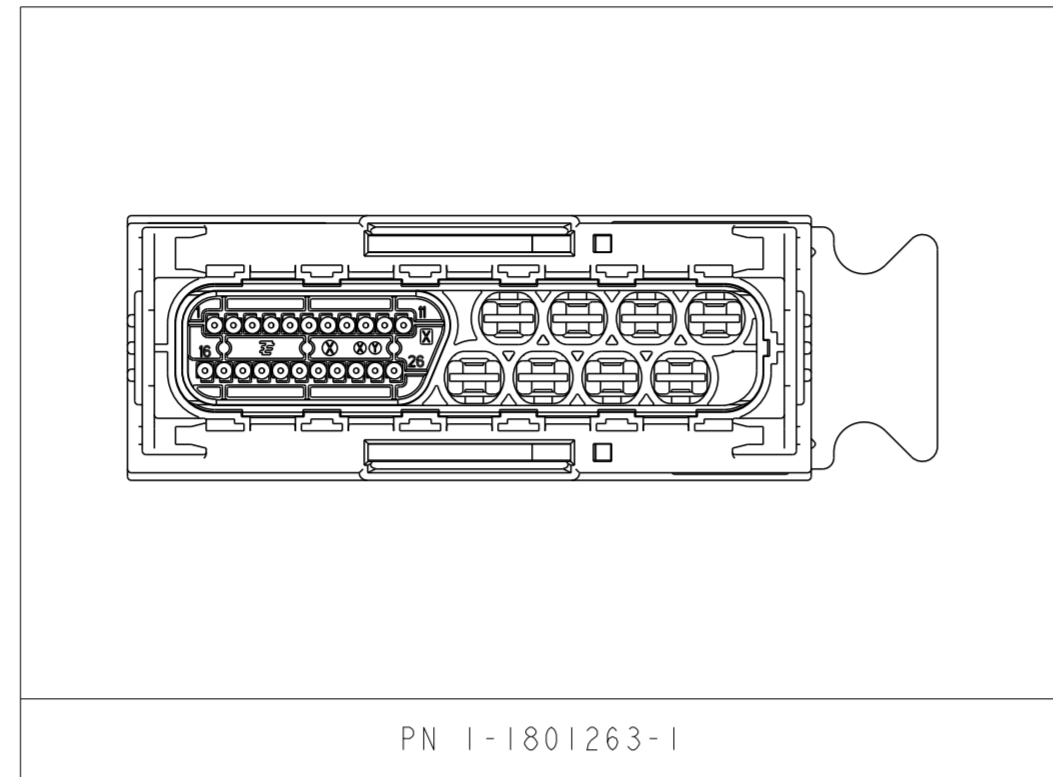
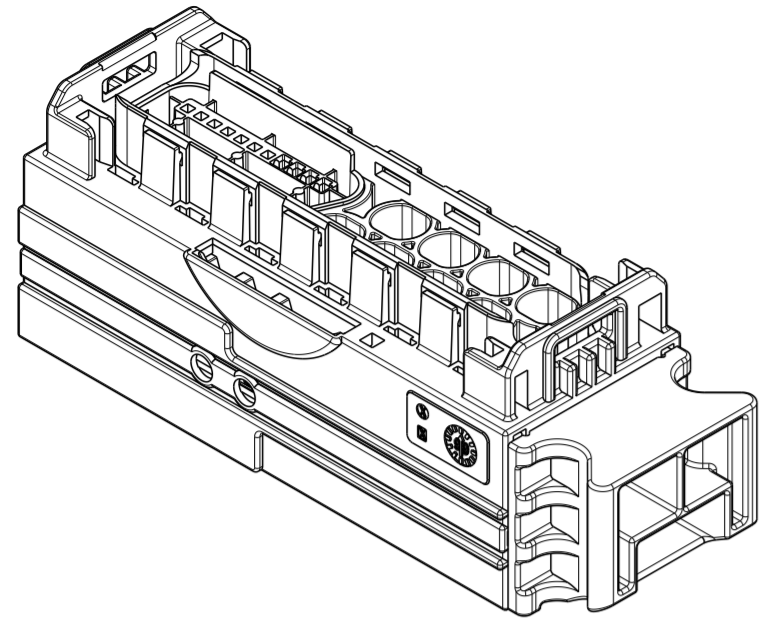


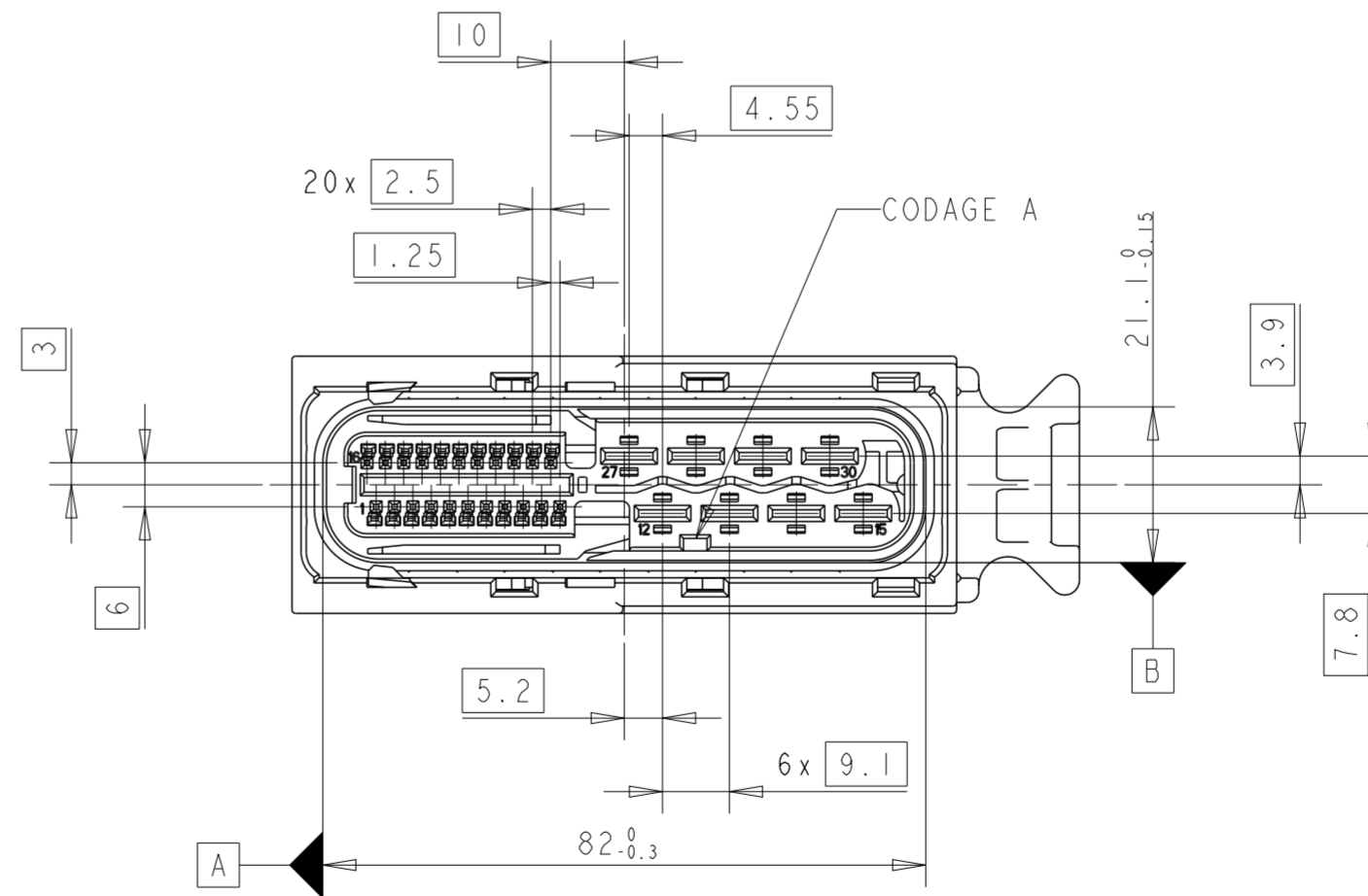
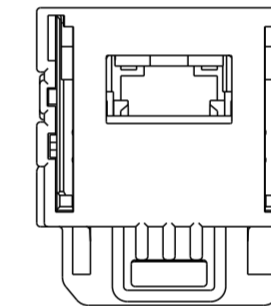
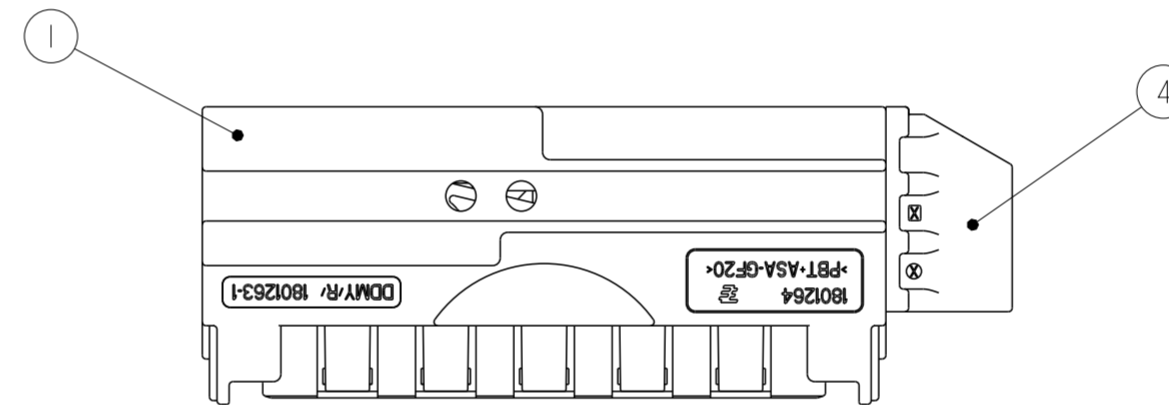
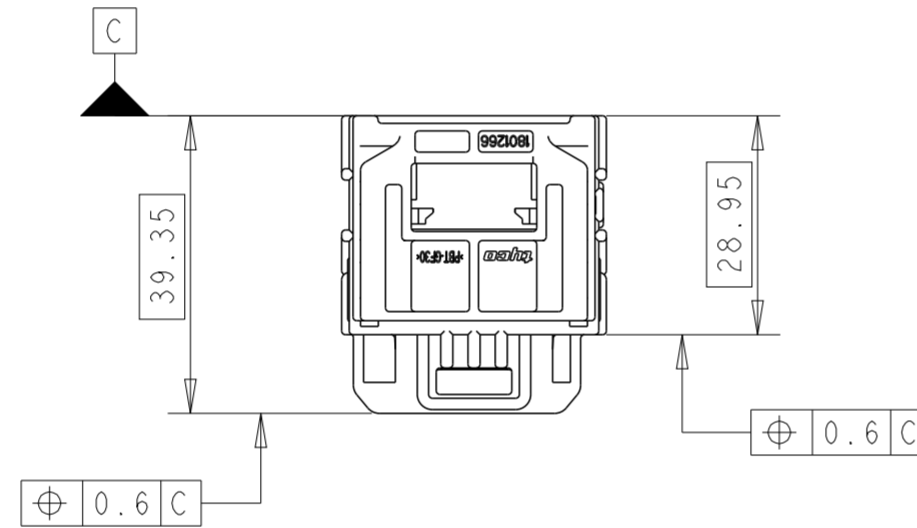
THIS DRAWING IS UNPUBLISHED. RELEASED FOR PUBLICATION 20  
 © COPYRIGHT 20 BY - ALL RIGHTS RESERVED.

LOC F DIST 00

REVISIONS					
P	LTR	DESCRIPTION	DATE	DWN	APVD
E		DUAL SOURCING FOR THE GROMMET	25MAR2014	DB	JPP
F		SUPPRESS ORANGE VERSION OF GROMMET	22FEB2016	DB	XR
G		ADDED OPTIONAL PERMISSIBLE DESIGN	17JUL2018	ASB	GKT
H		OPTIONAL DESIGN PERMISSIBLE IN SHEET 2 ZONE A1	31MAY2019	ASB	GKT



COUPE A - A



I	I	BLACK	PBT GF 10%	RECEPTACLE HOUSING CODE A following INTERFACE RENAULT 8200 668 851	6
I	I	LIGHT BLUE	SILICON	GROMMET	5
I	I	BLACK	PBT GF 30%	SLIDE	4
I	I	ORANGE	SILICON	INTERFACIAL SEAL	3
I	-	GREEN	PBT GF 10%	MQS REAR RECEPTACLE HOUSING WITH ALL CAVITIES FREE	2
-	I	BROWN	PBT GF 10%	MQS REAR RECEPTACLE HOUSING WITH BLOCKED UP CAVITIES N°1,2,3,4,5,6,7,21,23	2
I	I	BLACK	PBT/ASA GF 20%	UPPER RECEPTACLE HOUSING	1
QTY	QTY	COLOR	MATERIAL	DESIGNATION	ITEM

X-1801263-X	
I-I	-I
C	C
PART REVISION CODE	

THIS DRAWING IS A CONTROLLED DOCUMENT.

DIMENSIONS:	TOLERANCES UNLESS OTHERWISE SPECIFIED:	DWN D. BANCE 15JAN2007	 TE Connectivity
mm	0 PLC ±0.2	CHK JP. PICAUD 15JAN2007	
	1 PLC ±0.2	APVD JJ. REVIL 15JAN2007	
	2 PLC ±0.2	PRODUCT SPEC 108-15379	
	3 PLC ±0.2	APPLICATION SPEC 411-15729	NAME CONNECTEUR 30 VOIES
	4 PLC ±0.2	WEIGHT 79 grs	30 WAY RECEPTACLE HOUSING ASSY
MATERIAL	FINISH	Customer Drawing	SIZE CAGE CODE DRAWING NO RESTRICTED TO
SEE TABLE			A200779 C-1801263
			SCALE 1:1 SHEET 1 OF 2 REV H

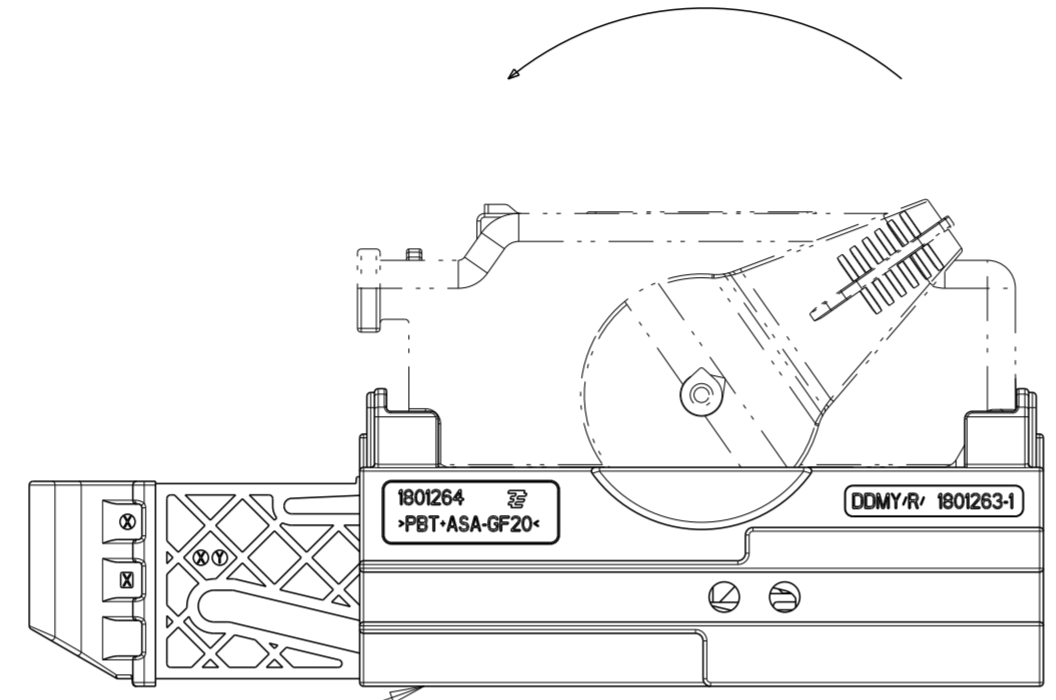
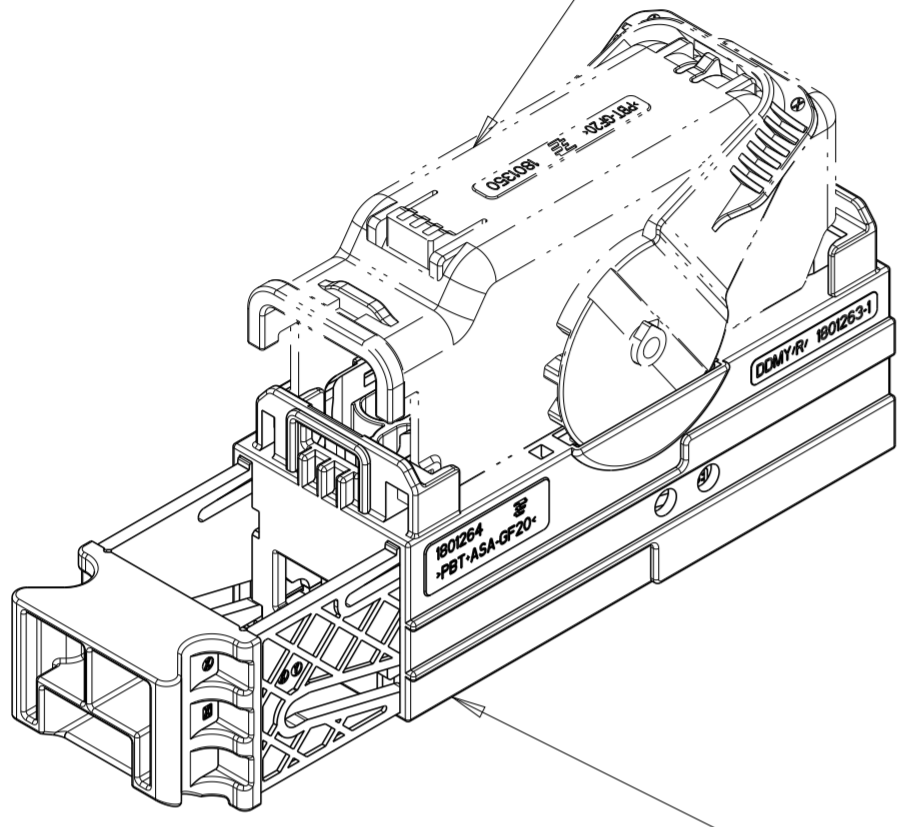
THIS DRAWING IS UNPUBLISHED. RELEASED FOR PUBLICATION 20  
 © COPYRIGHT 20 BY - ALL RIGHTS RESERVED.

LOC	DIST	REVISIONS			
P	LTR	DESCRIPTION	DATE	DWN	APVD
F	00	SEE SHEET 1	-	-	-

POSITION DE LIVRAISON DU CABLEUR

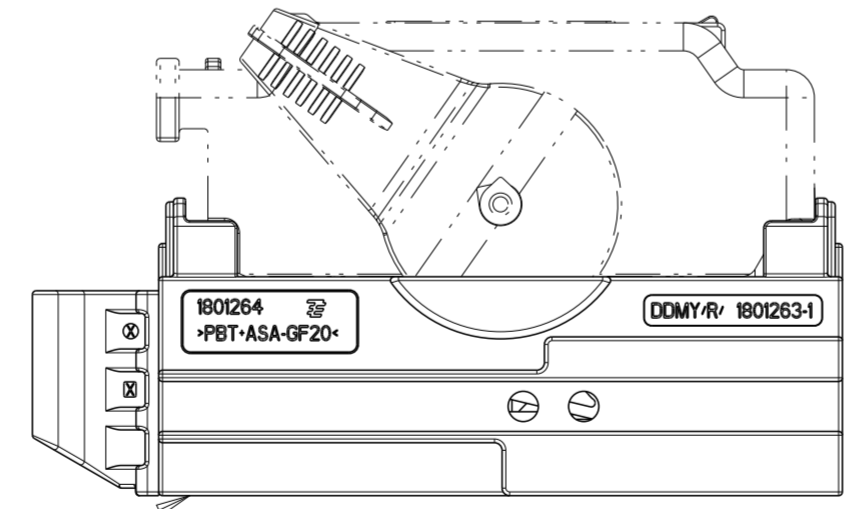
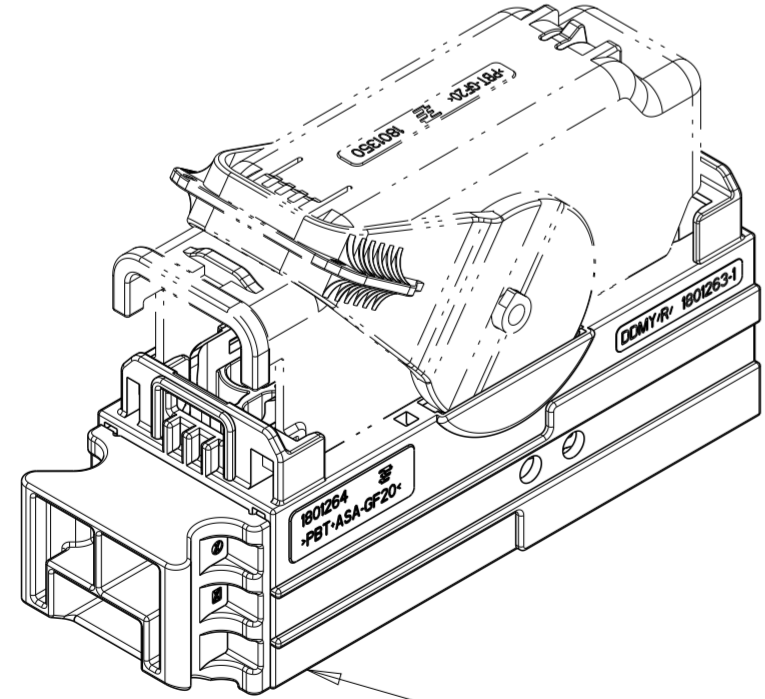
COMPOSANT ASSOCIE  
CAPOT REFERENCE 1801269-1

MOUVEMENT DU LEVIER  
POUR ACCOUPLEMENT



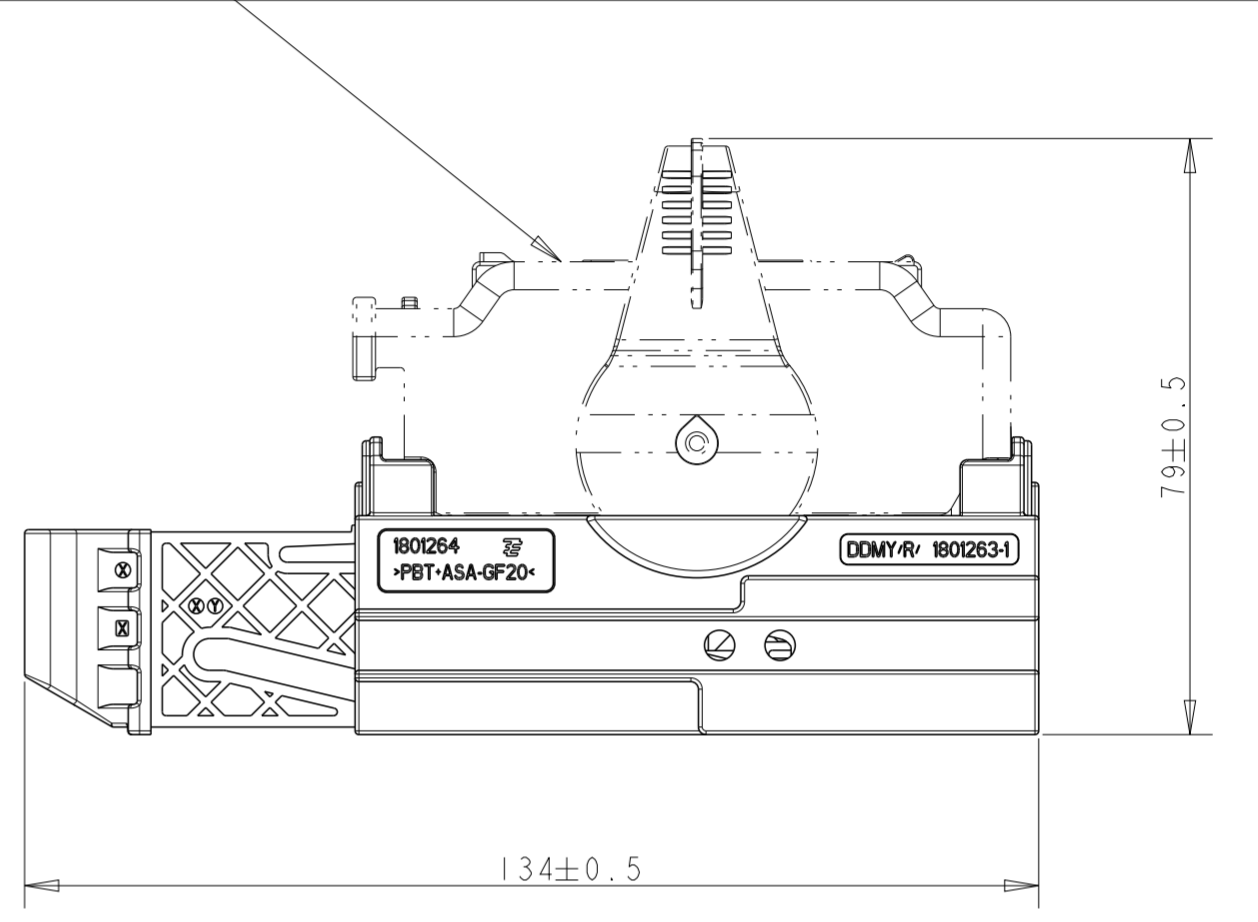
ALVEOLES N°15 et N°30

POSITION ACCOUPLEE



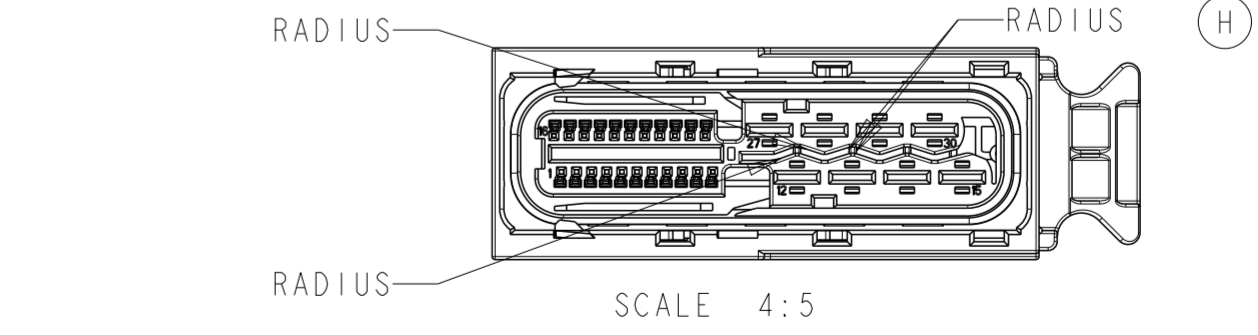
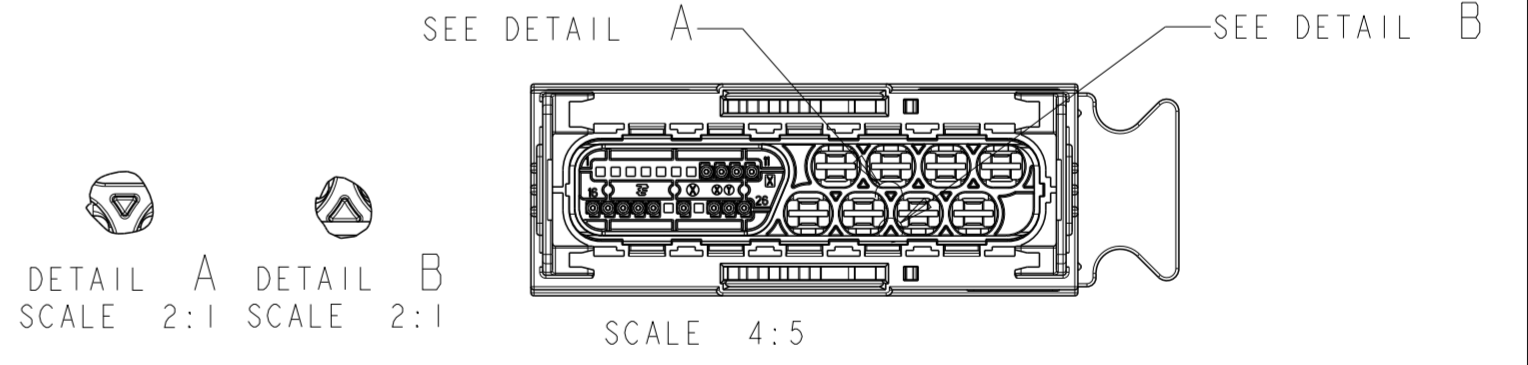
ALVEOLES N°15 et N°30

COMPOSANT ASSOCIE  
CAPOT REFERENCE 1801269-1



ENCOMBREMENT MAXIMAL

OPTIONAL DESIGN PERMISSIBLE



THIS DRAWING IS A CONTROLLED DOCUMENT.		DWN D_BANCE	15JAN2007	 TE Connectivity	NAME CONNECTEUR 30 VOIES 30 WAY RECEPTACLE HOUSING ASSY
DIMENSIONS: mm		CHK JP_PICAUD	15JAN2007		
TOLERANCES UNLESS OTHERWISE SPECIFIED:		APVD JJ_REVIL	15JAN2007		
0 PLC ±0.2 1 PLC ±0.2 2 PLC ±0.2 3 PLC ±0.2 4 PLC ±0.2 ANGLES ±5° FINISH		PRODUCT SPEC 108-15379	APPLICATION SPEC 411-15729		
MATERIAL SEE TABLE		WEIGHT 79 grs	Customer Drawing	SIZE A2	CAGE CODE 00779
		DRAWING NO C-1801263		RESTRICTED TO	
		SCALE 1:1		SHEET 2	OF 2
				REV H	

## X-ON Electronics

Largest Supplier of Electrical and Electronic Components

*Click to view similar products for [Automotive Connectors](#) category:*

*Click to view products by [TE Connectivity](#) manufacturer:*

Other Similar products are found below :

[003-018-000](#) [60993906-B](#) [M902-2131](#) [M902-2161](#) [M902-2344](#) [72.330.1035.1](#) [73.353.4028.0](#) [F166900](#) [F358300-B](#) [F407400](#) [776880-1](#)  
[827153-1](#) [8N1515-32-24P](#) [9-1326729-8](#) [925474-1](#) [928905-1](#) [964562-4](#) [968782-1](#) [98891-1012](#) [12004475-L](#) [12020308](#) [12041318-B](#)  
[12052466](#) [12064869](#) [12015909](#) [1-21030-1](#) [12041254](#) [12041318](#) [12047946-B](#) [12110546-B](#) [12131792](#) [12084688](#) [12092346](#) [HD34-18-14PT](#)  
[HD46-24-23SN-059](#) [HDB36-24-16PN-059](#) [HDP26-24-9SE-L015](#) [12185280](#) [12185550](#) [12336-12](#) [12191172-B](#) [12S](#) [13545280](#) [13577943](#)  
[13681974](#) [13737722-B](#) [13830674](#) [13832576](#) [13849772](#) [13542772](#)