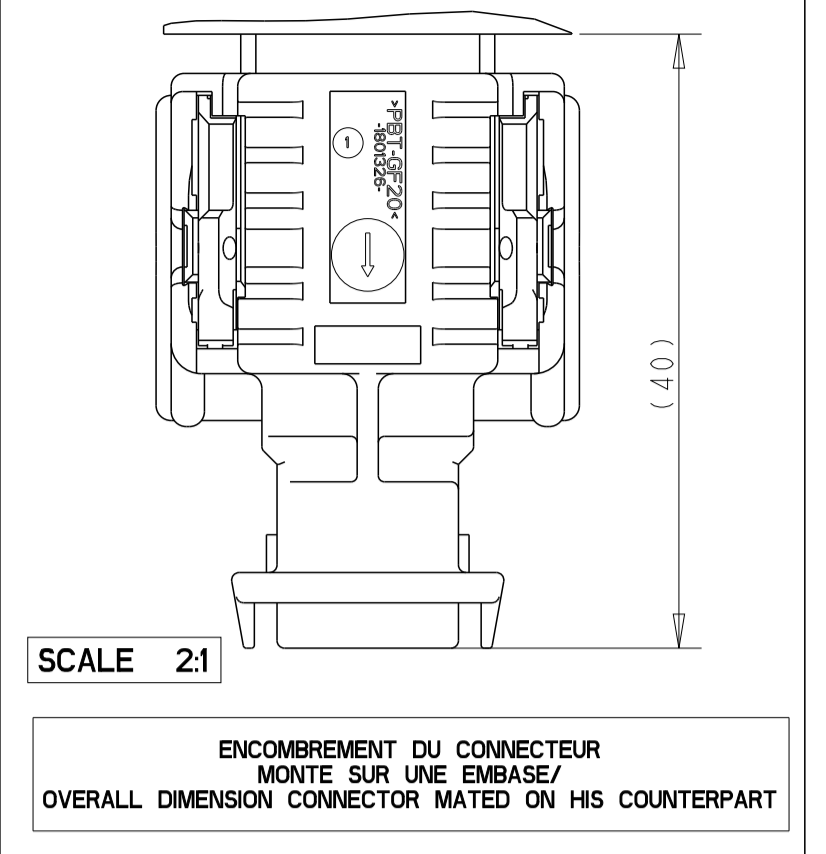
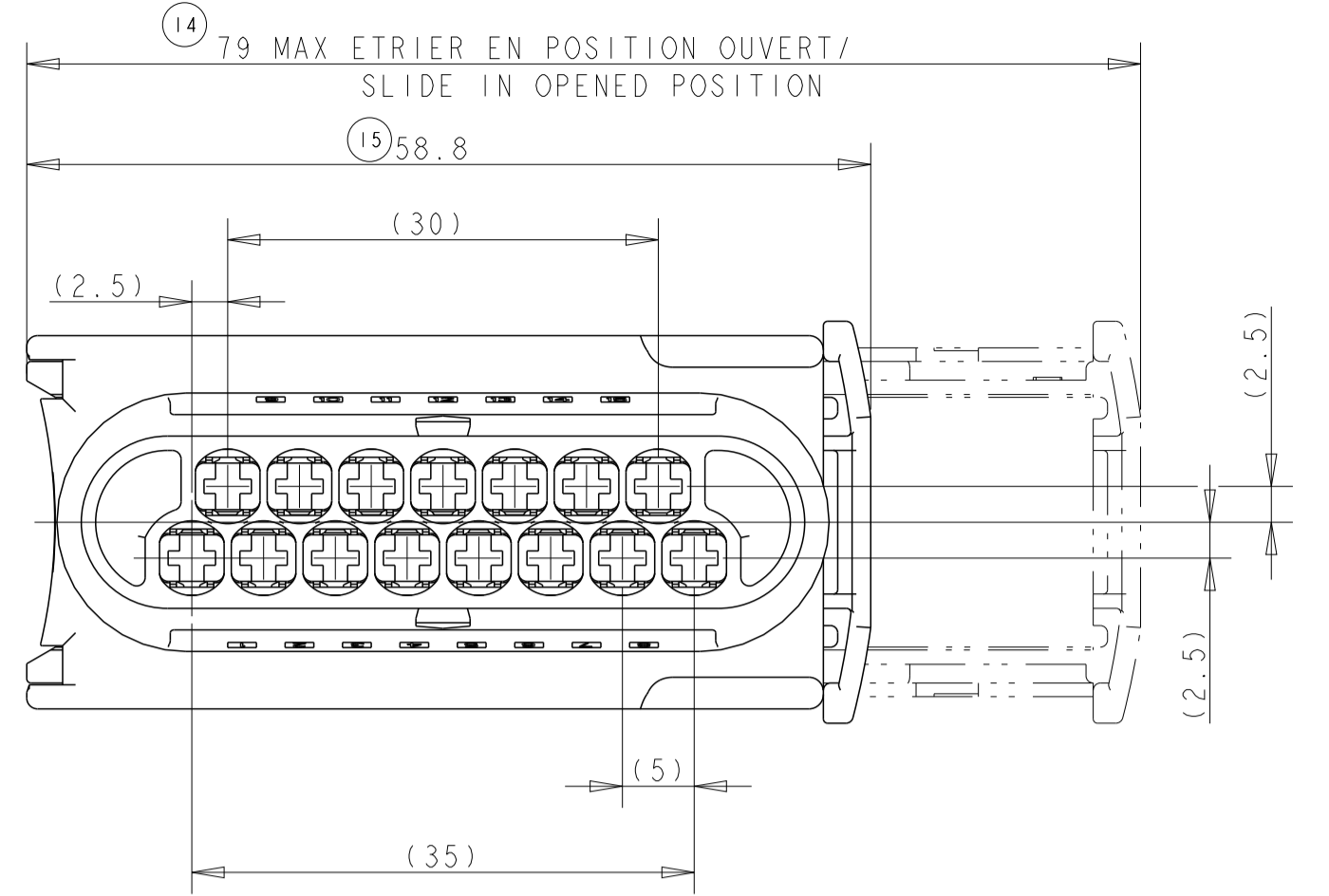
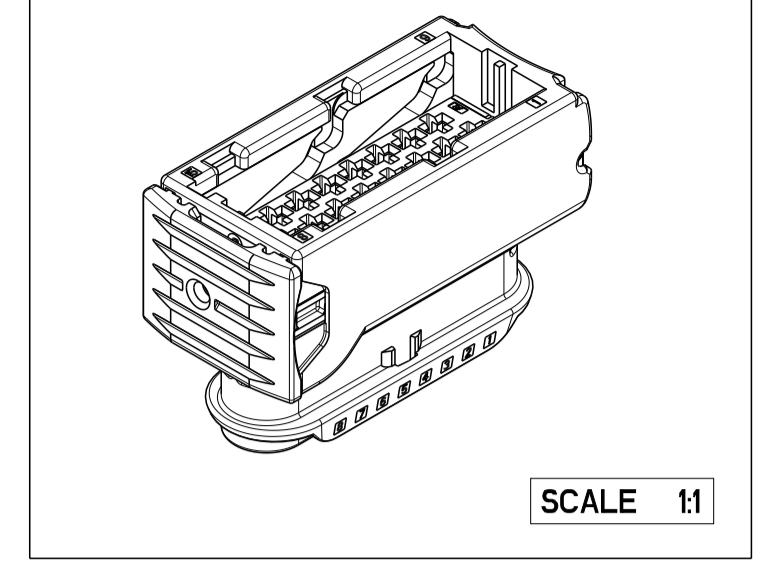
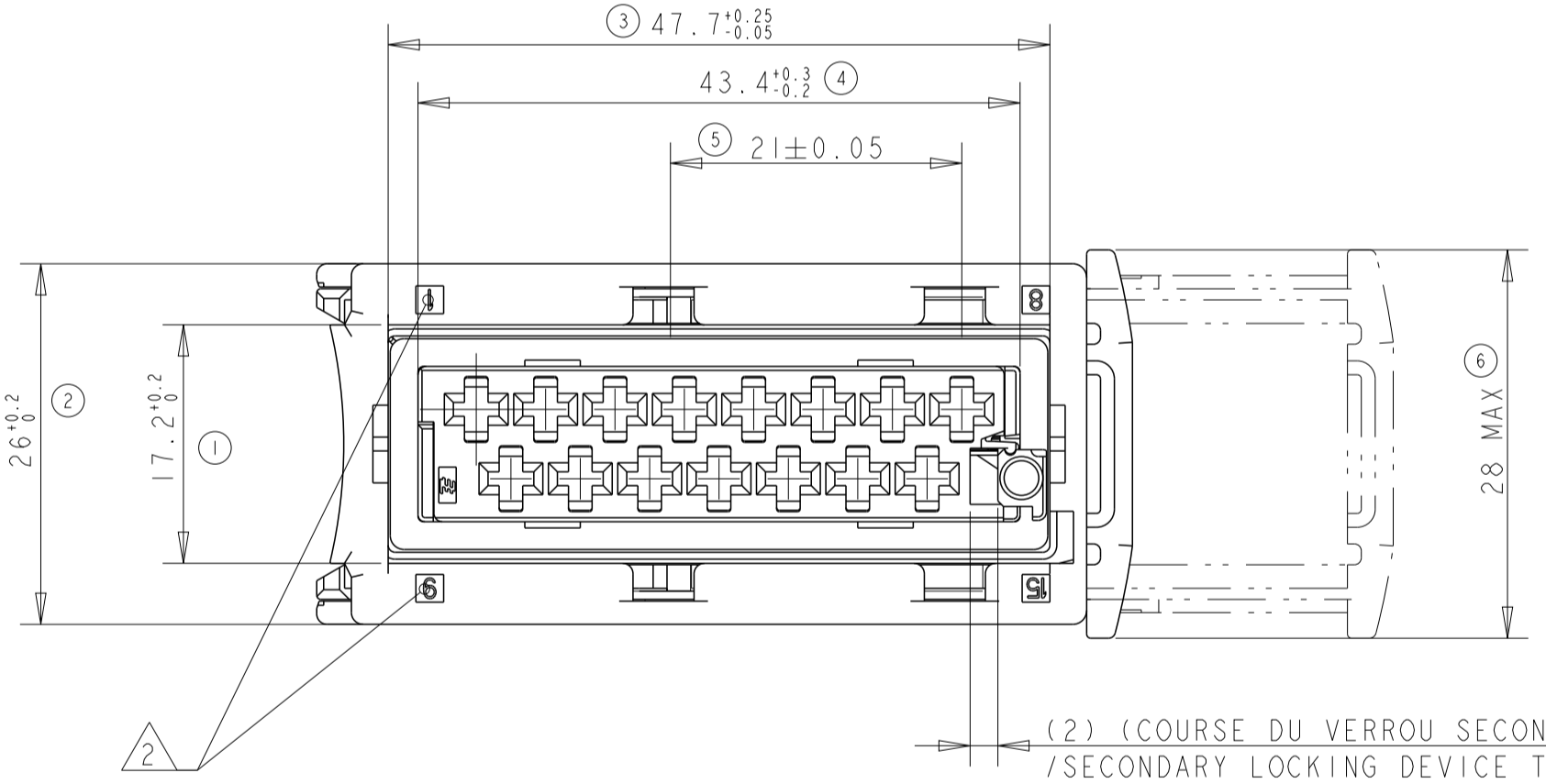
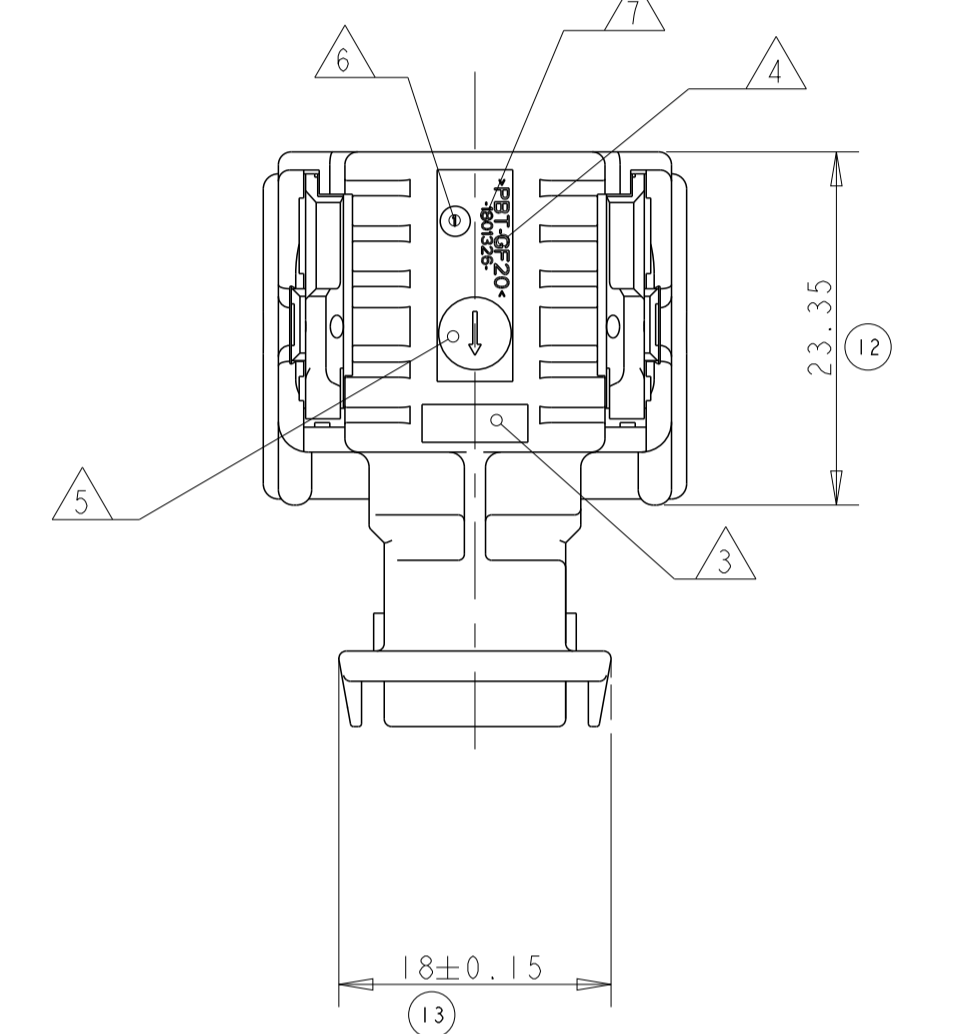
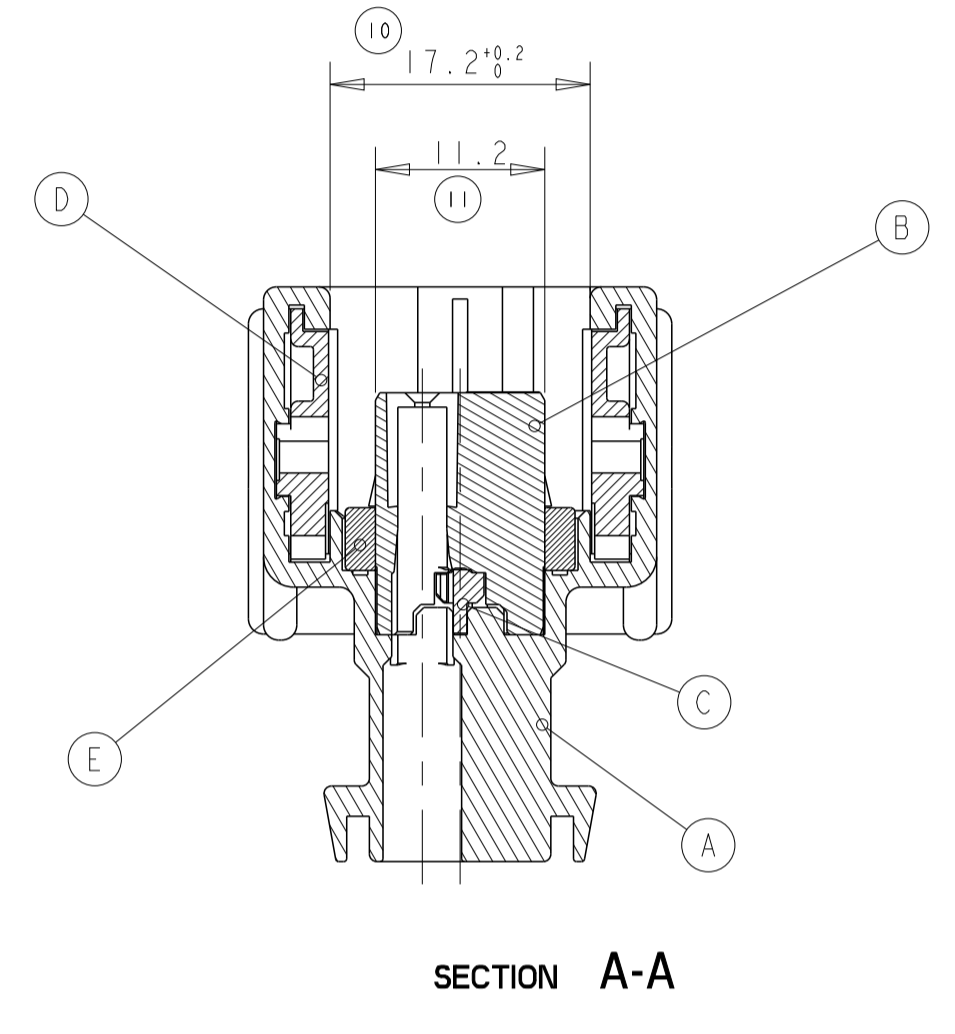
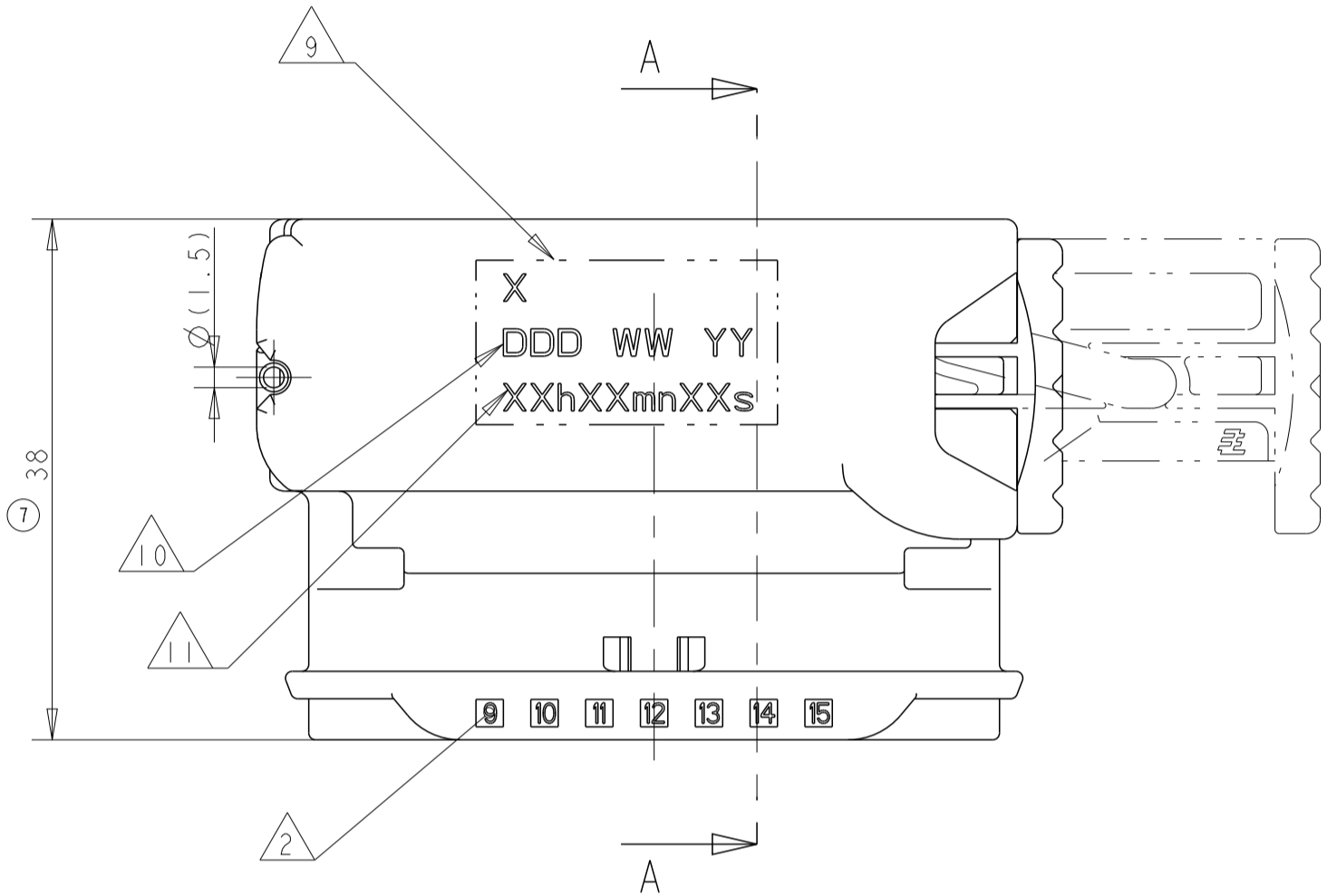
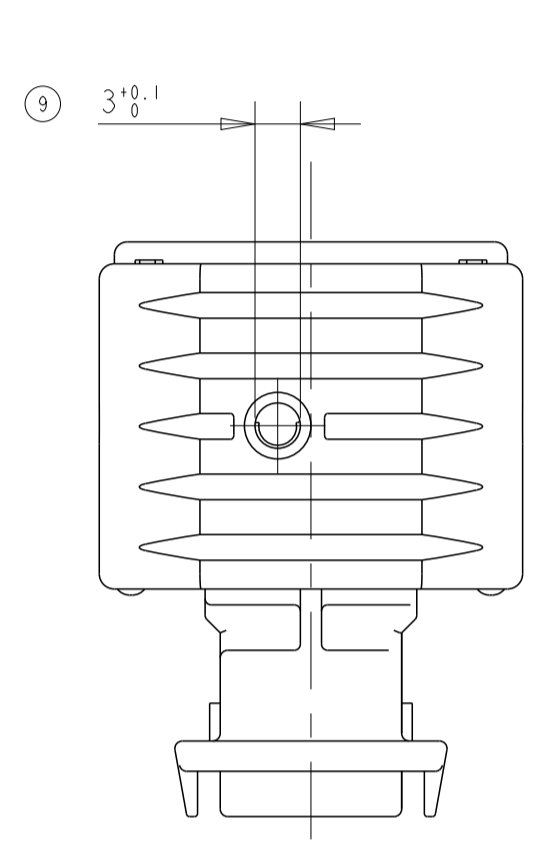


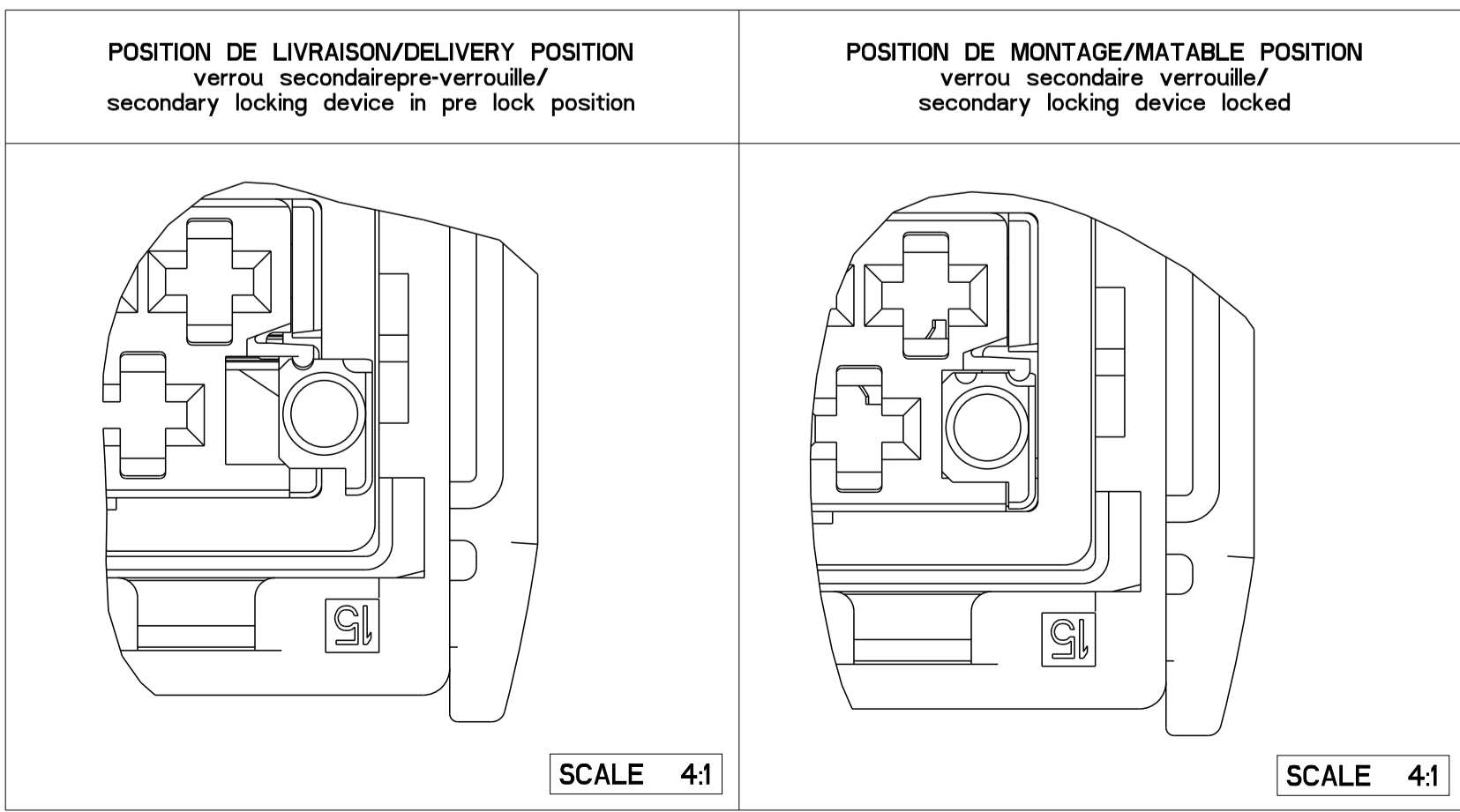
| PN TE | SCALE 1:1 |
|---------------------------|-----------|
| 1801326-1 NOIR/BLACK | |
| 1801326-X BLANC/WHITE | |
| 1801326-3 GRIS/GRAY | |
| 1801326-4 VERT/GREEN | |
| 1801326-5 MARRON/BROWN | |
| 1801326-6 VIOLET | |



| REVISIONS | | | | |
|-----------|-----|---------------------------|-----------|-------|
| P | REV | DESCRIPTION MODIFICATIONS | DATE | APPV |
| | A | INITIAL RELEASE | 07MAR2018 | OP XR |



| | | | |
|-----|--|--------------------|---------|
| E | JOINT/GASKET | SILICONE | 1 |
| D | ETRIER/SLIDE | PBT 15% FV/GF | 1 |
| C | VERROU SECONDAIRE/SECONDARY LOCKING DEVICE | PBT 30% FV/GF | 1 |
| B | MODULE FACE AVANT/FRONT FACE MODULE | PBT 20% FV/GF | 1 |
| A | BOITIER/HOUSING | PBT 20% FV/GF | 1 |
| Rep | DESIGNATION | MATERIAUX/MATERIAL | QTE/QTY |



NOTE:

- 1 1801326-1 : REPRESENTE / AS SHOWN
- 2 REPERE ALVEOLES /CAVITY NUMBER
- 3 LOGO TE / TE LOGO
- 4 MARQUAGE MATIERE / MATERIAL MARKING
- 5 DATEUR / DATE CODE
- 6 N° EMPREINTE / MOLD CAVITY NUMBER
- 7 REF TE / PN TE
- 8 ZONE POUR DATE D'ASSEMBLAGE / AREA FOR ASSY DATE CODE
- 9 DATE D'ASSEMBLAGE / ASSY DATE
- 10 HEURE D'ASSEMBLAGE / ASSY HOUR

| | | | | | | | | | | | | | |
|---|--|-----------------------------|--|---|--|--|--|-----------------------------|--|-----------------------------|--|--------------------------------|--|
| THIS DRAWING IS A CONTROLLED DOCUMENT. CE PLAN EST UN DOCUMENT CONTROLÉ PAR TE CONNECTIVITY. IT IS THE PROPERTY OF TE CONNECTIVITY. IT IS TO BE USED FOR THE PURPOSES SPECIFIED IN THE ORDER. IT IS NOT TO BE REPRODUCED OR TRANSMITTED IN ANY FORM OR BY ANY MEANS, ELECTRONIC OR MECHANICAL, WITHOUT THE WRITTEN PERMISSION OF TE CONNECTIVITY. ALL RIGHTS RESERVED. 2018 | | DIMENSIONS: mm | | TOLERANCES UNLESS OTHERWISE SPECIFIED: ±0.2 | | MATERIAL MATIERE: VOIR TABLEAU / SEE TABLE | | FINISH: *S* | | WEIGHT MASSE APPROX: 24 g | | CUSTOMER DRAWING / PLAN CLIENT | |
| DWG/REV: 06MAR2018 | | DWG/REV: 06MAR2018 | | DWG/REV: 06MAR2018 | | DWG/REV: 06MAR2018 | | DWG/REV: 06MAR2018 | | DWG/REV: 06MAR2018 | | DWG/REV: 06MAR2018 | |
| O. PAMART | | O. PAMART | | O. PAMART | | O. PAMART | | O. PAMART | | O. PAMART | | O. PAMART | |
| X. ROULLIARD | | X. ROULLIARD | | X. ROULLIARD | | X. ROULLIARD | | X. ROULLIARD | | X. ROULLIARD | | X. ROULLIARD | |
| APPROVED / DAHED | | APPROVED / DAHED | | APPROVED / DAHED | | APPROVED / DAHED | | APPROVED / DAHED | | APPROVED / DAHED | | APPROVED / DAHED | |
| PRODUCT SPEC: 411-15126 | | PRODUCT SPEC: 411-15126 | | PRODUCT SPEC: 411-15126 | | PRODUCT SPEC: 411-15126 | | PRODUCT SPEC: 411-15126 | | PRODUCT SPEC: 411-15126 | | PRODUCT SPEC: 411-15126 | |
| APPLICATION SPEC: 411-15126 | | APPLICATION SPEC: 411-15126 | | APPLICATION SPEC: 411-15126 | | APPLICATION SPEC: 411-15126 | | APPLICATION SPEC: 411-15126 | | APPLICATION SPEC: 411-15126 | | APPLICATION SPEC: 411-15126 | |
| CAGE CODE: 411-15126 | | CAGE CODE: 411-15126 | | CAGE CODE: 411-15126 | | CAGE CODE: 411-15126 | | CAGE CODE: 411-15126 | | CAGE CODE: 411-15126 | | CAGE CODE: 411-15126 | |
| DRAWING NO: 411-15126 | | DRAWING NO: 411-15126 | | DRAWING NO: 411-15126 | | DRAWING NO: 411-15126 | | DRAWING NO: 411-15126 | | DRAWING NO: 411-15126 | | DRAWING NO: 411-15126 | |
| SCALE: 2:1 | | SCALE: 2:1 | | SCALE: 2:1 | | SCALE: 2:1 | | SCALE: 2:1 | | SCALE: 2:1 | | SCALE: 2:1 | |
| SHEET: 1 | | SHEET: 1 | | SHEET: 1 | | SHEET: 1 | | SHEET: 1 | | SHEET: 1 | | SHEET: 1 | |
| REV: A | | REV: A | | REV: A | | REV: A | | REV: A | | REV: A | | REV: A | |

X-ON Electronics

Largest Supplier of Electrical and Electronic Components

Click to view similar products for [Automotive Connectors](#) category:

Click to view products by [TE Connectivity](#) manufacturer:

Other Similar products are found below :

[003-018-000](#) [60403001](#) [60993906-B](#) [M902-2131](#) [M902-2161](#) [M902-2344](#) [72.330.1035.1](#) [73.353.4028.0](#) [F119300-B](#) [F166900](#) [F258300-B](#)
[F358300-B](#) [F407400](#) [F444110](#) [F487000](#) [F509500B-B](#) [827153-1](#) [8N1515-32-24P](#) [9-1326729-8](#) [925474-1](#) [928905-1](#) [964562-4](#) [968782-1](#)
[GT17SA-8DS-HU](#) [98891-1012](#) [98947-1016](#) [12004147](#) [12004475-L](#) [12010290](#) [12010309-B](#) [12015454](#) [12020219-B](#) [12041318-B](#) [12052225-](#)
[L](#) [12052466](#) [12064869](#) [12004327-B](#) [12015308](#) [12015384](#) [12015909](#) [1-21030-1](#) [12041254](#) [12041318](#) [12047946-B](#) [12047957](#) [12047957-L](#)
[12059473](#) [12066261](#) [12110546](#) [12110546-B](#)