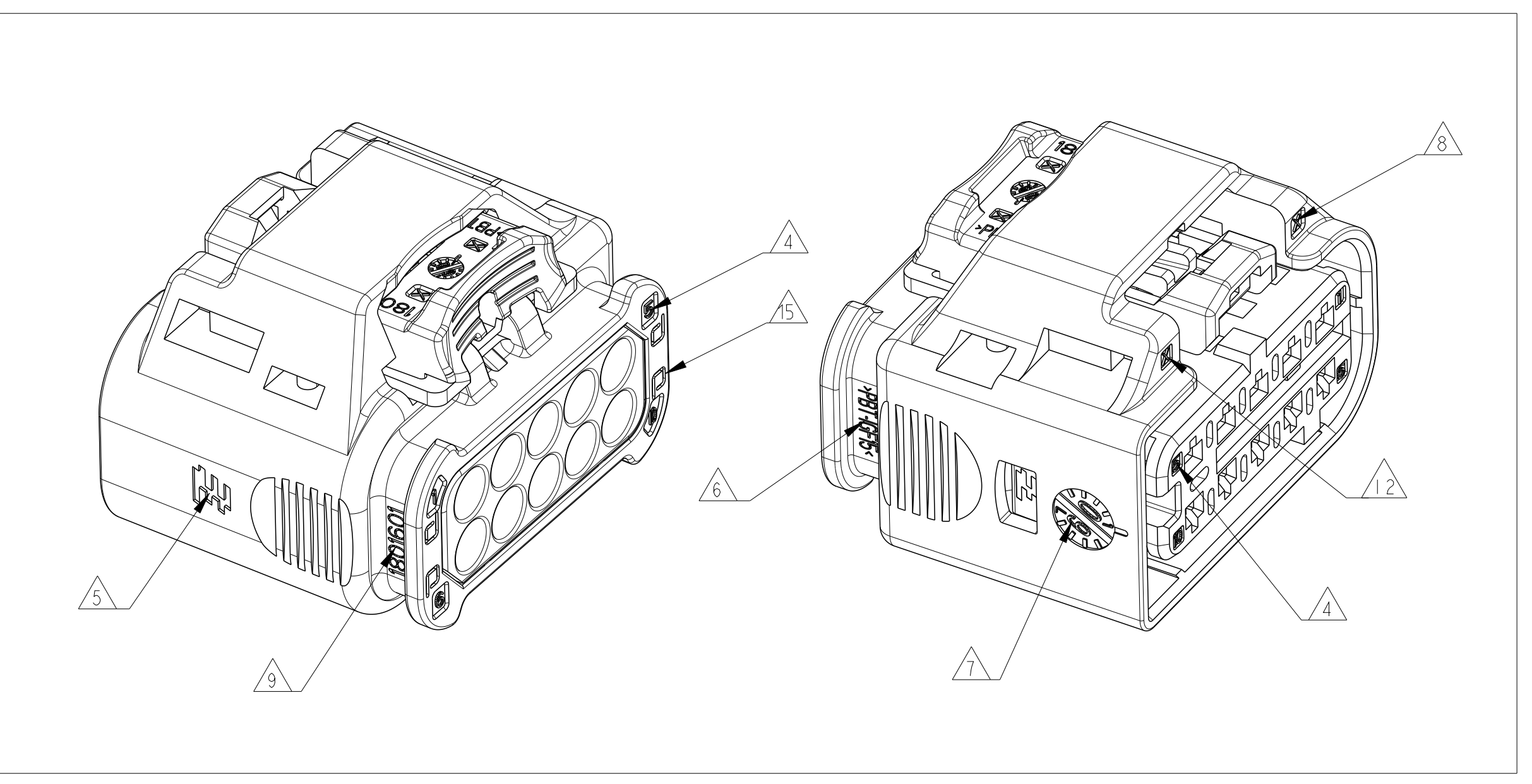
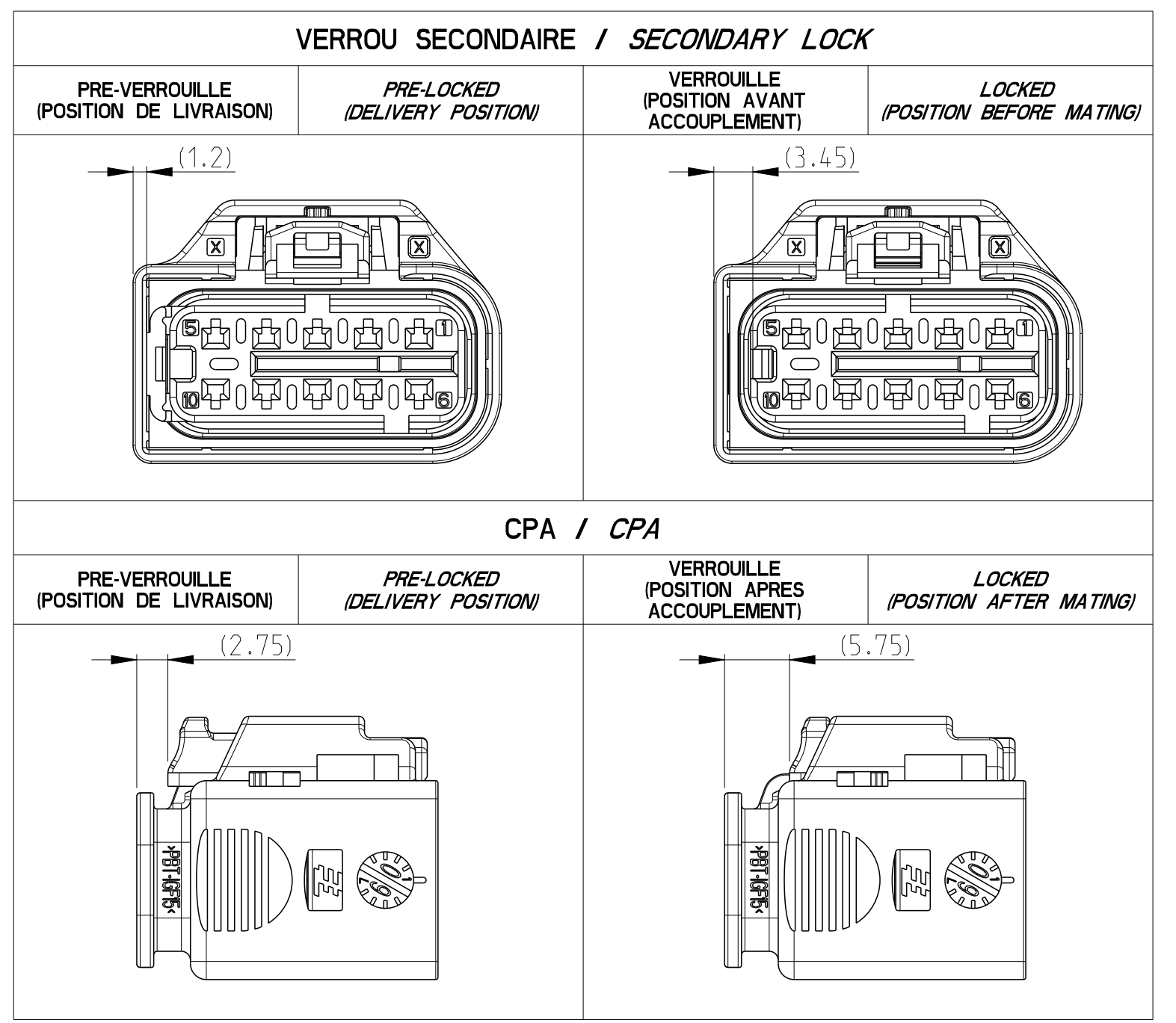


REV	DESCRIPTION	DATE	BY	APP
F	00			
C	ADD NUMBER OF PACKAGING SPECIFICATION	06/09/2010	DB	KR
D	SWS 963142-1 SUPERSEDED BY 963142-3	14/02/2012	DB	KR
E	ADD NEW PART NUMBER 1-1801600-7	20/01/2016	DB	KR
F	CHANGED SEAL MATERIAL INFORMATION	09/08/2018	ASB	GKT

REF. TE TE PART	REVISION REV	PRODUIT PART	CODAGE CODING	COULEUR COLOR	CODAGE KEYING
1801600-1	B	A		NOIR BLACK	
1801600-2	B	B		GRIS GRAY	
1801600-3	B	C		BLU BLUE	
1801600-4	B	D		VERT GREEN	
1801600-5	B	E		ORANGE RED	
1801600-6	B		PAS DE CODAGE NO KEYING	VIOLET VIOLET	
1-1801600-7	B	A		MARON BROWN	VERSION 4 VOIES 6 VOIES OBSTRUÉES (N°2,3,5,6,8,9) 4 WAYS VERSION 6 WAYS BLINDED (N°2,3,5,6,8,9)

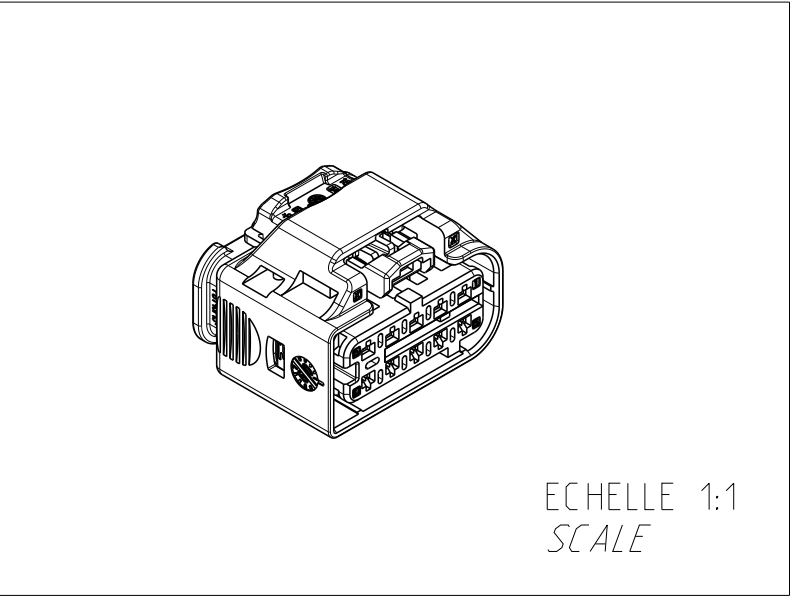
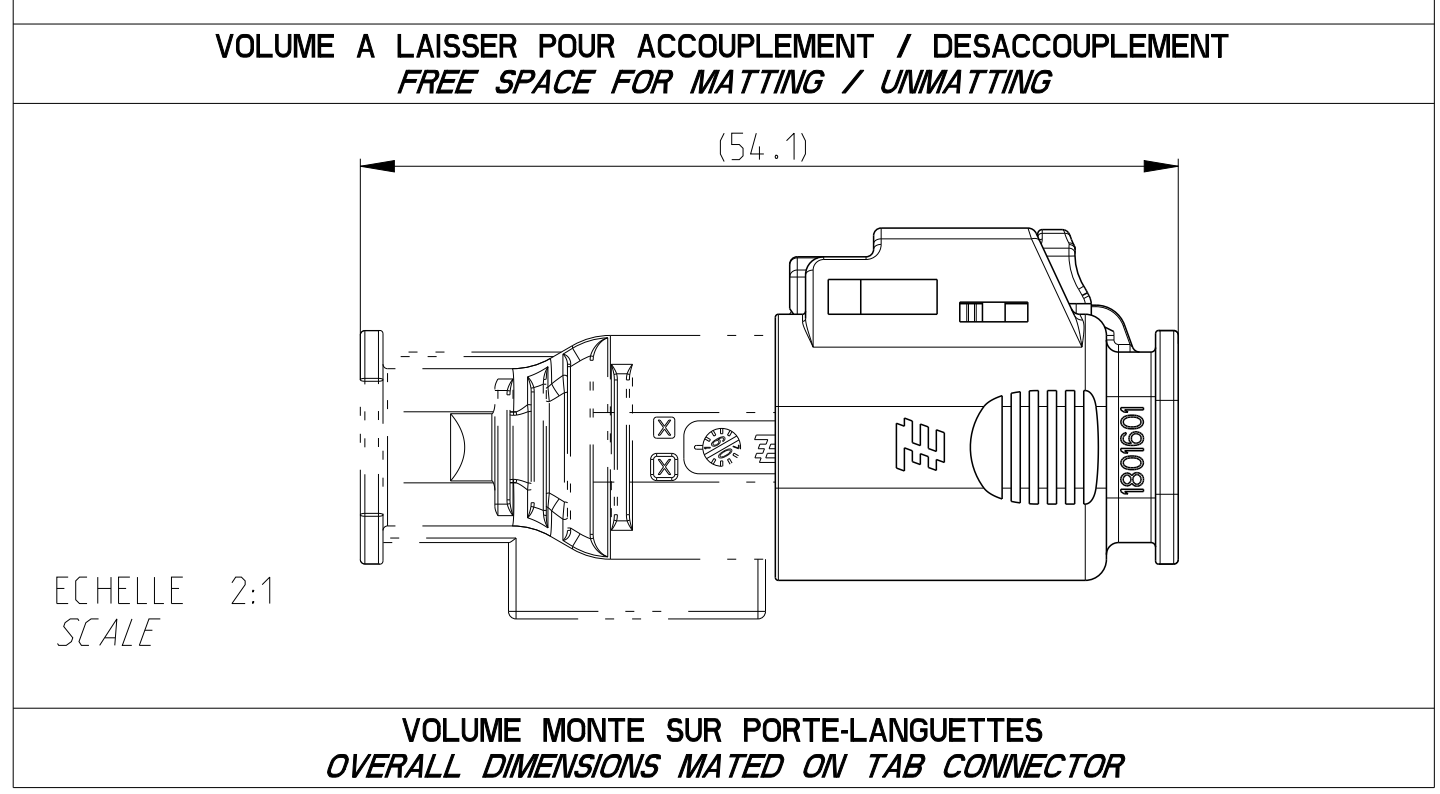
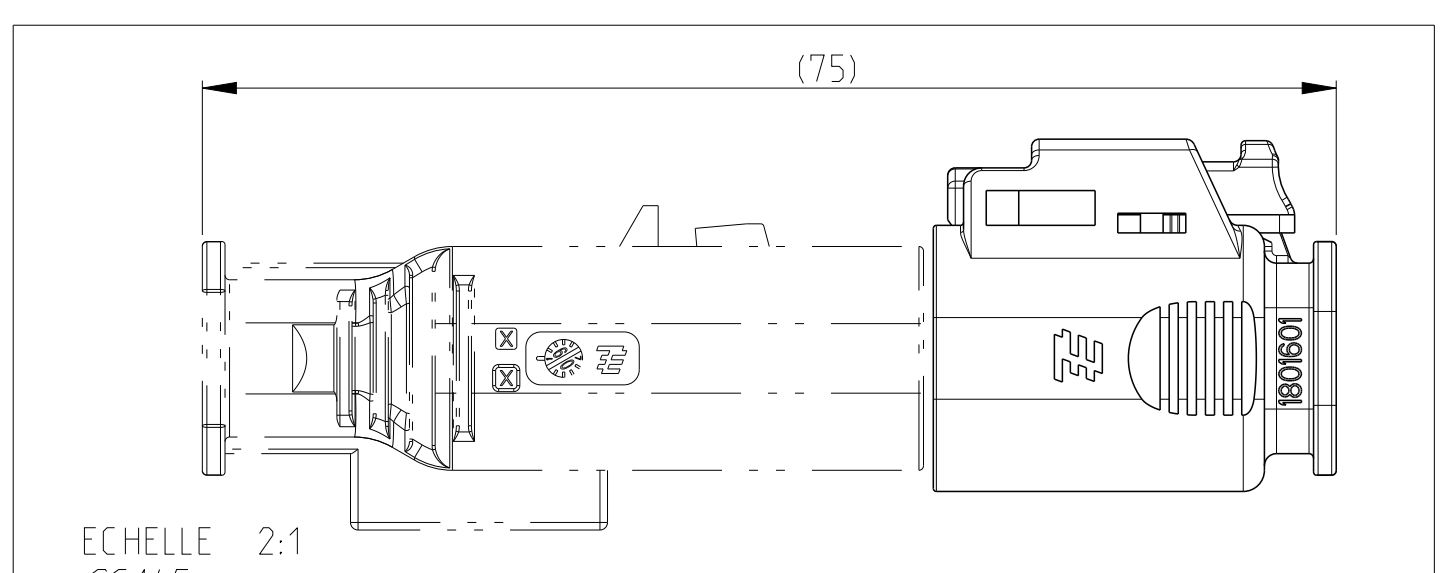
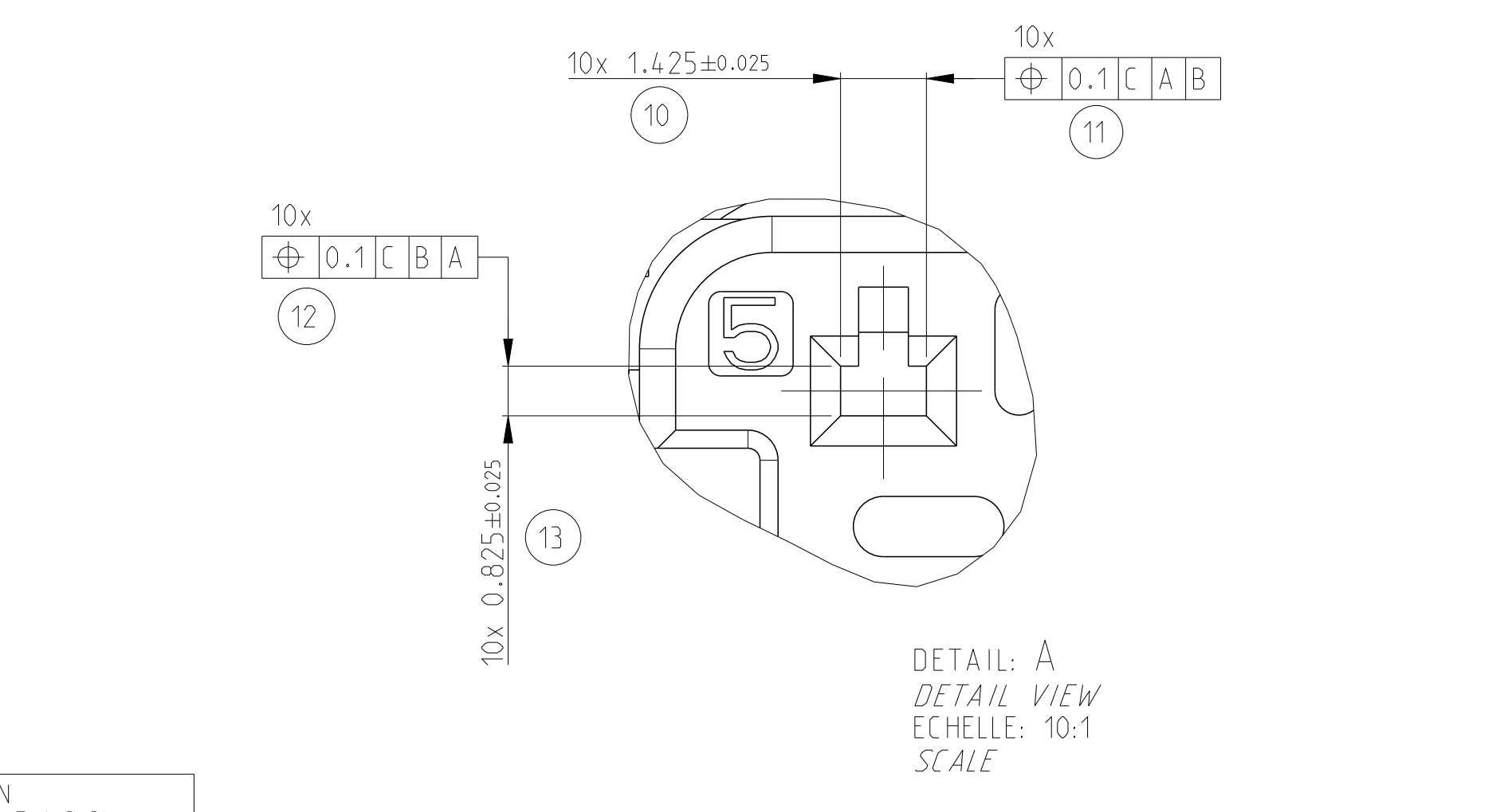
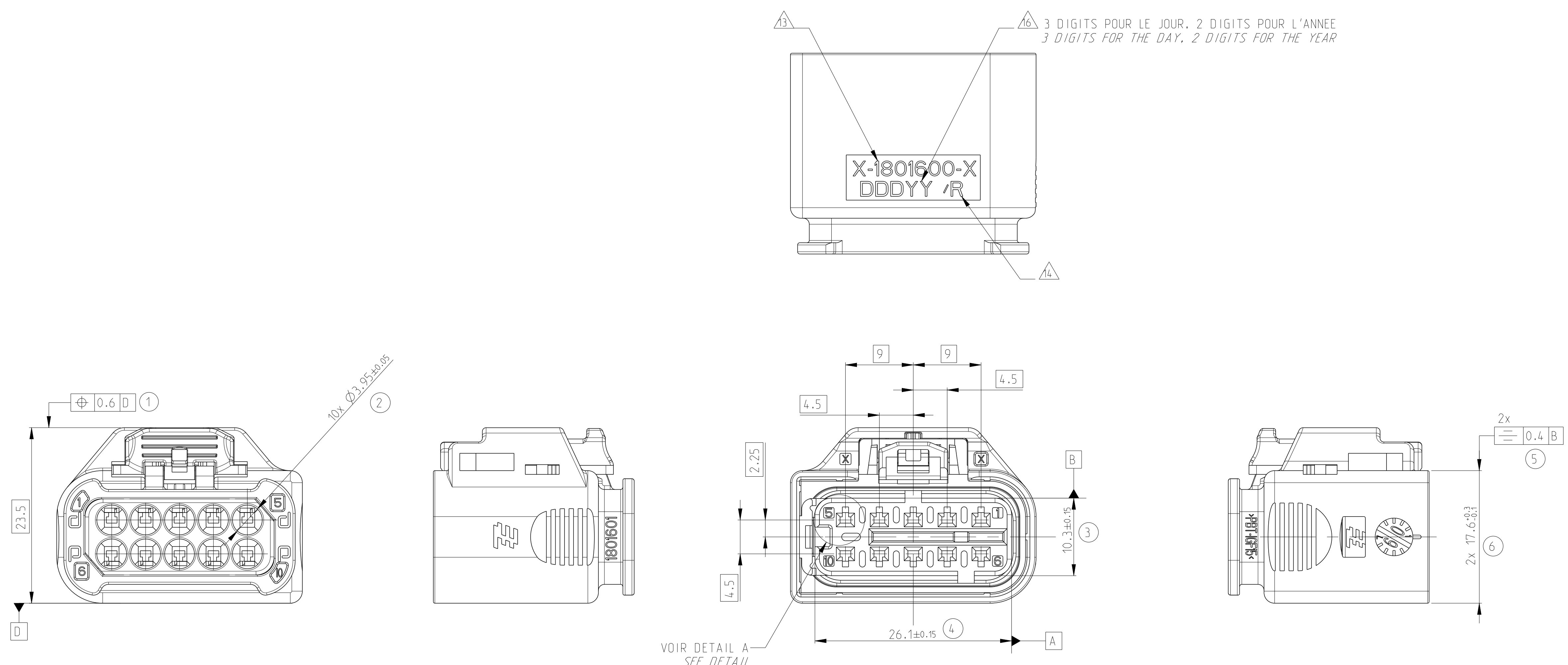


COMPOSANTS ASSOCIES (APPLIED COMPONENTS)

REFERENCE TE TE PART NUMBER	DESIGNATION DESCRIPTION	FINITION FINISH	REMARQUE NOTE
1452665-1	CONTACT / CONTACT	ETAME / TIN PLATED	CLIP MCON (MCON CONTACT) 0.25 A 0.35 MM ² (S0MM)
1452665-2	CONTACT / CONTACT	DORE / GOLD PLATED	CLIP MCON (MCON CONTACT) 0.25 A 0.35 MM ² (S0MM)
1452665-3	CONTACT / CONTACT	ARGENTE / SILVER PLATED	CLIP MCON (MCON CONTACT) 0.25 A 0.35 MM ² (S0MM)
1452668-1	CONTACT / CONTACT	ETAME / TIN PLATED	CLIP MCON (MCON CONTACT) 0.5 A 0.75 MM ² (S0MM)
1452668-2	CONTACT / CONTACT	DORE / GOLD PLATED	CLIP MCON (MCON CONTACT) 0.5 A 0.75 MM ² (S0MM)
1452668-3	CONTACT / CONTACT	ARGENTE / SILVER PLATED	CLIP MCON (MCON CONTACT) 0.5 A 0.75 MM ² (S0MM)
1452671-1	CONTACT / CONTACT	ETAME / TIN PLATED	CLIP MCON (MCON CONTACT) 1 A 1.5 MM ² (S0MM)
1452671-2	CONTACT / CONTACT	DORE / GOLD PLATED	CLIP MCON (MCON CONTACT) 1 A 1.5 MM ² (S0MM)
1452671-3	CONTACT / CONTACT	ARGENTE / SILVER PLATED	CLIP MCON (MCON CONTACT) 1 A 1.5 MM ² (S0MM)
963142-3	Joint Uni-Filaire / Single Wire Seal		FIL (WIRE) Ø1.9 à 2.4 DE SECTION 1 - 1.5 MM ² ET ALVEOLE MCON (MCON CAVITY) Ø3.95
963142-2	Joint Uni-Filaire / Single Wire Seal		FIL (WIRE) Ø1.25 à 1.9 DE SECTION 0.35 - 0.75 MM ² ET ALVEOLE MCON (MCON CAVITY) Ø3.95
963143-1	BOUCHON / CAP		OBTURATEUR POUR ALVEOLES MCON Ø3.95 (PLUG FOR Ø3.95 MCON CAVITY)

NOTE:

1	1801600-1 : REPRESENTE	1801600-1 : AS SHOWN
2	COMPATIBLE AVEC ALVEOLES STD. CLIPS MCON 1,2	COMPATIBLE WITH CAVITY STANDARD CLIP MCON 1,2
⚠	REPERE ALVEOLES	CAVITY NUMBER
Ⓜ	LOGO TE	TE STAMP
Ⓜ	IDENTIFICATION MATIERE	MATERIAL IDENTIFICATION
Ⓜ	DATE DE MOULAGE	MOLDING DATE CODE
Ⓜ	N° EMPREINTE DU MOULE	MOLD CAVITY IDENTIFICATION
Ⓜ	REFERENCE COMPOSANTS	COMPONENTS PART NUMBER
10	CAHIER DE PRECONISATION : 411-15748	INSTRUCTION SHEET : (SEE BEFORE)
Ⓜ	INDICE DE REVISION COMPOSANTS	PART REVISION CODE
Ⓜ	REFERENCE DU PRODUIT ASSEMBLE	ASSEMBLY PART NUMBER
Ⓜ	INDICE DE REVISION DU PRODUIT ASSEMBLE	ASSEMBLY PART REVISION CODE
Ⓜ	LOGO POUR ORIENTATION DU CONTACT	LOGO FOR CONTACT ORIENTATION
Ⓜ	DATE D'ASSEMBLAGE	ASSEMBLY DATE CODE
17	SPECIFICATION DE CONDITIONNEMENT : 107-15634	PACKAGING SPECIFICATION : (SEE BEFORE)



COULEUR COLOR	MATIERE MATERIAL	DESCRIPTION TITLE	REP. ITEM
VERT GREEN	SILICONE DURETE 50 SHORE A SILICON ; HARDNESS 50 SHORE A	JOINT INTERFACIAL INTERFACE SEAL	5
ORANGE ORANGE	PBT-1GF35	CPA CPA	4
JAUNE YELLOW	PBT-1GF30	DOUBLE VERROUILLAGE SECONDARY LOCKING	3
VOIR TABLEAU DES REFERENCES SEE TABLE OF PART NUMBER	PBT-1GF35	BOITIER CAVITE CODAGE (VOIR TABLEAU DES REFS) CAVITY HOUSING CODING (SEE TABLE OF PART NO)	2
NOIR BLACK	PBT-1GF35	BOITIER PORTE-CLIPS RECEPTACLE HOUSING	1

THIS DRAWING IS A CONTROLLED DOCUMENT.

DATE: 06/09/2010
 DIMENSIONS: 100%
 MATERIAL: SEE TABLE
 FINISH: -

OBSEP2010
 OBSEP2010
 OBSEP2010
 OBSEP2010

TE Connectivity
 PORTE-CLIPS 10 VOIES MCON
 10 WAYS MCON RECEPTACLE HOUSING

SCALE: 3:1
 SHEET: 1 OF 1
 REV: F

X-ON Electronics

Largest Supplier of Electrical and Electronic Components

Click to view similar products for [Automotive Connectors](#) category:

Click to view products by [TE Connectivity](#) manufacturer:

Other Similar products are found below :

[003-018-000](#) [60403001](#) [60993906-B](#) [M902-2131](#) [M902-2161](#) [72.330.1035.1](#) [73.353.4028.0](#) [F119300-B](#) [F166900](#) [F258300-B](#) [F358300-B](#)
[F407400](#) [F444110](#) [F487000](#) [F509500B-B](#) [827153-1](#) [8N1515-32-24P](#) [9-1326729-8](#) [925474-1](#) [928905-1](#) [964562-4](#) [968782-1](#) [GT17SA-8DS-](#)
[HU](#) [98891-1012](#) [98947-1016](#) [12004147](#) [12004475-L](#) [12010290](#) [12010309-B](#) [12015454](#) [12020219-B](#) [12020308](#) [12041318-B](#) [12052225-L](#)
[12052466](#) [12059125](#) [12064869](#) [12004327-B](#) [12010503-B](#) [12015308](#) [12015384](#) [12015909](#) [1-21030-1](#) [12041254](#) [12041318](#) [12047946-B](#)
[12047957](#) [12047957-L](#) [12059473](#) [12066261](#)