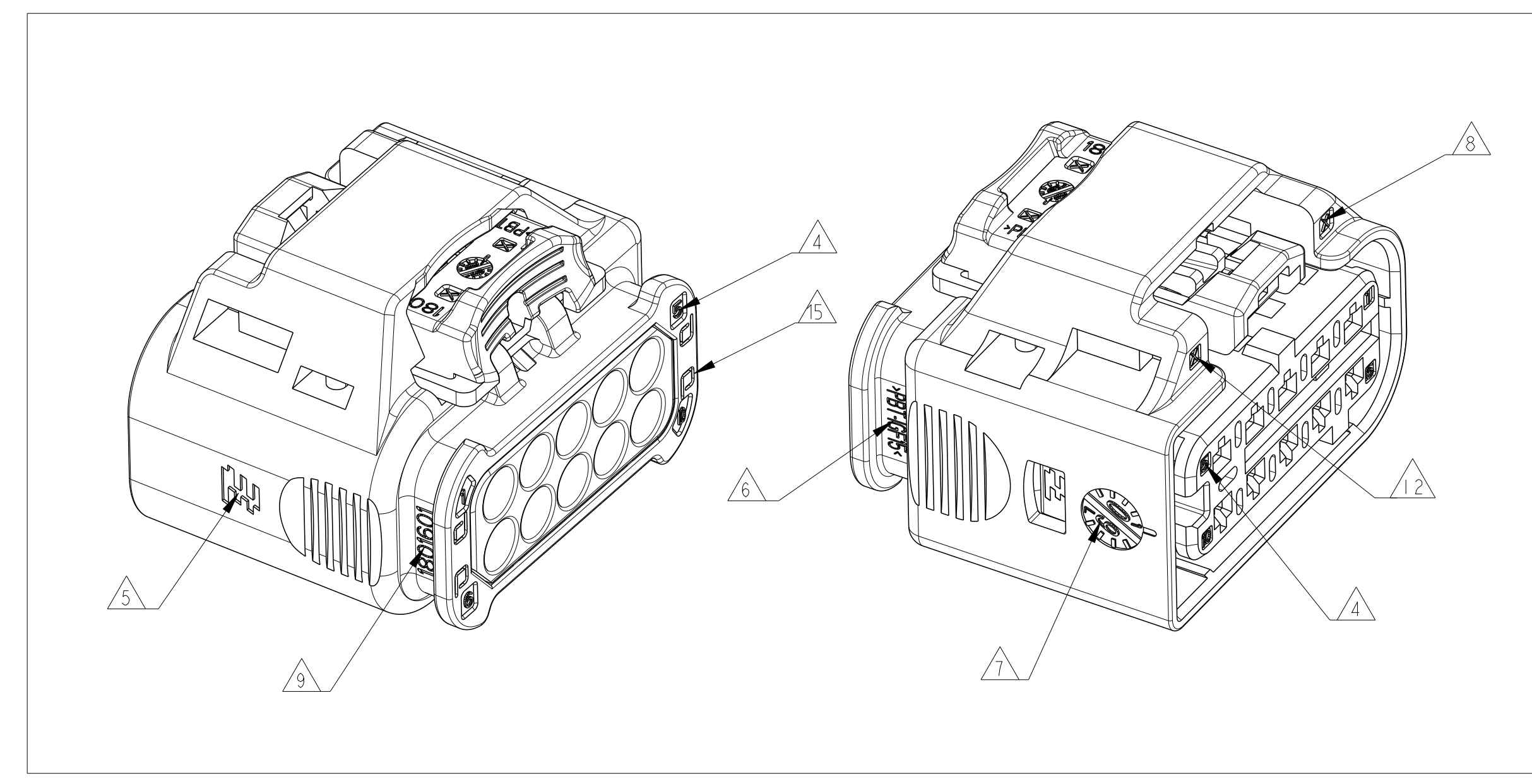
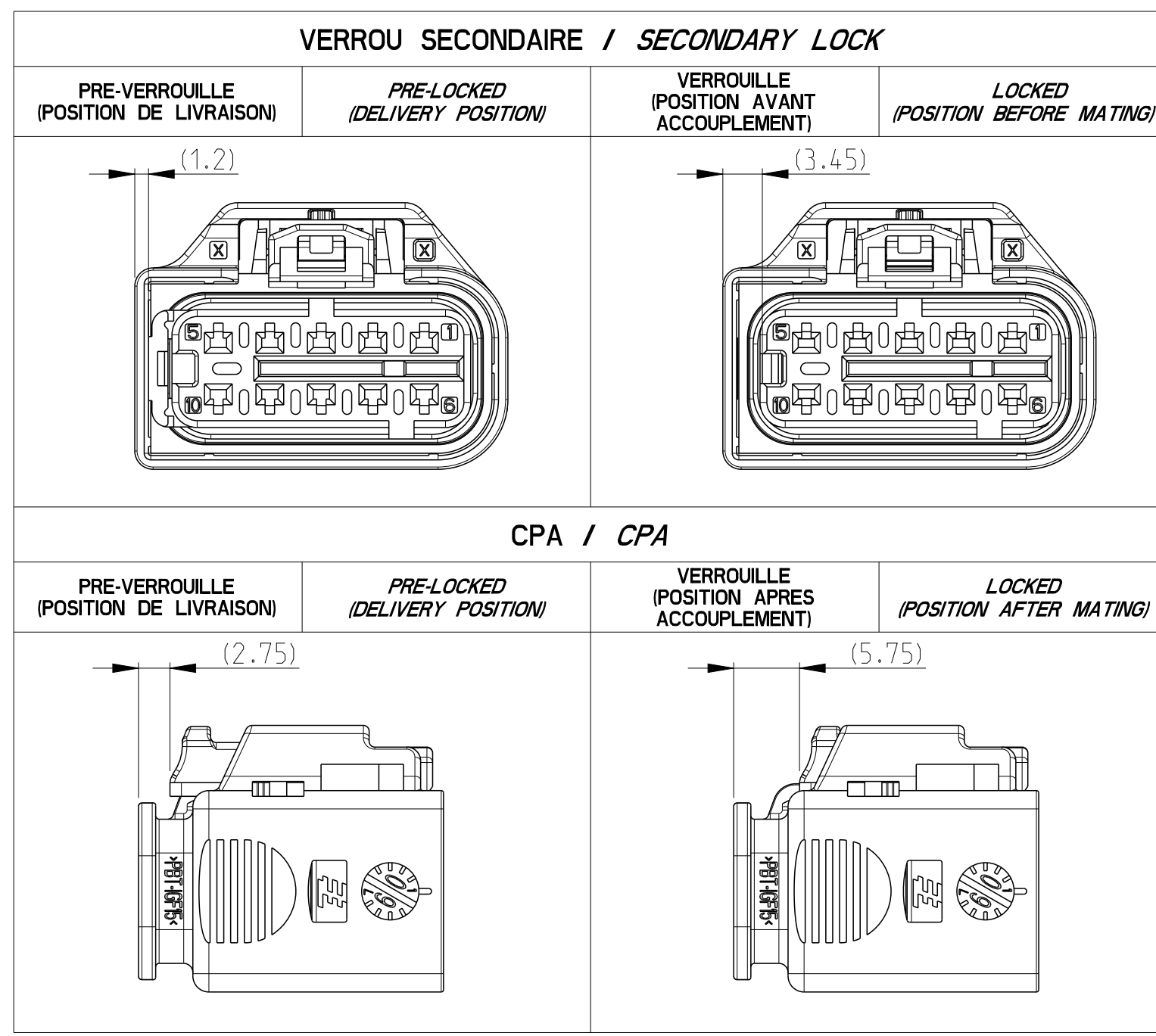


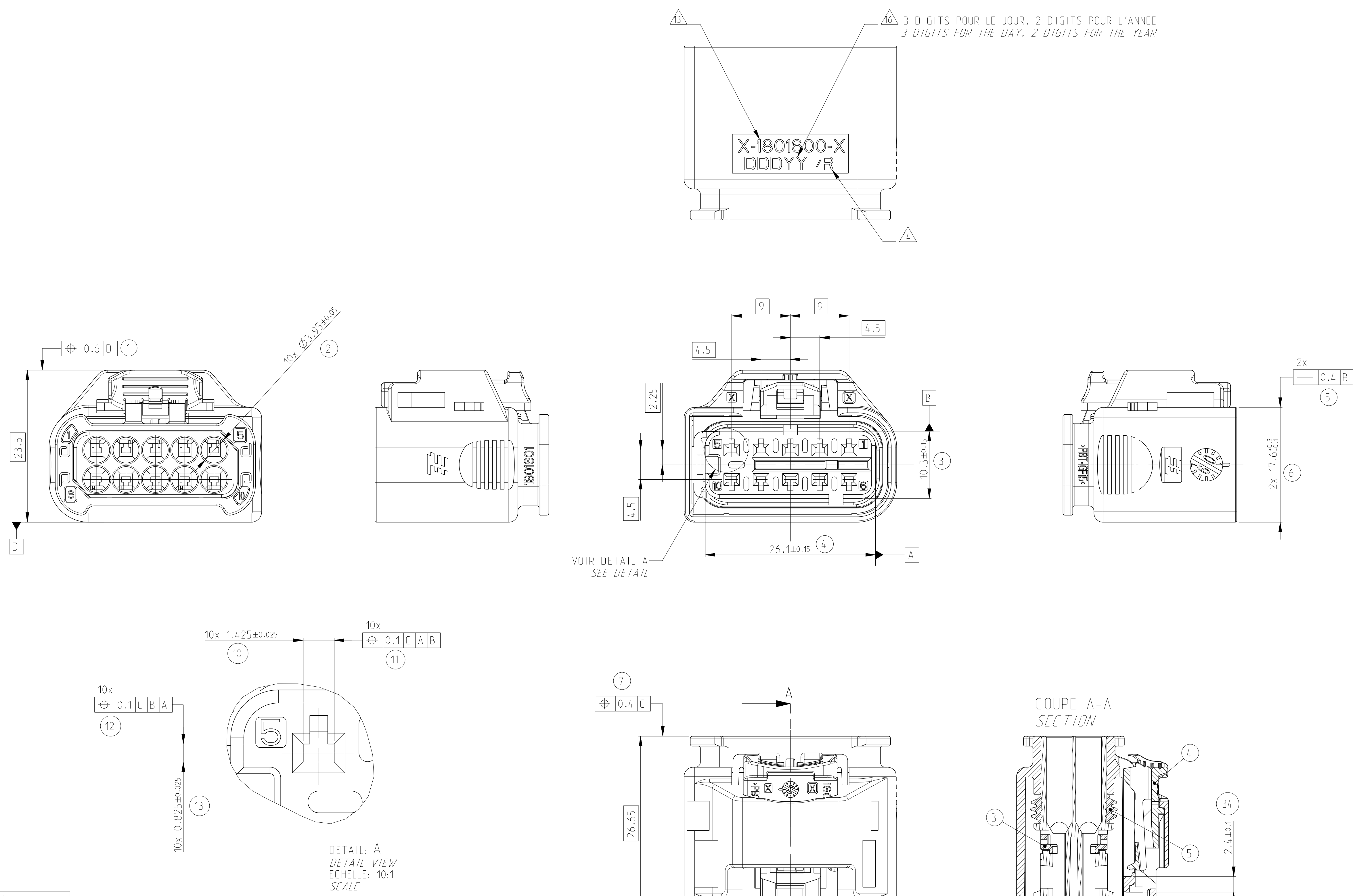
REV	DESCRIPTION	DATE	BY	APP
F	00			
C	ADD NUMBER OF PACKAGING SPECIFICATION	06/09/2012	DB	KR
D	SWS 963142-1 SUPERSEDED BY 963142-3	14/02/2012	DB	KR
E	ADD NEW PART NUMBER 1-1801600-7	20/01/2016	DB	KR
F	CHANGED SEAL MATERIAL INFORMATION	19/08/2018	ASB	GKT



**COMPOSANTS ASSOCIES (APPLIED COMPONENTS)**

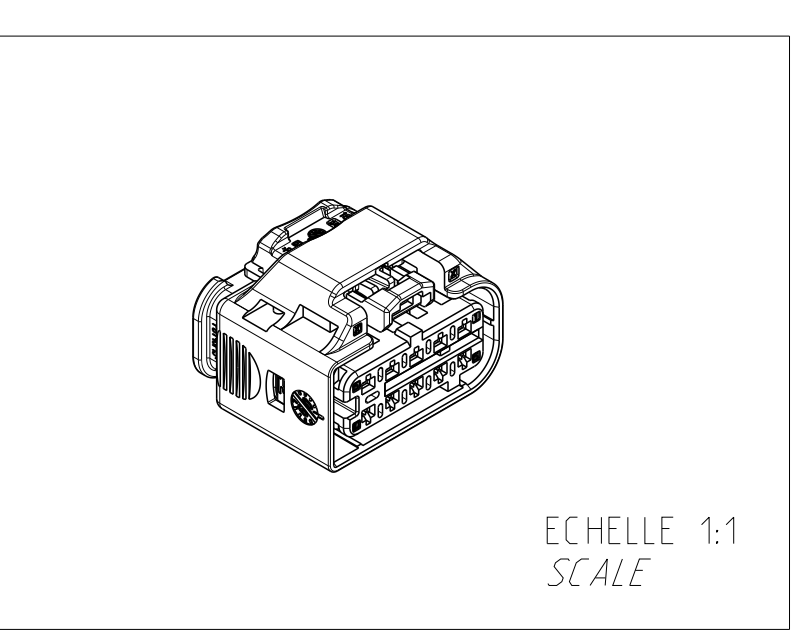
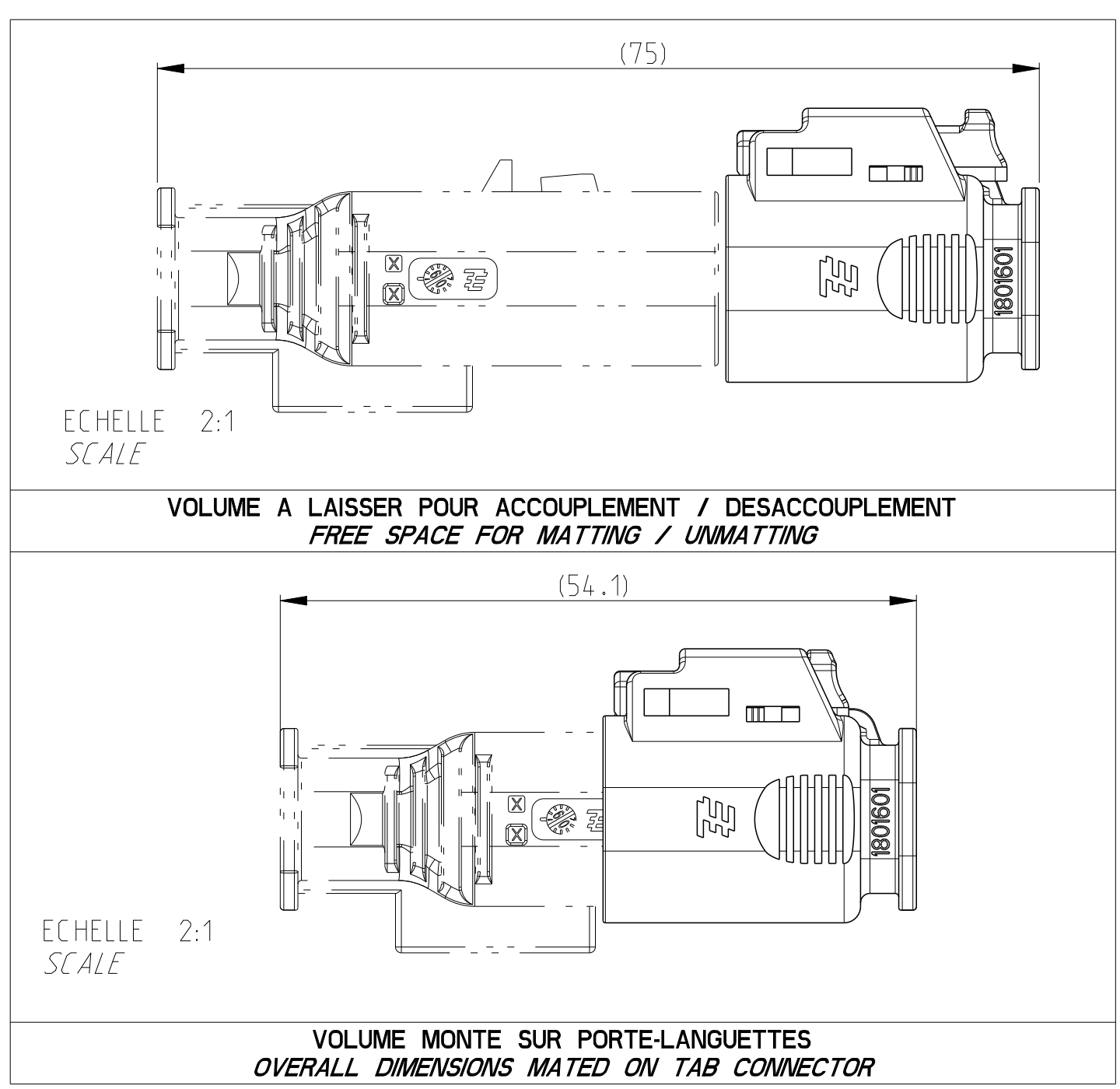
REFERENCE TE / PART NUMBER	DESIGNATION / DESCRIPTION	FINITION / FINISH	REMARQUE / NOTE
1452665-1	CONTACT / CONTACT	ETAME / TIN PLATED	CLIP MCON (MCON CONTACT) 0.25 A 0.35 MM <sup>2</sup> (SDMM)
1452665-2	CONTACT / CONTACT	DORE / GOLD PLATED	CLIP MCON (MCON CONTACT) 0.25 A 0.35 MM <sup>2</sup> (SDMM)
1452665-3	CONTACT / CONTACT	ARGENTE / SILVER PLATED	CLIP MCON (MCON CONTACT) 0.25 A 0.35 MM <sup>2</sup> (SDMM)
1452668-1	CONTACT / CONTACT	ETAME / TIN PLATED	CLIP MCON (MCON CONTACT) 0.5 A 0.75 MM <sup>2</sup> (SDMM)
1452668-2	CONTACT / CONTACT	DORE / GOLD PLATED	CLIP MCON (MCON CONTACT) 0.5 A 0.75 MM <sup>2</sup> (SDMM)
1452668-3	CONTACT / CONTACT	ARGENTE / SILVER PLATED	CLIP MCON (MCON CONTACT) 0.5 A 0.75 MM <sup>2</sup> (SDMM)
1452671-1	CONTACT / CONTACT	ETAME / TIN PLATED	CLIP MCON (MCON CONTACT) 1 A 1.5 MM <sup>2</sup> (SDMM)
1452671-2	CONTACT / CONTACT	DORE / GOLD PLATED	CLIP MCON (MCON CONTACT) 1 A 1.5 MM <sup>2</sup> (SDMM)
1452671-3	CONTACT / CONTACT	ARGENTE / SILVER PLATED	CLIP MCON (MCON CONTACT) 1 A 1.5 MM <sup>2</sup> (SDMM)
963142-3	Joint Uni-Filaire / Single Wire Seal		FIL (WIRE) Ø1.9 à 2.4 DE SECTION 1 - 1.5 MM <sup>2</sup> ET ALVEOLE MCON (MCON CAVITY) Ø3.95
963142-2	Joint Uni-Filaire / Single Wire Seal		FIL (WIRE) Ø1.25 à 1.9 DE SECTION 0.35 - 0.75 MM <sup>2</sup> ET ALVEOLE MCON (MCON CAVITY) Ø3.95
963143-1	BOUCHON / CAP		OBTURATEUR POUR ALVEOLES MCON Ø3.95 (PLUG FOR Ø3.95 MCON CAVITY)

REF. TE / PART NUMBER	REVISION / REVISION CODE	COULEUR / COLOR	CODAGE / KEYING
1801600-1	B A	NOIR / BLACK	
1801600-2	B B	GRIS / GREY	
1801600-3	B C	BLU / BLUE	
1801600-4	B D	VERT / GREEN	
1801600-5	B E	ORANGE / RED	
1801600-6	B	VIOLET / VIOLET	
1-1801600-7	B A	MARON / BROWN	



**NOTE:**

1	1801600-1 : REPRESENTE	1801600-1 : AS SHOWN
2	COMPATIBLE AVEC ALVEOLES STD. CLIPS MCON 1.2	COMPATIBLE WITH CAVITY STANDARD CLIP MCON 1.2
⚠	REPERE ALVEOLES	CAVITY NUMBER
Ⓣ	LOGO TE	TE STAMP
Ⓜ	IDENTIFICATION MATIERE	MATERIAL IDENTIFICATION
Ⓜ	DATE DE MOULAGE	MOLDING DATE CODE
Ⓜ	N° EMPREINTE DU MOULE	MOLD CAVITY IDENTIFICATION
Ⓜ	REFERENCE COMPOSANTS	COMPONENTS PART NUMBER
10	CAHIER DE PRECONISATION : 411-15748	INSTRUCTION SHEET : (SEE BEFORE)
Ⓜ	INDICE DE REVISION COMPOSANTS	PART REVISION CODE
Ⓜ	REFERENCE DU PRODUIT ASSEMBLE	ASSEMBLY PART NUMBER
Ⓜ	INDICE DE REVISION DU PRODUIT ASSEMBLE	ASSEMBLY PART REVISION CODE
Ⓜ	LOGO POUR ORIENTATION DU CONTACT	LOGO FOR CONTACT ORIENTATION
Ⓜ	DATE D'ASSEMBLAGE	ASSEMBLY DATE CODE
17	SPECIFICATION DE CONDITIONNEMENT : 107-15634	PACKAGING SPECIFICATION : (SEE BEFORE)



VERT / GREEN	SILICONE DURETE 50 SHORE A / SILICON ; HARDNESS 50 SHORE A	JOINT INTERFACIAL / INTERFACE SEAL	5
ORANGE / GRANGE	PBT-IGF5	CPA / CPA	4
JAUNE / YELLOW	PBT-IGF30	DOUBLE VERROUILLAGE / SECONDARY LOCKING	3
VOIR TABLEAU DES REFERENCES / SEE TABLE OF PART NUMBER	PBT-IGF5	BOITIER CAVITE / CAVITY HOLDER / CODAGE (SEE TABLE OF PART NO)	2
NNOIR / BLACK	PBT-IGF5	BOITIER PORTE-CLIPS / RECEPTACLE HOUSING	1
COULEUR / COLOR	MATIERE / MATERIAL	DESCRIPTION / TITLE	REP. ITEM

THIS DRAWING IS A CONTROLLED DOCUMENT.

REV	DESCRIPTION	DATE	BY	APP
00				

TE Connectivity

**10 VOIES MCON RECEPTACLE HOUSING**

00779 1801600

SCALE: 3:1

## X-ON Electronics

Largest Supplier of Electrical and Electronic Components

*Click to view similar products for [Automotive Connectors](#) category:*

*Click to view products by [TE Connectivity](#) manufacturer:*

Other Similar products are found below :

[003-018-000](#) [60993906-B](#) [M902-2131](#) [M902-2161](#) [M902-2344](#) [72.330.1035.1](#) [73.353.4028.0](#) [F166900](#) [F358300-B](#) [F407400](#) [776880-1](#)  
[827153-1](#) [8N1515-32-24P](#) [9-1326729-8](#) [925474-1](#) [928905-1](#) [964562-4](#) [968782-1](#) [98891-1012](#) [12004475-L](#) [12020308](#) [12041318-B](#)  
[12052466](#) [12064869](#) [12015909](#) [1-21030-1](#) [12041254](#) [12041318](#) [12047946-B](#) [12110546-B](#) [12131792](#) [12084688](#) [12092346](#) [HD34-18-14PT](#)  
[HD46-24-23SN-059](#) [HDB36-24-16PN-059](#) [HDP26-24-9SE-L015](#) [12185280](#) [12185550](#) [12336-12](#) [12191172-B](#) [12S](#) [13545280](#) [13577943](#)  
[13681974](#) [13737722-B](#) [13830674](#) [13832576](#) [13849772](#) [13542772](#)