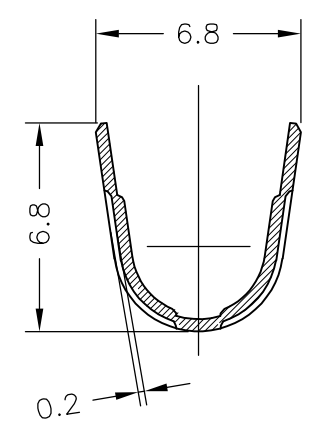


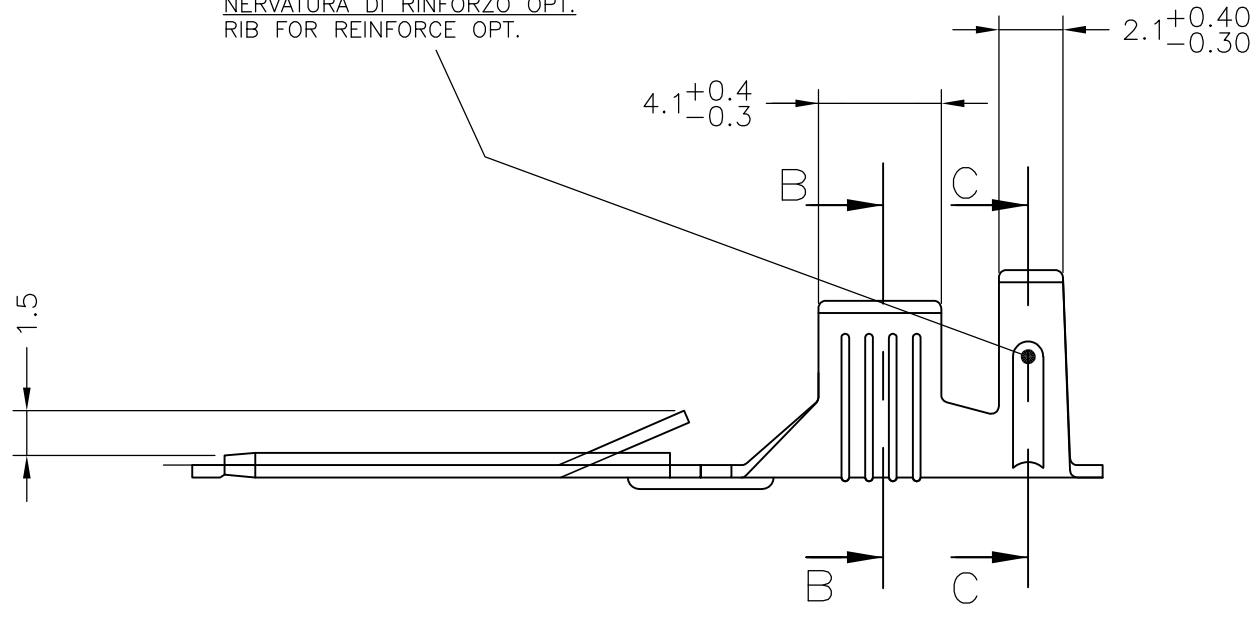
THIS DRAWING IS UNPUBLISHED. RELEASED FOR PUBLICATION 9 DEC ,1991.  
 © COPYRIGHT 1991 By - ALL RIGHTS RESERVED.

LOC	DIST	REVISIONS			
P	LTR	DESCRIPTION	DATE	DWN	APVD
-	-	AM7	REVISE PER ECR-17-010701	31JULY2017	DT TD

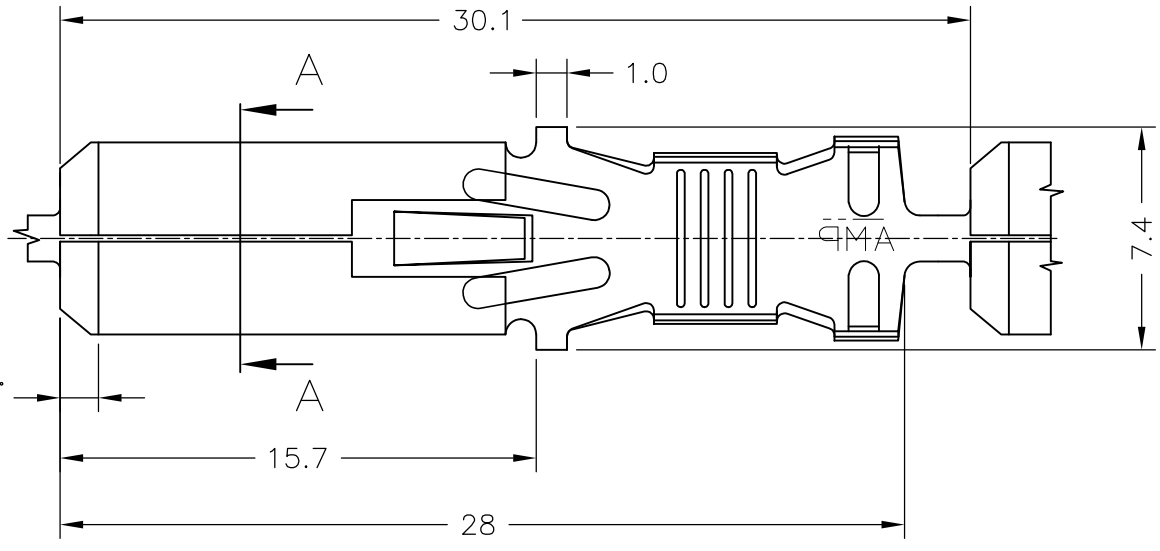
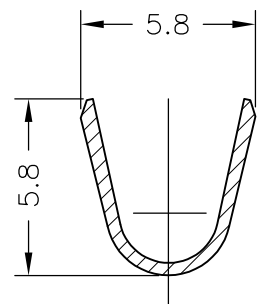
SECT. C-C



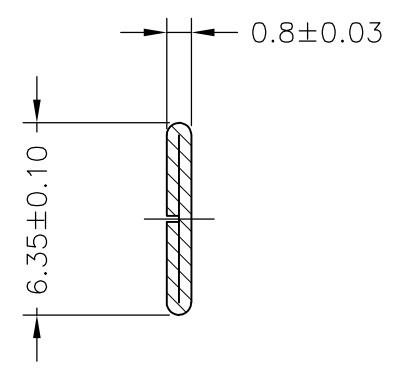
NERVATURA DI RINFORZO OPT.  
RIB FOR REINFORCE OPT.



SECT. B-B



SECT. A-A



1.3 X 40°

SENDO DI USCITA DALLA BOBINA  
REEL OUT DIRECTION

- 1 NON DISPONIBILE DALL TE ITALIA  
[NOT AVAILABLE FROM TE ITALY]
- 2 BOBINATO SU BOBINA 13"  
CON CARTA INTERPOSTA TRA LE SPIRE  
[REELED ON 13" CARTON REEL  
WITH INTERLAYER PAPER STRIP]
- 3 BOBINATO SU BOBINA 10 1/2"  
CON CARTA INTERPOSTA TRA LE SPIRE  
[REELED ON 10 1/2" CARTON REEL  
WITH INTERLAYER PAPER STRIP]
- 4 BOBINATO SU BOBINA 12"  
CON CARTA INTERPOSTA TRA LE SPIRE  
[REELED ON 12" CARTON REEL  
WITH INTERLAYER PAPER STRIP]
- 5 OBSOLETE PARTS: OBSOLETE CIS STREAMLINING PER  
D.RENAUD/D.SINISI

5	OBSOLETE	-	OTTONE/ BRASS	1-180352-9	3
5	OBSOLETE	1-180352-2	OT.STAG./ BRASS TINNED	1-180352-8	1 3
5	OBSOLETE	1-180409-7	OT.PRE-ST./ BR.PRE-TIN	1-180352-7	1 3
5	OBSOLETE	1-180409-6	OT.ARGENT/ BR. SILVERED	1-180352-6	1 3
5	OBSOLETE	1-180409-5	BR.FOSF.ST/ PH.BR TINNED	1-180352-5	1 3
5	OBSOLETE	1-180409-4	BR.FOSF.ARG./ PH.BR. SILVER	1-180352-4	1 3
5	OBSOLETE	1-180409-3	BRONZO FOSF./ PHOS. BR	1-180352-3	1 3
5	OBSOLETE	1-180409-2	OT.STAG./ BR.TINNED	1-180352-2	1 3
5	OBSOLETE	1-180409-1	OTTONE/ BRASS	1-180352-1	1 3
5	OBSOLETE	180409-6	OT.ARGENT. / BR.SILVERED	180352-9	1 2
5	OBSOLETE	180409-2	OT. STAG. / BR.TINNED	180352-8	1 2
5	OBSOLETE	180409-7	OT.PRE-ST / BR. PRE-TIN	180352-7	1 3
		180409-6	OT.ARGENT/ BR. SILVERED	180352-6	4
		180409-5	BR.FOSF.ST/PH.BR.TINNED	180352-5	
		180409-4	BR.FOSF.ARG./PH.BR.SILVER	180352-4	
		180409-3	BRONZO FOSF./ PHOS.BR	180352-3	
		180409-2	OTT. PRE-STAG/BR.PRE-TIN	180352-2	4
		180409-1	OTTONE / BRASS	180352-1	4
		LOOSE PIECE NO.	MATERIALE / FINITURA MATERIAL / FINISH	NUMERO /PART NO.	

THIS DRAWING IS A CONTROLLED DOCUMENT.

DWN P.VERGANO 12-09-91  
CHK -  
APVD -

PRODUCT SPEC 108-20020  
APPLICATION SPEC 114-2025  
WEIGHT

**STE** TE Connectivity  
FASTIN-ON TAB .250 SRS

SIZE A3 CAGE CODE 00779 DRAWING NO C-180352 RESTRICTED TO -

CUSTOMER DRAWING SCALE 4:1 SHEET 1 OF 1 REV AM7

RANGO FILO (WIRE RANGE) 4-6 mm <sup>2</sup>	DIAM. ISOLANTE (INS. DIA. RANGE) 3.4-5.1
---------------------------------------------------	------------------------------------------------

DIMENSIONS:	TOLERANCES UNLESS OTHERWISE SPECIFIED:
mm	
0 PLC	± -
1 PLC	± 0.3
2 PLC	± -
3 PLC	± -
4 PLC	± -
ANGLES	± 2°
MATERIAL	FINISH
-	SEE TABLE

## X-ON Electronics

Largest Supplier of Electrical and Electronic Components

*Click to view similar products for [Terminals](#) category:*

*Click to view products by [TE Connectivity](#) manufacturer:*

Other Similar products are found below :

[00-054007-01074-6](#) [00-054007-70206-1](#) [00-054007-70210-8](#) [00-054007-70217-7](#) [00-054007-70226-9](#) [00-054007-70228-3](#) [00-054007-70248-1](#) [00-054007-70256-6](#) [00-054007-70301-3](#) [00-054007-70316-7](#) [00-054007-49560-4](#) [00-054007-70209-2](#) [00-054007-70225-2](#) [00-054007-70227-6](#) [00-054007-70231-3](#) [00-054007-70241-2](#) [00-054007-70242-9](#) [00-054007-70244-3](#) [00-054007-70246-7](#) [00-054007-70263-4](#) [00-054007-70288-7](#) [00-054007-70290-0](#) [00-054007-70300-6](#) [00-054007-70304-4](#) [01-2065-1-0216](#) [01-2900-1-04412](#) [00581P0075](#) [600TS-10](#) [60205-1](#) [604200-1](#) [605601-1](#) [60598-1-CUT-TAPE](#) [61314-6-C](#) [61810-3](#) [61-S](#) [61-SN](#) [626-0194](#) [62-NBM-A](#) [62-SN](#) [62-SP](#) [63-S](#) [640179-1](#) [M55155/059I03](#) [M55155/079C01](#) [M55155/099H02](#) [M55155/109H01](#) [M55155/109H02](#) [M55155/12XH05](#) [M55155/16XH02](#) [M55155/29-5S](#)