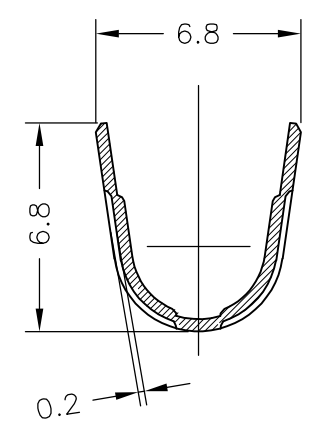


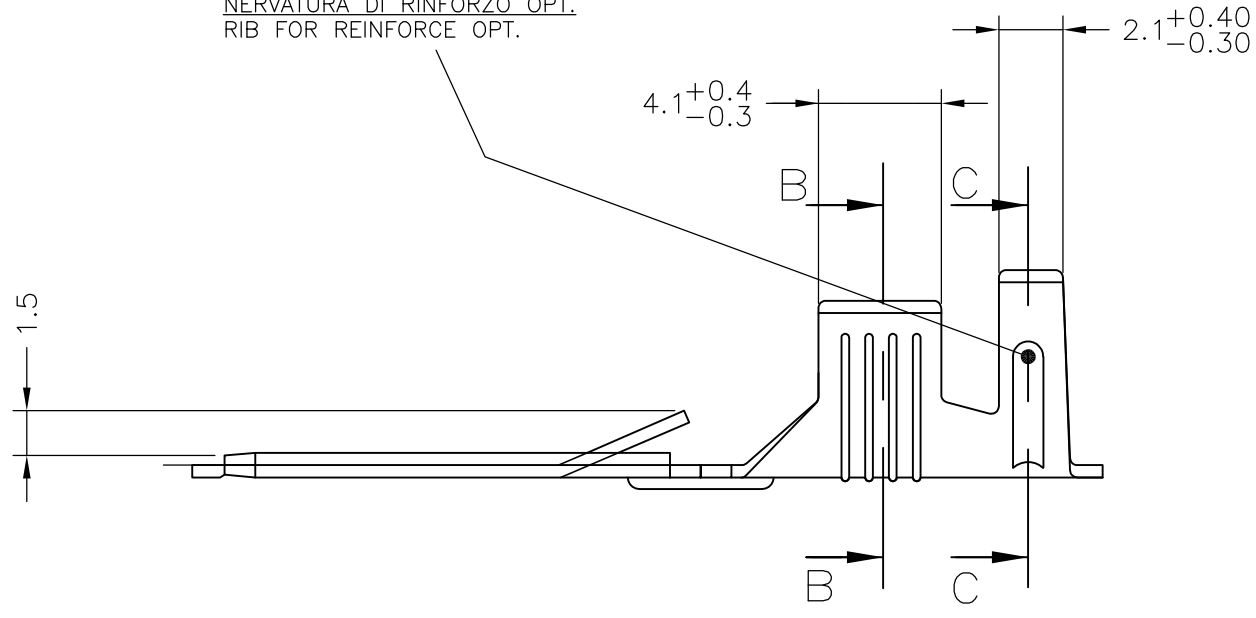
THIS DRAWING IS UNPUBLISHED. RELEASED FOR PUBLICATION 9 DEC ,1991.
 © COPYRIGHT 1991 By - ALL RIGHTS RESERVED.

LOC	DIST	REVISIONS					
		P	LTR	DESCRIPTION	DATE	DWN	APVD
-	-	AM7		REVISE PER ECR-17-010701	31JULY2017	DT	TD

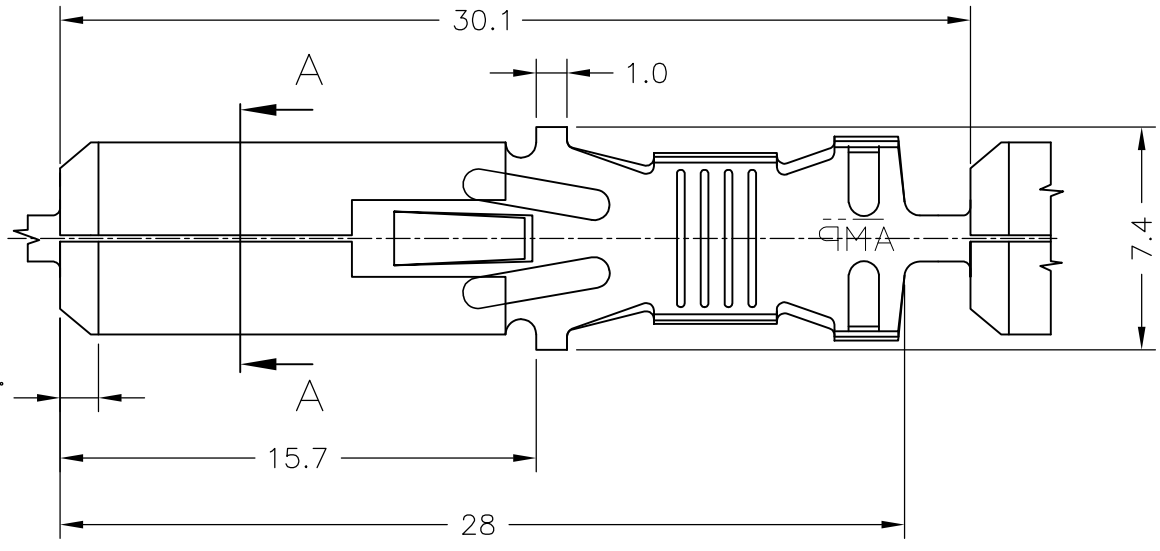
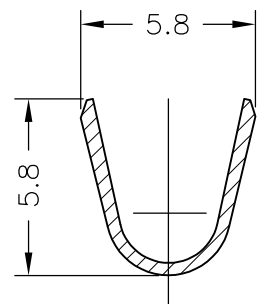
SECT. C-C



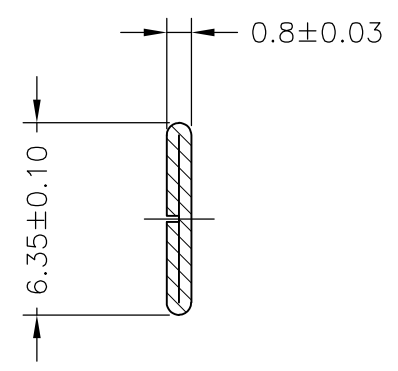
NERVATURA DI RINFORZO OPT.
RIB FOR REINFORCE OPT.



SECT. B-B



SECT. A-A



1.3 X 40°

SENSO DI USCITA DALLA BOBINA
REEL OUT DIRECTION

- 1 NON DISPONIBILE DALL TE ITALIA [NOT AVAILABLE FROM TE ITALY]
- 2 BOBINATO SU BOBINA 13" CON CARTA INTERPOSTA TRA LE SPIRE [REELED ON 13" CARTON REEL WITH INTERLAYER PAPER STRIP]
- 3 BOBINATO SU BOBINA 10 1/2" CON CARTA INTERPOSTA TRA LE SPIRE [REELED ON 10 1/2" CARTON REEL WITH INTERLAYER PAPER STRIP]
- 4 BOBINATO SU BOBINA 12" CON CARTA INTERPOSTA TRA LE SPIRE [REELED ON 12" CARTON REEL WITH INTERLAYER PAPER STRIP]
- 5 OBSOLETE PARTS: OBSOLETE CIS STREAMLINING PER D.RENAUD/D.SINISI

5	OBSOLETE	-	OTTONE/ BRASS	1-180352-9	3
5	OBSOLETE	1-180352-2	OT.STAG./ BRASS TINNED	1-180352-8	1 3
5	OBSOLETE	1-180409-7	OT.PRE-ST./ BR.PRE-TIN	1-180352-7	1 3
5	OBSOLETE	1-180409-6	OT.ARGENT/ BR. SILVERED	1-180352-6	1 3
5	OBSOLETE	1-180409-5	BR.FOSF.ST/ PH.BR TINNED	1-180352-5	1 3
5	OBSOLETE	1-180409-4	BR.FOSF.ARG./ PH.BR. SILVER	1-180352-4	1 3
5	OBSOLETE	1-180409-3	BRONZO FOSF./ PHOS. BR	1-180352-3	1 3
5	OBSOLETE	1-180409-2	OT.STAG./ BR.TINNED	1-180352-2	1 3
5	OBSOLETE	1-180409-1	OTTONE/ BRASS	1-180352-1	1 3
5	OBSOLETE	180409-6	OT.ARGENT. / BR.SILVERED	180352-9	1 2
5	OBSOLETE	180409-2	OT. STAG. / BR.TINNED	180352-8	1 2
5	OBSOLETE	180409-7	OT.PRE-ST / BR. PRE-TIN	180352-7	1 3
		180409-6	OT.ARGENT/ BR. SILVERED	180352-6	4
		180409-5	BR.FOSF.ST/PH.BR.TINNED	180352-5	
		180409-4	BR.FOSF.ARG./PH.BR.SILVER	180352-4	
		180409-3	BRONZO FOSF./ PHOS.BR	180352-3	
		180409-2	OTT. PRE-STAG/BR.PRE-TIN	180352-2	4
		180409-1	OTTONE / BRASS	180352-1	4
		LOOSE PIECE NO.	MATERIALE / FINITURA MATERIAL / FINISH	NUMERO /PART NO.	

THIS DRAWING IS A CONTROLLED DOCUMENT.

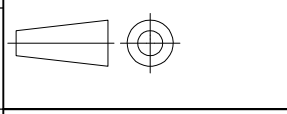
DWN P.VERGANO 12-09-91
 CHK -
 APVD -
 PRODUCT SPEC 108-20020
 APPLICATION SPEC 114-2025
 WEIGHT -

STE TE Connectivity
 FASTIN-ON TAB .250 SRS

SIZE A3 CAGE CODE 00779 DRAWING NO C-180352 RESTRICTED TO -

CUSTOMER DRAWING SCALE 4:1 SHEET 1 OF 1 REV AM7

RANGO FILO (WIRE RANGE) 4-6 mm ²	DIMENSIONS: mm	TOLERANCES UNLESS OTHERWISE SPECIFIED:
DIAM. ISOLANTE (INS. DIA. RANGE) 3.4-5.1	MATERIAL -	FINISH SEE TABLE



X-ON Electronics

Largest Supplier of Electrical and Electronic Components

Click to view similar products for [Terminals](#) category:

Click to view products by [TE Connectivity](#) manufacturer:

Other Similar products are found below :

[HT-13-10](#) [71M-250-32-NB](#) [01-2065-1-0216](#) [00581P0075](#) [M10-10RX](#) [M10BCK](#) [60205-1](#) [604200-1](#) [60598-1-CUT-TAPE](#) [60617-1-C](#) [60873-1](#) [M14-516R/SK](#) [M14-6RSX](#) [M18-8FBX](#) [M18-8R/LX](#) [M18BCK](#) [61314-6-C](#) [61-S](#) [61-SN-A](#) [62-NBM-A](#) [63-S](#) [640179-1](#) [640917-2-CUT-TAPE](#) [6501550002](#) [66107-2-C](#) [696683-1](#) [696834-1](#) [696861-1](#) [696931-1](#) [696999-1](#) [M8-516RK](#) [M86700006](#) [MA250DMFMX-A](#) [701-2007](#) [701-2307](#) [701-7761-03](#) [70F-110-32-PB](#) [718-N-A](#) [71M-187-20-NBL](#) [71M-250-32-NBL](#) [72F-187-20-NBL](#) [72M-250-32-NBL](#) [7310](#) [73F-250-32](#) [73F-250-32-NL](#) [F14-10C](#) [F-1M](#) [751-250](#) [76650-5002](#) [76828-149](#)