

SCALA NON IMPEGNATIVA
(DO NOT SCALE)
DIMENSIONI IN
(DIMENSIONS IN) mm

METRIC

PROIEZIONE EUROPEA
(EUROPEAN PROJECTION)

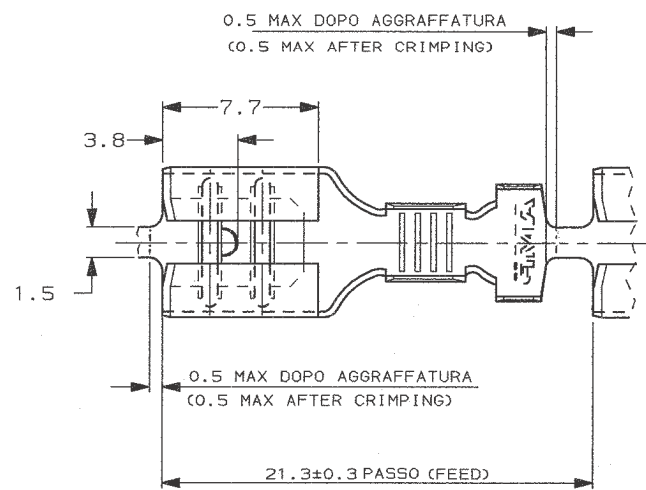
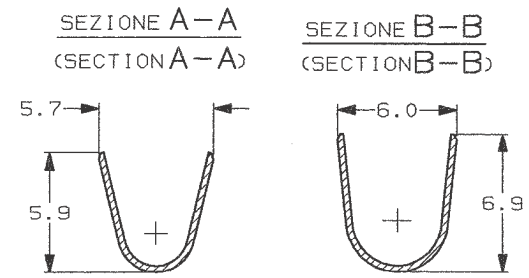
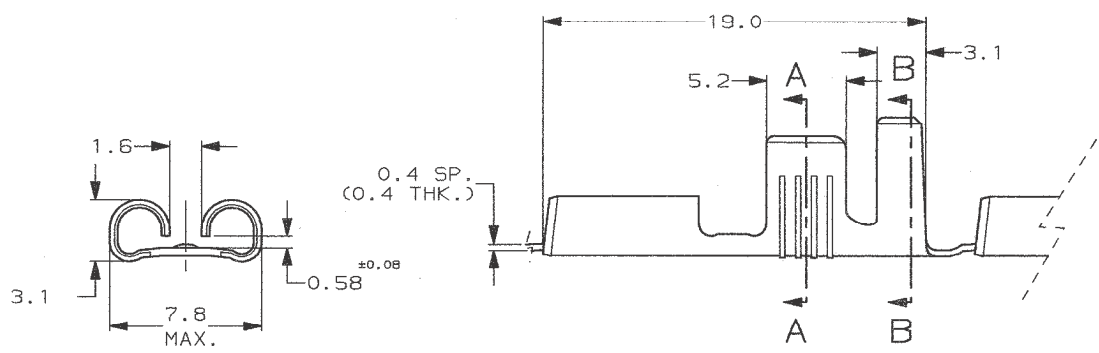
A

B

C

D

E



1) SPECIFICA DI PRODOTTO 108-20019.
(PRODUCT SPEC. 108-20019).
SPECIFICA DI AGGRAFFATURA 114-20023.
(APPLICATION SPEC. 114-20023).

- 2 OBSOLETE
- 3 REELED WITH PAPER INTERLEAVE.

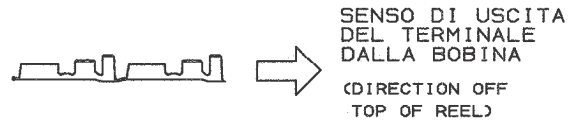
-	-	STAGNATO (TIN PLTD)	OTTONE (BRASS)	180363-7
180367-2	-	STAGNATO (TIN PLTD)	OTTONE (BRASS)	180363-2
180367-1	2	NUDO (UNPLATED)	OTTONE (BRASS)	180363-1
PEZZO SCIOLTO P/N (LOOSE PIECE P/N)	NOTE	FINITURA / COLORE (FINISH / COLOUR)	MATERIALE (MATERIAL)	NUMERO (TE PIN)

CUSTOMER DWG. FOR REFERENCE ONLY DISEGNO PER CLIENTE SOLO PER RIFERIMENTO

THIS DRAWING IS UNPUBLISHED RELEASE FOR PUBLICATION 19

TOLLERANZE, SE NON DIVERSAMENTE SPECIFICATO (TOLERANCES, UNLESS OTHERWISE SPECIFIED)	DIAM. ISOLANTE (INS. DIA. RANGE)	RANGO FILO (WIRE RANGE)	SCALA (SCALE)
± 0.3	3.8-5.1 mm	4.0-6.0 mm ²	4:1
ANGOLI (ANGLES)	STE TE Connectivity		
DIS. 25 JUL 97 (DR.) A. FROLA	DESCRIZIONE (DESCRIPTION) FASTON® Connector		
CONT. 25 JUL 97 (CHR.) G. TURCO	.250" sr. REC. CONTACT		
APP. - (APP.)	LOC. SIZE (DWG NO)	NUMERO (DWG NO)	REV. FOGLIO (SHEET)
	IA3	C-180363	AC1 1 DI 1

STATO DI FORNITURA -SCALA 1:1
(SUPPLYING CONDITION -SCALE 1:1-)



AC1	REVISED PER ECR-14-012577	22AUG2014	NK	DC
REV	REVISION RECORD	DATE	DWN	APVD

DISTRIBUZIONE (PRINT DIST.)

X-ON Electronics

Largest Supplier of Electrical and Electronic Components

Click to view similar products for [Terminals](#) category:

Click to view products by [TE Connectivity](#) manufacturer:

Other Similar products are found below :

[00-054007-01074-6](#) [00-054007-70206-1](#) [00-054007-70210-8](#) [00-054007-70217-7](#) [00-054007-70226-9](#) [00-054007-70228-3](#) [00-054007-70248-1](#) [00-054007-70256-6](#) [00-054007-70301-3](#) [00-054007-70316-7](#) [00-054007-49560-4](#) [00-054007-70209-2](#) [00-054007-70225-2](#) [00-054007-70227-6](#) [00-054007-70231-3](#) [00-054007-70241-2](#) [00-054007-70242-9](#) [00-054007-70244-3](#) [00-054007-70246-7](#) [00-054007-70263-4](#) [00-054007-70288-7](#) [00-054007-70290-0](#) [00-054007-70300-6](#) [00-054007-70304-4](#) [01-2065-1-0216](#) [01-2900-1-04412](#) [00581P0075](#) [600TS-10](#) [60205-1](#) [604200-1](#) [605601-1](#) [60598-1-CUT-TAPE](#) [61314-6-C](#) [61810-3](#) [61-S](#) [61-SN](#) [626-0194](#) [62-NBM-A](#) [62-SN](#) [62-SP](#) [63-S](#) [640179-1](#) [M55155/059I03](#) [M55155/079C01](#) [M55155/099H02](#) [M55155/109H01](#) [M55155/109H02](#) [M55155/12XH05](#) [M55155/16XH02](#) [M55155/29-5S](#)