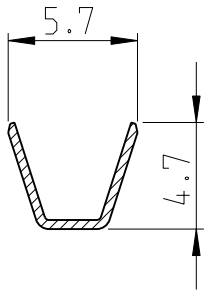


LOC	DIST	REVISIONS					
		P	LTR	DESCRIPTION	DATE	DWN	APVD
1	-		AV	ET00044896	21-Oct-1996	H.Y.	-
			AV1	ET00034799	18-Nov-1999	H.Y.	-
			AV2	REDRAWN FOR CLARITY	11-NOV-2009	PKS	RRP
			AV3	180453-6 DETAILS ADDED TO P/N TABLE	15-Jun-2010	MRS	PKS

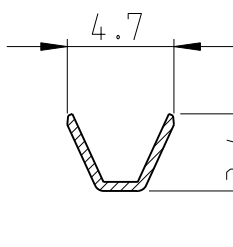
SECTION A-A



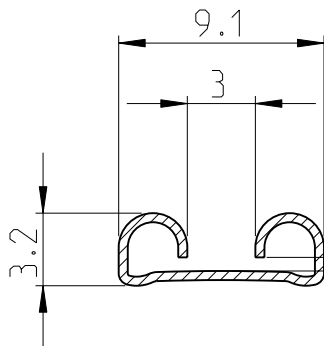
NOTES:

- 1 FORNITO IN BOBINA Ø24" CON CARTA INTERPOSTA TRA LE SPIRE DEI TERMINALI (TERMINAL REELED ON 24" STD CARTON REEL WITH INTERLEAVE PAPER STRIP)
- 2 NON DISPONIBILE DALL TE ITALIA (NOT AVAILABLE FROM TE ITALY)
- 3 REVERSE REELED FOR AMP-O-MATOR

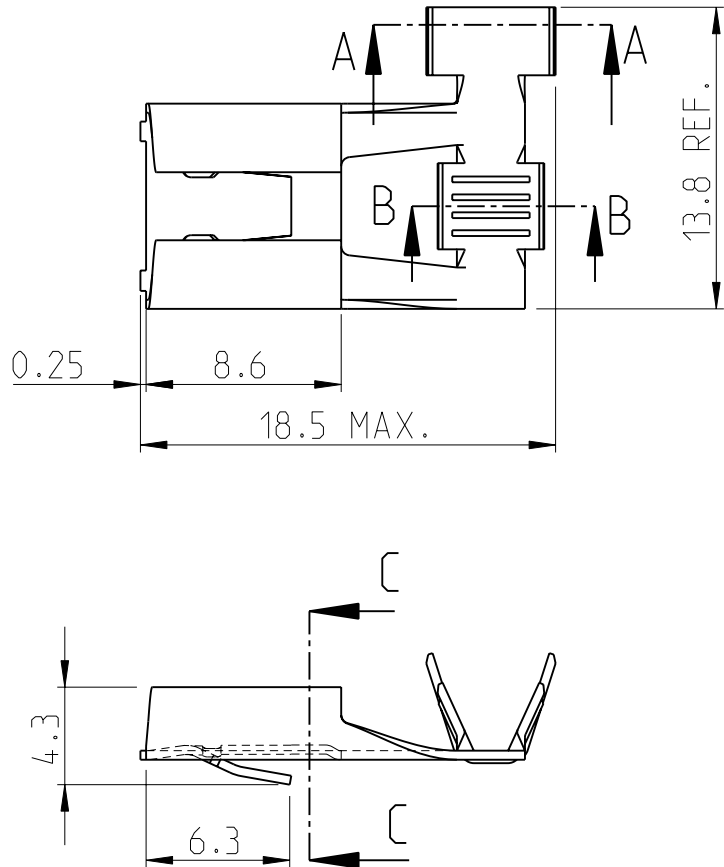
SECTION B-B



SECTION C-C



ADATTO PER LINGUETTA DA 0.8mm DI SPESSE
(SUITABLE FOR TAB 0.8mm THK.)



1	2	PHOS. BRONZE	2-180453-5	3				
TIN	1	BRASS	1-180453-2	3	TIN	BRASS	180453-2	3
TIN		PHOS. BRONZE	180453-6	3	-	BRASS	180453-1	3
SILVER		BRASS	180453-4	3	SILVER	BRASS	180373-6	
SILVER		PHOS. BRONZE	180453-3	3	TIN	PHOS. BRONZE	180373-5	
FINISH/ FINITURA	MATERIAL/ MATERIALE	P/N	FINISH/ FINITURA	MATERIAL/ MATERIALE	P/N	FINISH/ FINITURA	MATERIAL/ MATERIALE	P/N

DIMENSIONS:

mm

TOLERANCES UNLESS OTHERWISE SPECIFIED:

0 PLC	±
1 PLC	±0.4
2 PLC	±
3 PLC	±
4 PLC	±
ANGLES	±2°



DWN A.MERLINO	12-10-62
CHK R.BAKKER	12-10-62
APVD R.BAKKER	12-10-62
PRODUCT SPEC	-
APPLICATION SPEC	-
WEIGHT	-

MATERIAL SEE TABLE FINISH SEE TABLE



Tyco Electronics AMP ITALIA
TORINO, ITALIA

NAME
312 SERIES FLAG FAST-IN-ON RECEPTACLE

SIZE	CAGE CODE	DRAWING NO	RESTRICTED TO
A 4	00779	C-180373	-

CUSTOMER DRAWING

SCALE 3:1 SHEET 1 OF 1 REV AV3

1962

RELEASED FOR PUBLICATION

BY TYCO ELECTRONICS CORPORATION. ALL INTERNATIONAL RIGHTS RESERVED.

THIS DRAWING IS UNPUBLISHED.

© COPYRIGHT 1962

X-ON Electronics

Largest Supplier of Electrical and Electronic Components

Click to view similar products for [Terminals](#) category:

Click to view products by [TE Connectivity](#) manufacturer:

Other Similar products are found below :

[00-054007-01074-6](#) [00-054007-70206-1](#) [00-054007-70210-8](#) [00-054007-70217-7](#) [00-054007-70226-9](#) [00-054007-70228-3](#) [00-054007-70248-1](#) [00-054007-70256-6](#) [00-054007-70301-3](#) [00-054007-70316-7](#) [00-054007-49560-4](#) [00-054007-70209-2](#) [00-054007-70225-2](#) [00-054007-70227-6](#) [00-054007-70231-3](#) [00-054007-70241-2](#) [00-054007-70242-9](#) [00-054007-70244-3](#) [00-054007-70246-7](#) [00-054007-70263-4](#) [00-054007-70288-7](#) [00-054007-70290-0](#) [00-054007-70300-6](#) [00-054007-70304-4](#) [01-2065-1-0216](#) [01-2900-1-04412](#) [00581P0075](#) [600TS-10](#) [60205-1](#) [604200-1](#) [605601-1](#) [60598-1-CUT-TAPE](#) [61314-6-C](#) [61810-3](#) [61-S](#) [61-SN](#) [626-0194](#) [62-NBM-A](#) [62-SN](#) [62-SP](#) [63-S](#) [640179-1](#) [M55155/059I03](#) [M55155/079C01](#) [M55155/099H02](#) [M55155/109H01](#) [M55155/109H02](#) [M55155/12XH05](#) [M55155/16XH02](#) [M55155/29-5S](#)