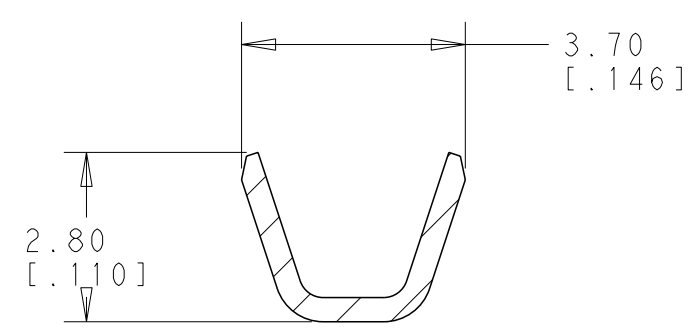
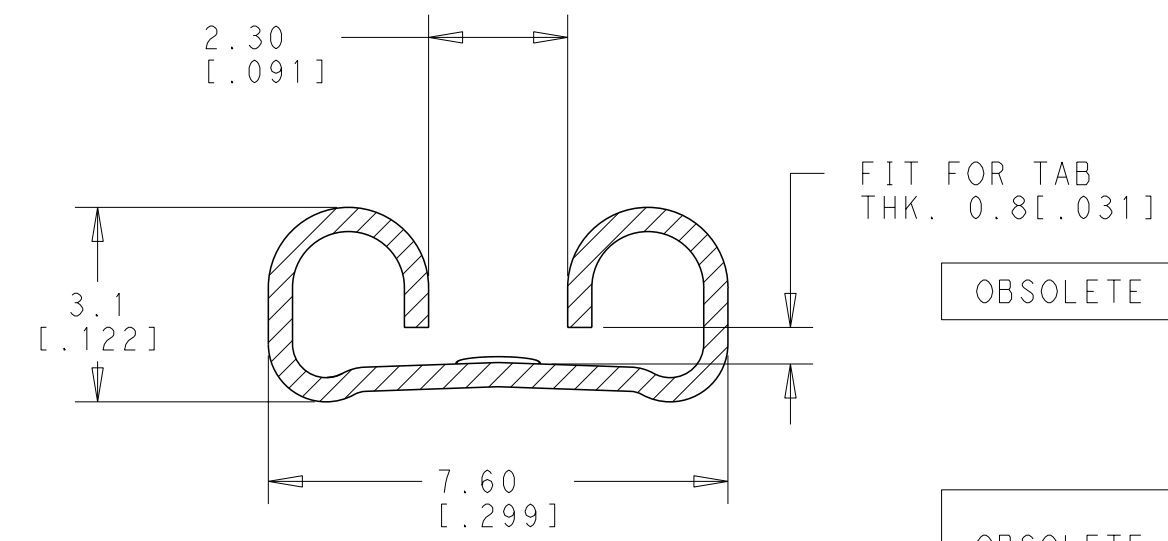
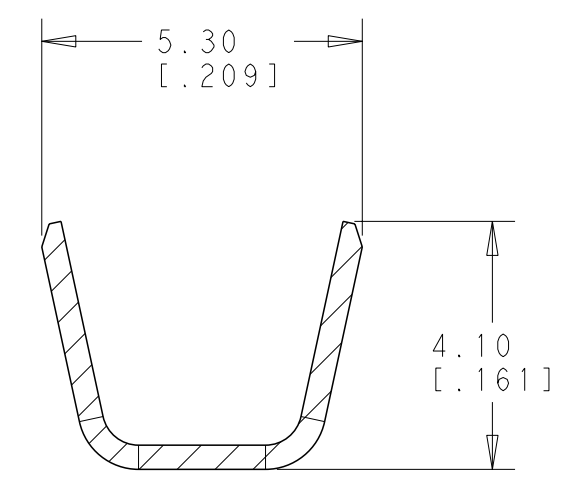


THIS DRAWING IS UNPUBLISHED. RELEASED FOR PUBLICATION 20
 © COPYRIGHT 20 BY - ALL RIGHTS RESERVED.

REVISIONS				
P	LTR	DESCRIPTION	DATE	APVD
	BE	REVISED PER ECR-15-005258	02APR2015	NK DC
	BE1	REVISED PER ECR-17-007358	26MAY2017	RS FV



SECTION A-A
SCALE 8:1



SECTION B-B
SCALE 8:1

- 1 NON DISPONIBILE DALL' AMP ITALIA (NOT AVAILABLE FROM AMP ITALY)
- 2 ADATTO PER AMP-O-MATOR (REVERSE REELED FOR MINI APPLICATOR)
- 3 BOBINA IN CARTONE CON CARTA INTERPOSTA QUANTITA' PER BOBINA: 3000 (CARTON REEL WITH INTERPOSED PAPER STRIP Q.TY PER REEL: 3000)
- 4 CON SPECIALE RIVESTIMENTO IN CARTA (WITH SPECIAL PAPER COVER)
- 5 BOBINA IN CARTONE CON CARTA INTERPOSTA QUANTITA' PER BOBINA: 2500 (CARTON REEL WITH INTERPOSED PAPER STRIP Q.TY PER REEL: 2500)
- 6 OBSOLETE
- 7 BOBINA IN CARTONE QUANTITA' PER BOBINA: 7000 (CARTON REEL Q.TY PER REEL: 7000)
- 8 OBSOLETE PARTS: OBSOLETE CIS STREAMLINING PER D.RENAUD/D.SINISI

OBSOLETE	2 1 7 6	ST. (TIN PLTD)	BR. F. (PH. BR.)	4-280050-7
	2 1 7	- (UNPLTD)	BR. F. (PH. BR.)	4-280050-4
	2 1 7	ST. (TIN PLTD)	OTTONE (BRASS)	4-280050-2
	2 1 7	- (UNPLTD)	OTTONE (BRASS)	4-280050-1
	2 4	- (UNPLTD)	BR. F. (PH. BR.)	2-280050-4
OBSOLETE	2 1 3	NICKELATO (NICKEL PLTD)	ACCIAIO (STEEL)	2-280050-3
SUPERCEDED BY 1-280050-2	2 1 4 6	ST. (TIN PLTD)	OTTONE (BRASS)	2-280050-2
	2 1 4 3	- (UNPLTD)	OTTONE (BRASS)	2-280050-1
	2 1	NICKELATO (NICKEL PLTD)	ACCIAIO (STEEL)	1-280050-3
	2 5	ST. (TIN PLTD)	OTTONE (BRASS)	1-280050-2
	2 1	ST. (TIN PLTD)	BR. F. (PH. BR.)	280050-7
	2 1	- (UNPLTD)	BR. F. (PH. BR.)	280050-4
	2 1	NICKELATO (NICKEL PLTD)	ACCIAIO (STEEL)	280050-3
	2	ST. (TIN PLTD)	OTTONE (BRASS)	280050-2
	2 1	- (UNPLTD)	OTTONE (BRASS)	280050-1
	-	ST. (TIN PLTD)	BR. F. (PH. BR.)	180388-5
	-	ST. (TIN PLTD)	OTTONE (BRASS)	180388-2
	-	- (UNPLTD)	OTTONE (BRASS)	180388-1
NOTE		FINITURA (FINISH)	MATERIALE (MATERIAL)	(NUMERO) P/N

(INS. DIA. RANGE) 2.3-3.3	(WIRE RANGE) 0.5-1.5	DWN RAVLS 26MAY2017
THIS DRAWING IS A CONTROLLED DOCUMENT.		CHK VIRDIA FEDERICO 26MAY2017
DIMENSIONS: mm	TOLERANCES UNLESS OTHERWISE SPECIFIED: 0 PLC ± 1 PLC ±0.3 2 PLC ± 3 PLC ± 4 PLC ± ANGLES ±2°	APVD VIRDIA FEDERICO 26MAY2017
MATERIAL SEE TABLE	FINISH SEE TABLE	PRODUCT SPEC - APPLICATION SPEC -
CUSTOMER DRAWING		WEIGHT -

STE TE Connectivity

NAME: FASTON CONNECTOR .250 sr. FLAG REC. CONTACT

SIZE: A2 CAGE CODE: 00779 DRAWING NO: C-180388

RESTRICTED TO: -

SCALE: 5:1 SHEET: 1 OF 1 REV: BE1

X-ON Electronics

Largest Supplier of Electrical and Electronic Components

Click to view similar products for [Terminals category](#):

Click to view products by [TE Connectivity manufacturer](#):

Other Similar products are found below :

[00-054007-01074-6](#) [00-054007-70206-1](#) [00-054007-70210-8](#) [00-054007-70217-7](#) [00-054007-70228-3](#) [00-054007-70256-6](#) [00-054007-70316-7](#) [00-054007-49560-4](#) [00-054007-70209-2](#) [00-054007-70231-3](#) [00-054007-70241-2](#) [00-054007-70242-9](#) [00-054007-70246-7](#) [00-054007-70263-4](#) [00-054007-70288-7](#) [00-054007-70290-0](#) [00-054007-70300-6](#) [00-054007-70304-4](#) [01-2900-1-04412](#) [00581P0075](#) [600TS-10](#) [605601-1](#) [60598-1-CUT-TAPE](#) [60617-1-C](#) [61314-6-C](#) [61810-3](#) [62149-1](#) [626-0194](#) [63-S](#) [M55155/059I03](#) [M55155/079C01](#) [M55155/099B03](#) [M55155/099H02](#) [M55155/109H01](#) [M55155/12XH05](#) [M55155/29XJ08](#) [M55155/30-6S](#) [M55155/30-9S](#) [M55155/30XI09](#) [M6-14RSX](#) [696683-1](#) [696861-1](#) [696999-1](#) [M86700006](#) [D18-110B-C](#) [D18-110B-M](#) [701-1936](#) [701-1955](#) [701-2003](#) [701-2007](#)