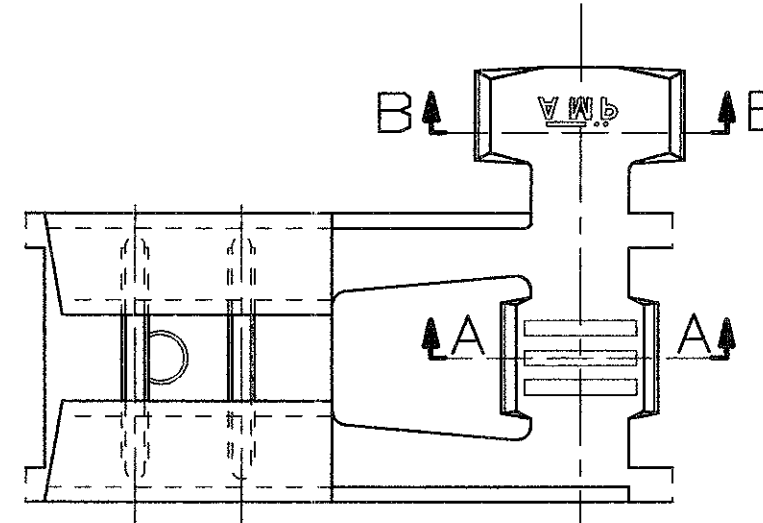
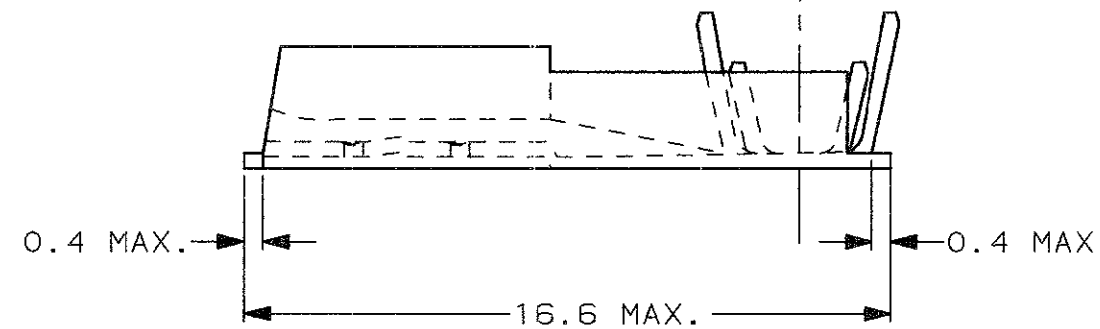
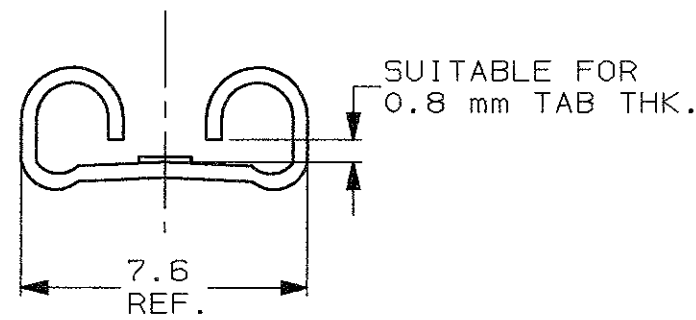


SCALA NON IMPEGNATIVA
(DO NOT SCALE)
DIMENSIONI IN mm
(DIMENSIONS IN mm)

METRIC

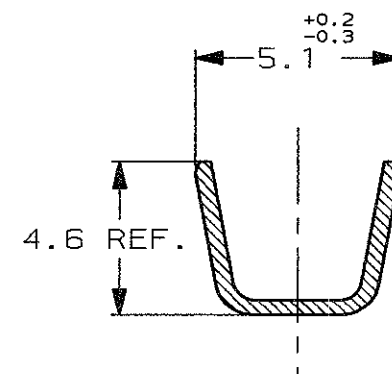
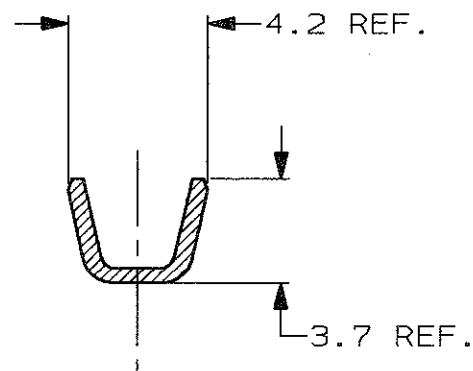


- 1) PER LA VERSIONE IN NASTRO
VEDERE DISEGNO 180397.
(FOR STRIP FORM VERSION SEE DRAWING 180397).
- 2) CONFEZIONAMENTO IN ACCORDO
ALLA SPECIFICA AMP 107-20201.
(PACKAGE ACCORDING TO AMP SPEC. 107-20201).



SECTION A-A

SECTION B-B



| | | | |
|----------------------------------------|--------------------------------|-------------------------|-----|
| STAGNATO (TIN PLATED) | BRONZO FOSF. (PHOS. BRONZE) | 0-180429-5 | K |
| STAGNATO (TIN PLATED) | OTTONE (BRASS) | 0-180429-2 | K |
| NUDO (UNPLATED) | OTTONE (BRASS) | 0-180429-1 | K |
| FINITURA / COLORE (FINISH / COLOUR) | MATERIALE (MATERIAL) | NUMERO (PART NUMBER) | REV |

CUSTOMER DWG. FOR REFERENCE ONLY DISEGNO PER CLIENTE SOLO PER RIFERIMENTO

THIS DRAWING IS UNPUBLISHED RELEASE FOR PUBLICATION 19

| | | | |
|-----------------------------------------------------------------------------------------------|-------------------------------------|----------------------------|------------------|
| TOLLERANZE, SE NON DIVERSAMENTE SPECIFICATO (TOLERANCES, UNLESS OTHERWISE SPECIFIED) | DIAM. ISOLANTE (INS. DIA. RANGE) | RANGO FILO (WIRE RANGE) | SCALA (SCALE) |
| ± 0.3 | 2.5-3.8 | 1.0-2.5 | 5:1 |
| ANGOLI (ANGLES) | TE Connectivity | | |

DIS. 21 JUN 2001 (DR.) H. YAALI DESCRIZIONE (DESCRIPTION) FASTON® Connector, .250" FLAG REC. CONTACT (LOOSE PIECE VERSION)

CONT. 21 JUN 2001 (CHK) C. TARTARI LOC. SIZE NUMERO (DWG NO) I A3 C-180429 REV. FOGLIO (SHEET) K1 1 DI (OF) 1

| | | | |
|------------------|-----------------------------|----------|-------------|
| K1 | REVISED PER ECO-11-005294 | RK | 07APR 11 |
| REV. (REV. LTR.) | REVISIONI (REVISION RECORD) | DIS (DR) | DATA (DATE) |

DISTRIBUZIONE (PRINT DIST.)

X-ON Electronics

Largest Supplier of Electrical and Electronic Components

Click to view similar products for [Terminals](#) category:

Click to view products by [TE Connectivity](#) manufacturer:

Other Similar products are found below :

[00-054007-01074-6](#) [00-054007-70206-1](#) [00-054007-70210-8](#) [00-054007-70217-7](#) [00-054007-70226-9](#) [00-054007-70228-3](#) [00-054007-70248-1](#) [00-054007-70256-6](#) [00-054007-70301-3](#) [00-054007-70316-7](#) [00-054007-49560-4](#) [00-054007-70209-2](#) [00-054007-70225-2](#) [00-054007-70227-6](#) [00-054007-70231-3](#) [00-054007-70241-2](#) [00-054007-70242-9](#) [00-054007-70244-3](#) [00-054007-70246-7](#) [00-054007-70263-4](#) [00-054007-70288-7](#) [00-054007-70290-0](#) [00-054007-70300-6](#) [00-054007-70304-4](#) [01-2065-1-0216](#) [01-2900-1-04412](#) [00581P0075](#) [600TS-10](#) [60205-1](#) [604200-1](#) [605601-1](#) [60598-1-CUT-TAPE](#) [61314-6-C](#) [61810-3](#) [61-S](#) [61-SN](#) [626-0194](#) [62-NBM-A](#) [62-SN](#) [62-SP](#) [63-S](#) [640179-1](#) [M55155/059I03](#) [M55155/079C01](#) [M55155/099H02](#) [M55155/109H01](#) [M55155/109H02](#) [M55155/12XH05](#) [M55155/16XH02](#) [M55155/29-5S](#)