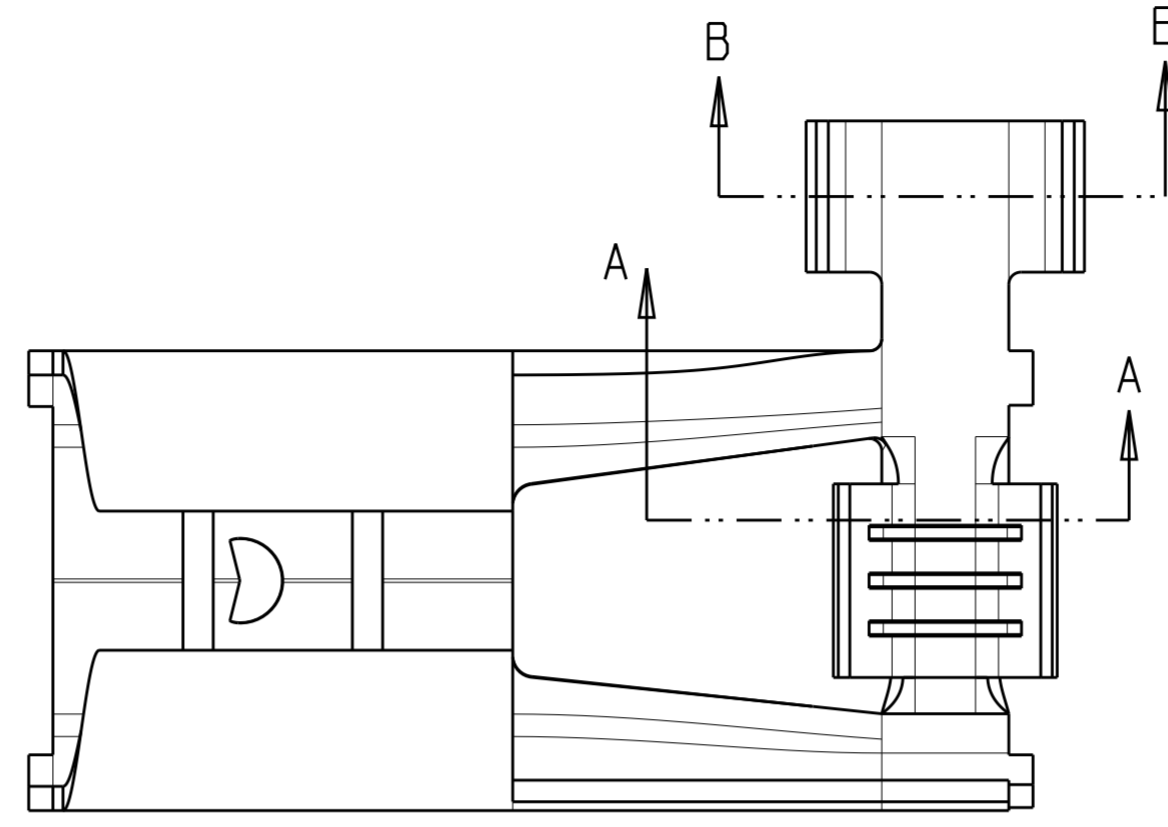
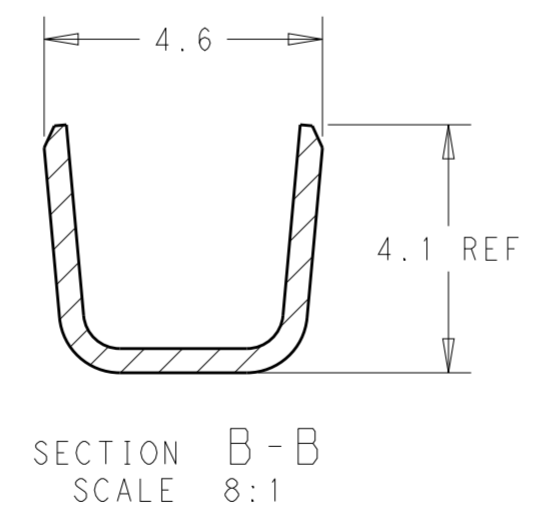
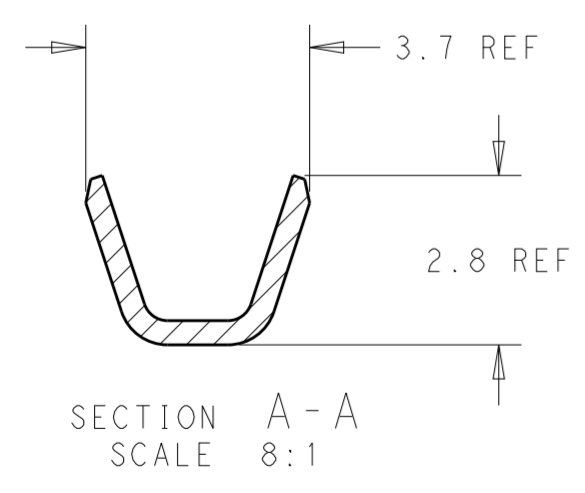
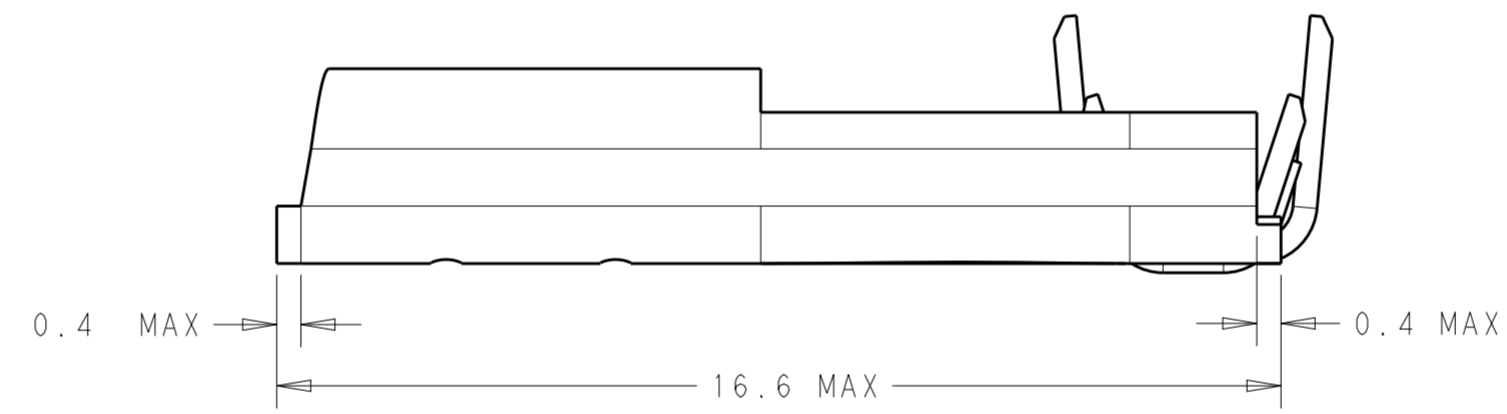
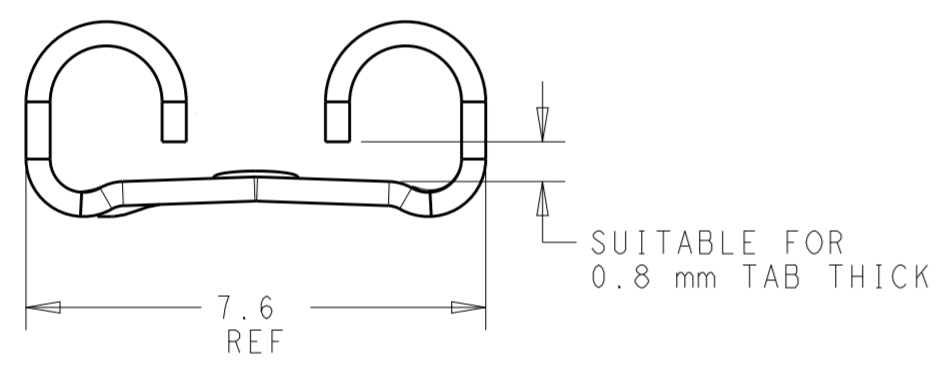


THIS DRAWING IS UNPUBLISHED. RELEASED FOR PUBLICATION  
 © COPYRIGHT copyright.d8te- ALL RIGHTS RESERVED.

REVISIONS				
P	LTR	DESCRIPTION	DATE	APVD
	L2	REVISED PER ECR-17-009666	04JUL2017	BW FV



- 1 FOR STRIP FORM VERSION SEE DRAWING 180388
- 2 PACKAGE ACCORDING TO AMP SPEC. 107-20201



TIN PLATED	BRASS	0-180430-2
UNPLATED	BRASS	0-180430-1
FINISH/COLOR	MATERIAL	TE P/N

THIS DRAWING IS A CONTROLLED DOCUMENT.		DWN RAVI.S 26MAY2017	TE Connectivity NAME FASTON CONNECTOR .250 sr. FLAG REC. CONTACT (LOOSE PIECE VERSION)	
DIMENSIONS: mm		CHK VIRDIA FEDERICO 26MAY2017		
TOLERANCES UNLESS OTHERWISE SPECIFIED:		APVD VIRDIA FEDERICO 26MAY2017		
0 PLC ±0.3 1 PLC ± 2 PLC ± 3 PLC ± 4 PLC ± ANGLES ±2° FINISH -		PRODUCT SPEC -		
INS. DIA. RANGE: 2.0-3.3	MATERIAL -	APPLICATION SPEC -	WEIGHT -	SIZE A200779
WIRE RANGE: 0.5-1.5		CUSTOMER DRAWING	SCALE 5:1	SHEET 1 OF 1
				REV L2

## X-ON Electronics

Largest Supplier of Electrical and Electronic Components

*Click to view similar products for [Terminals](#) category:*

*Click to view products by [TE Connectivity](#) manufacturer:*

Other Similar products are found below :

[00-054007-01074-6](#) [00-054007-70206-1](#) [00-054007-70210-8](#) [00-054007-70217-7](#) [00-054007-70226-9](#) [00-054007-70228-3](#) [00-054007-70248-1](#) [00-054007-70256-6](#) [00-054007-70301-3](#) [00-054007-70316-7](#) [00-054007-49560-4](#) [00-054007-70209-2](#) [00-054007-70225-2](#) [00-054007-70227-6](#) [00-054007-70231-3](#) [00-054007-70241-2](#) [00-054007-70242-9](#) [00-054007-70244-3](#) [00-054007-70246-7](#) [00-054007-70263-4](#) [00-054007-70288-7](#) [00-054007-70290-0](#) [00-054007-70300-6](#) [00-054007-70304-4](#) [01-2065-1-0216](#) [01-2900-1-04412](#) [00581P0075](#) [600TS-10](#) [60205-1](#) [604200-1](#) [605601-1](#) [60598-1-CUT-TAPE](#) [61314-6-C](#) [61810-3](#) [61-S](#) [61-SN](#) [626-0194](#) [62-NBM-A](#) [62-SN](#) [62-SP](#) [63-S](#) [640179-1](#) [M55155/059I03](#) [M55155/079C01](#) [M55155/099H02](#) [M55155/109H01](#) [M55155/109H02](#) [M55155/12XH05](#) [M55155/16XH02](#) [M55155/29-5S](#)