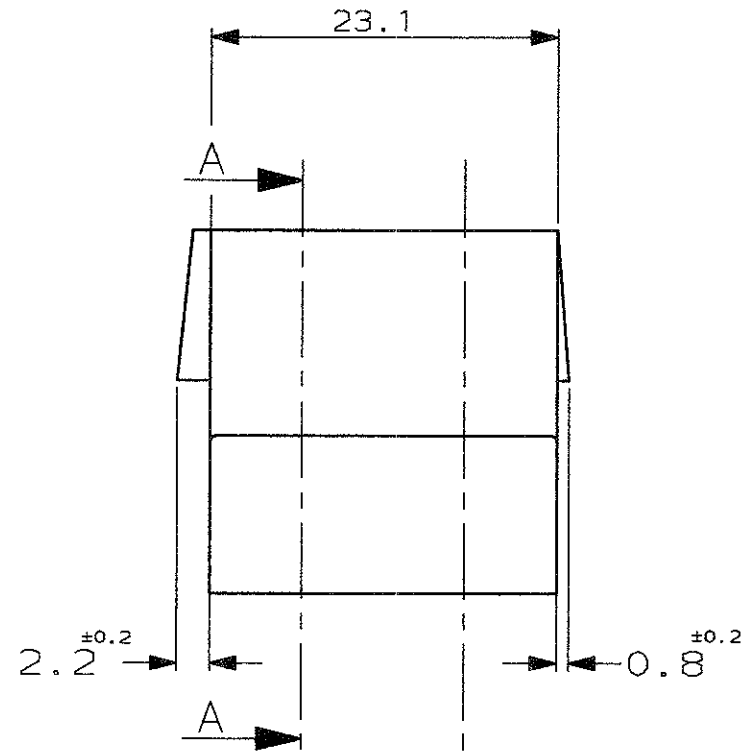
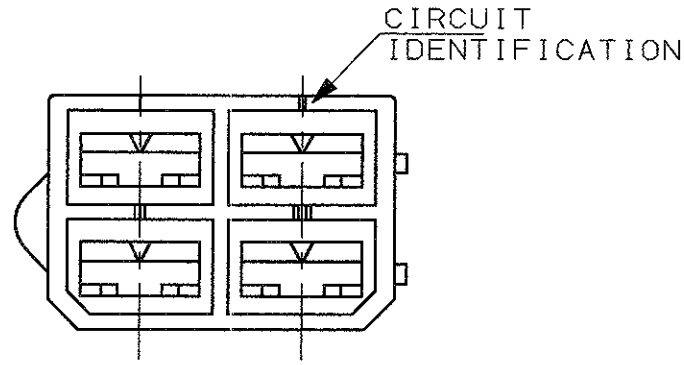


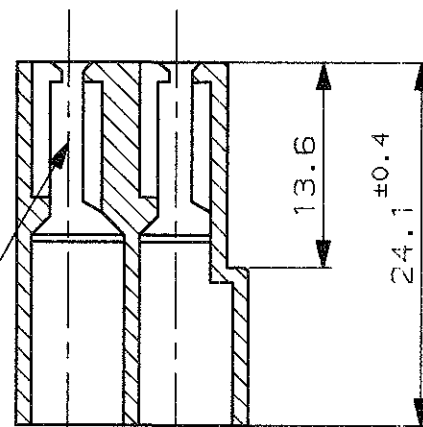
SCALA NON IMPEGNATIVA
(DO NOT SCALE)
DIMENSIONI IN mm
(DIMENSIONS IN mm)

METRIC

PROIEZIONE EUROPEA
(EUROPEAN PROJECTION)

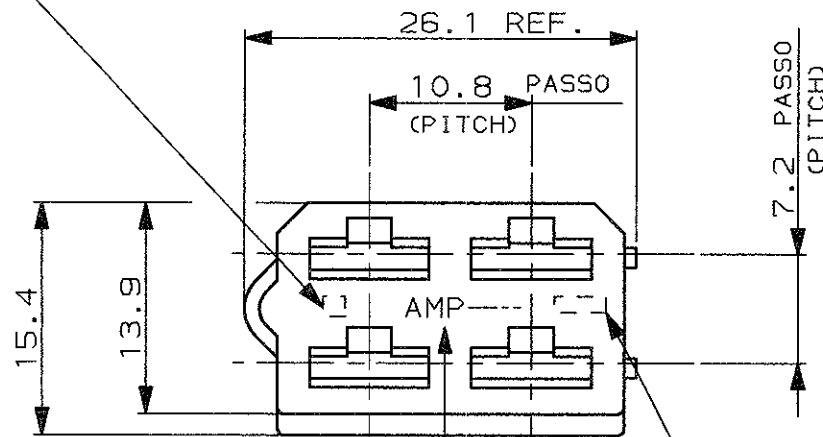


SEZIONE A-A
(SECTION A-A)



TIPICA CAVITA' PER TERMINALE AMP FASTIN-FASTON SR. 6.35mm.
(TYPICAL CAVITY FOR AMP FASTIN-FASTON .250 SR.)

NUMERO DI IMPRONTA STAMPO, FACOLTATIVO
(MOULD CAVITY IDENTIFICATION NO., OPTIONAL)



MARCHIO DI FABBRICA
(AMP TRADE MARK)

CODICE AMP, FACOLTATIVO
(AMP PART NUMBER, OPTIONAL)

- 1 PRODOTTI SOLO PER AMP GIAPPONE.
(RESTRICTED FOR AMP JAPAN).
- 2 NON PRODOTTO DALL'AMP ITALIA.
(NOT PRODUCED BY AMP ITALY).
- 3 OBSOLETE PARTS: OBSOLETE CIS STREAMLINING
PER D.RENAUD/D.SINISI

OBSOLETE	1	NEUTRO (CLEAR)	PA 6.6 (PA 6.6 UNFILLED)	9-180900-0
	2	NERO (BLACK)	PA 6.6 UL 94 V-0 (PA 6.6 F.R. 94 V-0)	5-180900-0
	2	NERO (BLACK)	PA 6.6 (PA 6.6 UNFILLED)	4-180900-0
	2	NERO (BLACK)	PA 6.6 (PA 6.6 UNFILLED)	3-180900-0
OBSOLETE	2	ROSSO (RED)	PP	2-180900-0
	2	NEUTRO (CLEAR)	ABS	1-180900-0
	3	GRIGIO (GRAY)		180900-7
OBSOLETE		NERO (BLACK)	PA 6.6 (PA 6.6 UNFILLED)	180900-5
	2	VERDE (GREEN)		180900-2
		ROSSO (RED)		180900-1
		NEUTRO (CLEAR)		180900-0
	NOTE (NOTES)	COLORE (COLOUR)	MATERIALE (MATERIAL)	NUMERO (PART NUMBER)

CUSTOMER DWG. FOR REFERENCE ONLY
DISEGNO PER CLIENTE SOLO PER RIFERIMENTO

THIS DRAWING IS UNPUBLISHED. RELEASE FOR PUBLICATION 19

TOLLERANZE, SE NON DIVERSAMENTE SPECIFICATO
(TOLERANCES, UNLESS OTHERWISE SPECIFIED)
±0.3

ANGOLI (ANGLES) ± 2°

DIS. A. MORETTI (DR.) 1 FEB '80

DESCRIZIONE (DESCRIPTION)
4 WAY FASTIN-FASTON RECEPTACLE HOUSING .250 Sr.

AZ4	REVISED PER ECO-11-005140	RK	01 APR 11	CONT. R. ROGGERO (CHK) 4 FEB '80	LOC. I	SIZE A3	NUMERO (DWG NO) C-180900	REV. AZ4	FOGLIO (SHEET) 1 DI (OF) 1
REV. (REV. LTR.)	REVISIONI (REVISION RECORD)	DIS. (DR)	DATA (DATE)	APP. (APP.)					

DISTRIBUZIONE (PRINT DIST.)

X-ON Electronics

Largest Supplier of Electrical and Electronic Components

Click to view similar products for [Terminals](#) category:

Click to view products by [TE Connectivity](#) manufacturer:

Other Similar products are found below :

[00-054007-01074-6](#) [00-054007-70206-1](#) [00-054007-70210-8](#) [00-054007-70217-7](#) [00-054007-70226-9](#) [00-054007-70228-3](#) [00-054007-70248-1](#) [00-054007-70256-6](#) [00-054007-70301-3](#) [00-054007-70316-7](#) [00-054007-49560-4](#) [00-054007-70209-2](#) [00-054007-70225-2](#) [00-054007-70227-6](#) [00-054007-70231-3](#) [00-054007-70241-2](#) [00-054007-70242-9](#) [00-054007-70244-3](#) [00-054007-70246-7](#) [00-054007-70263-4](#) [00-054007-70288-7](#) [00-054007-70290-0](#) [00-054007-70300-6](#) [00-054007-70304-4](#) [01-2065-1-0216](#) [01-2900-1-04412](#) [00581P0075](#) [600TS-10](#) [60205-1](#) [604200-1](#) [605601-1](#) [60598-1-CUT-TAPE](#) [61314-6-C](#) [61810-3](#) [61-S](#) [61-SN](#) [626-0194](#) [62-NBM-A](#) [62-SN](#) [62-SP](#) [63-S](#) [640179-1](#) [M55155/059I03](#) [M55155/079C01](#) [M55155/099H02](#) [M55155/109H01](#) [M55155/109H02](#) [M55155/12XH05](#) [M55155/16XH02](#) [M55155/29-5S](#)