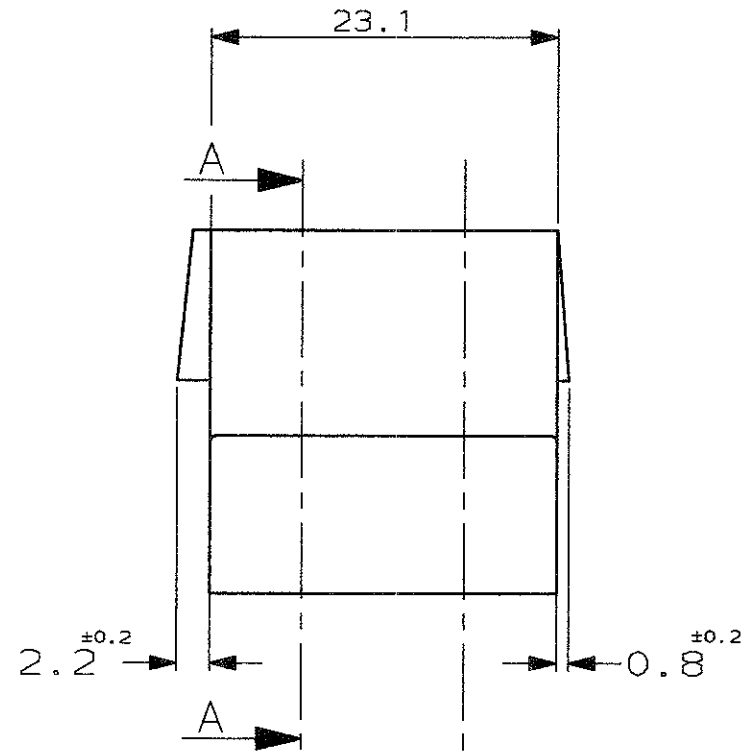
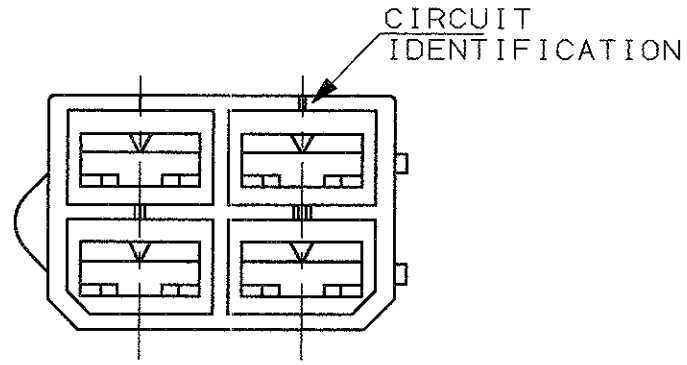


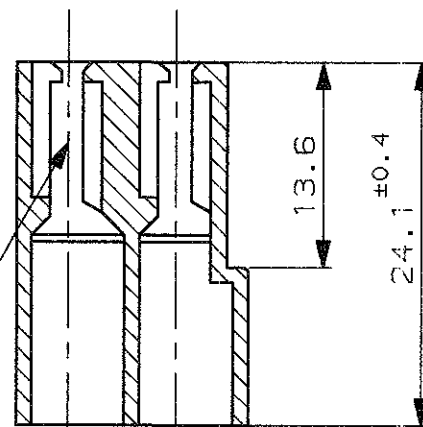
SCALA NON IMPEGNATIVA
(DO NOT SCALE)
DIMENSIONI IN mm
(DIMENSIONS IN mm)

METRIC

PROIEZIONE EUROPEA
(EUROPEAN PROJECTION)

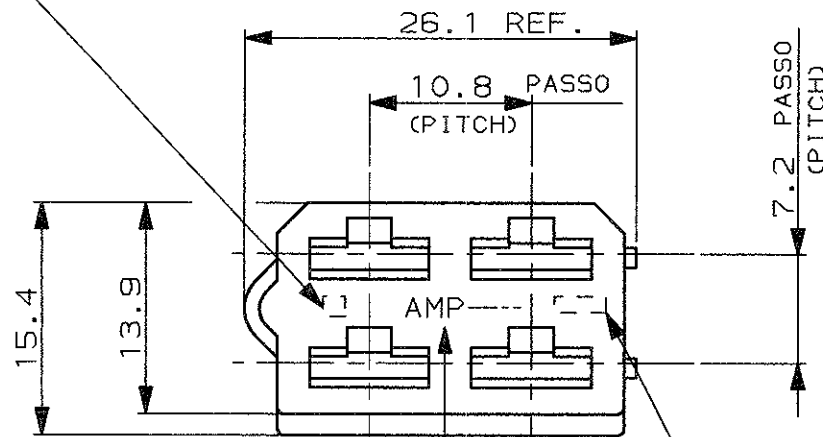


SEZIONE A-A
(SECTION A-A)



TIPICA CAVITA' PER TERMINALE AMP FASTIN-FASTON SR. 6.35mm.
(TYPICAL CAVITY FOR AMP FASTIN-FASTON .250 SR.)

NUMERO DI IMPRONTA STAMPO, FACOLTATIVO
(MOULD CAVITY IDENTIFICATION NO., OPTIONAL)



MARCHIO DI FABBRICA
(AMP TRADE MARK)

CODICE AMP, FACOLTATIVO
(AMP PART NUMBER, OPTIONAL)

- 1 PRODOTTI SOLO PER AMP GIAPPONE.
(RESTRICTED FOR AMP JAPAN).
- 2 NON PRODOTTO DALL'AMP ITALIA.
(NOT PRODUCED BY AMP ITALY).
- 3 OBSOLETE PARTS: OBSOLETE CIS STREAMLINING
PER D.RENAUD/D.SINISI

NOTE (NOTES)	COLORE (COLOUR)	MATERIALE (MATERIAL)	NUMERO (PART NUMBER)
3 OBSOLETE	1 NEUTRO (CLEAR)	PA 6.6 (PA 6.6 UNFILLED)	9-180900-0
	2 NERO (BLACK)	PA 6.6 UL 94 V-0 (PA 6.6 F.R. 94 V-0)	5-180900-0
	2 NERO (BLACK)	PA 6.6 (PA 6.6 UNFILLED)	4-180900-0
	2 NERO (BLACK)	PA 6.6 (PA 6.6 UNFILLED)	3-180900-0
	2 ROSSO (RED)	PP	2-180900-0
	2 NEUTRO (CLEAR)	ABS	1-180900-0
3 OBSOLETE	GRIGIO (GRAY)		180900-7
	NERO (BLACK)		180900-5
	2 VERDE (GREEN)	PA 6.6 (PA 6.6 UNFILLED)	180900-2
OBSOLETE	ROSSO (RED)		180900-1
	NEUTRO (CLEAR)		180900-0

CUSTOMER DWG. FOR REFERENCE ONLY
DISEGNO PER CLIENTE SOLO PER RIFERIMENTO

THIS DRAWING IS UNPUBLISHED. RELEASE FOR PUBLICATION 19

TOLLERANZE; SE NON DIVERSAMENTE SPECIFICATO
(TOLERANCES, UNLESS OTHERWISE SPECIFIED)
±0.3

DIAM. ISOLANTE (INS. DIA. RANGE)
RANGO FILO (WIRE RANGE)
SCALA (SCALE)
2:1

ANGOLI (ANGLES) ± 2°

STE TE Connectivity

DIS. A. MORETTI (DR.) 1 FEB '80
DESCRIZIONE (DESCRIPTION)
4 WAY FASTIN-FASTON RECEPTACLE HOUSING .250 Sr.

AZ4	REVISED PER ECO-11-005140	RK	01 APR 11	CONT. R. ROGGERO (CHK) 4 FEB '80	LOC. I	SIZE A3	NUMERO (DWG NO) C-180900	REV. AZ4	FOGLIO (SHEET) 1 DI (OF) 1
REV. (REV. LTR.)	REVISIONI (REVISION RECORD)	DIS. (DR)	DATA (DATE)	APP. (APP.)					

DISTRIBUZIONE (PRINT DIST.)

X-ON Electronics

Largest Supplier of Electrical and Electronic Components

Click to view similar products for [Terminals](#) category:

Click to view products by [TE Connectivity](#) manufacturer:

Other Similar products are found below :

[00-054007-01074-6](#) [00-054007-70206-1](#) [00-054007-70210-8](#) [00-054007-70217-7](#) [00-054007-70226-9](#) [00-054007-70228-3](#) [00-054007-70248-1](#) [00-054007-70256-6](#) [00-054007-70301-3](#) [00-054007-70316-7](#) [0-0320562-0](#) [00-054007-49560-4](#) [00-054007-70209-2](#) [00-054007-70225-2](#) [00-054007-70227-6](#) [00-054007-70231-3](#) [00-054007-70241-2](#) [00-054007-70242-9](#) [00-054007-70244-3](#) [00-054007-70246-7](#) [00-054007-70263-4](#) [00-054007-70288-7](#) [00-054007-70290-0](#) [00-054007-70300-6](#) [00-054007-70304-4](#) [01-2065-1-0216](#) [01-2900-1-04412](#) [00581P0075](#) [600TS-10](#) [60205-1](#) [604200-1](#) [605601-1](#) [60598-1-CUT-TAPE](#) [61314-6-C](#) [61810-3](#) [61-S](#) [61-SN](#) [626-0194](#) [62-NBM-A](#) [62-SN](#) [62-SP](#) [63-S](#) [640179-1](#) [M55155/059I03](#) [M55155/079C01](#) [M55155/099H02](#) [M55155/109H01](#) [M55155/109H02](#) [M55155/12XH05](#) [M55155/16XH02](#)