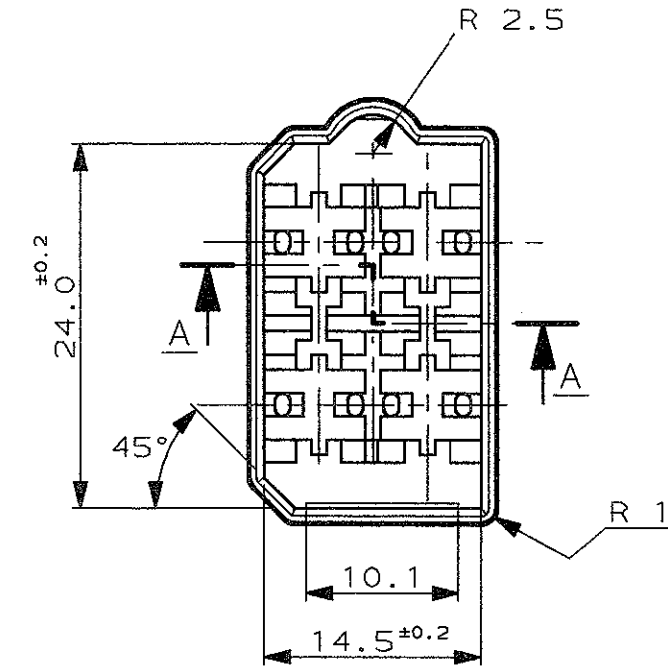
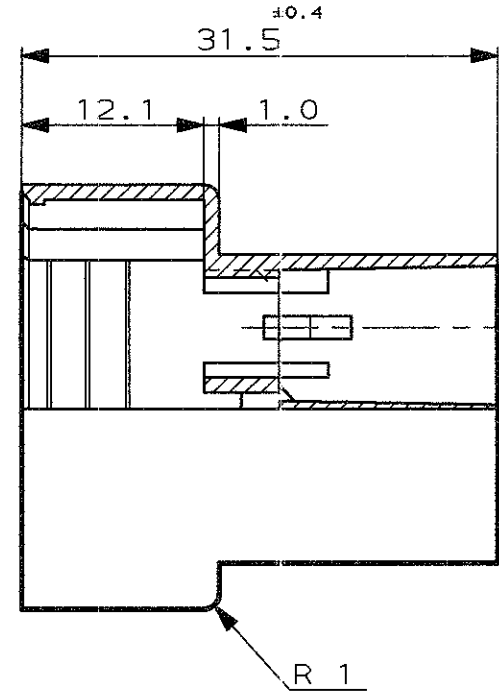
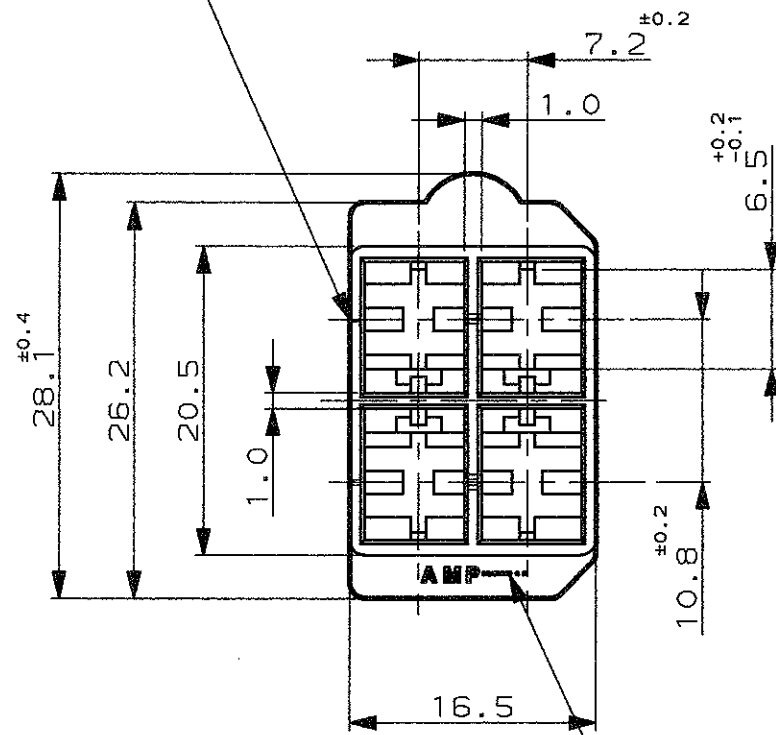


SCALA NON IMPEGNATIVA
(DO NOT SCALE)
DIMENSIONI IN
(DIMENSIONS IN) mm

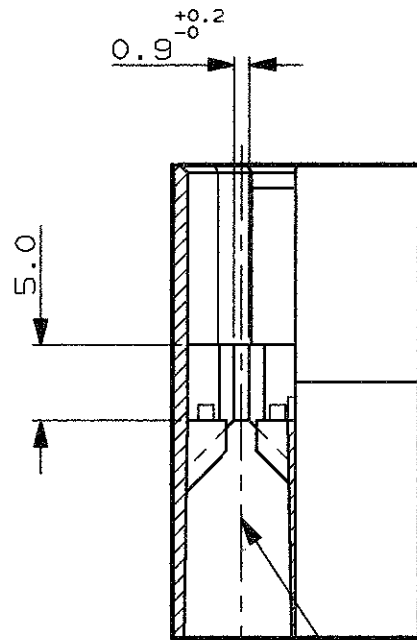
METRIC

PROIEZIONE EUROPEA
(EUROPEAN PROJECTION)

IDENTIFICAZIONE N. DI VIA
(CIRCUIT IDENTIFICATION No.)



SEZIONE A-A
(SECTION A-A)



TIPICA CAVITA' PER TERMINALE AMP
FASTIN-FASTON .250"sr. (ES: P/N 1-280081-2)
(TYPICAL CAVITY FOR AMP TERMINAL
FASTIN-FASTON .250"sr, e.g. P/N 1-280081-2)

- 1) NON PRODOTTO DALL' TE ITALIA
(NON MANUFACTURED BY TE ITALY)
- 2) PRODOTTO SOLO PER TE GIAPPONE
(RESTRICTED FOR TE JAPAN)
- 3) SPECIFICA DI PRODOTTO : 108-20020
(PRODUCT SPEC.: 108-20020)
- 4) SPECIFICA DI APPLICAZIONE PER RIF. : 114-2025
(APPLICATION SPEC. AS REF : 114-2025)
- 5) OBSOLETE PARTS: OBSOLETE CIS STREAMLINING PER D.RENAUD/D.SINISI

NOTE (NOTES)	COLORE (COLOUR)	MATERIALE (MATERIAL)	NUMERO (PART NUMBER)
5 OBSOLETE	2	BIANCO (WHITE)	PA 6.6 (PA 6.6 UNFILLED)
	1	NATURALE (CLEAR)	PA 6.6 (PA 6.6 UNFILLED)
	1	NERO (BLACK)	PA 6.6 (PA 6.6 UNFILLED)
	1	NERO (BLACK)	PA 6.6 (PA 6.6 UNFILLED FLAME RET.)
	1	NERO (BLACK)	ABS
5 OBSOLETE	1	ARANCIONE (ORANGE)	PA 6.6 (PA 6.6 UNFILLED)
	1	NERO (BLACK)	PA 6.6 (PA 6.6 UNFILLED)
5 OBSOLETE	1	GIALLO (YELLOW)	PA 6.6 (PA 6.6 UNFILLED)
	1	BLU (BLUE)	PA 6.6 (PA 6.6 UNFILLED)
	1	ROSSO (RED)	PA 6.6 (PA 6.6 UNFILLED)
	NATURALE (CLEAR)		180901-0

CUSTOMER DWG. FOR REFERENCE ONLY DISEGNO PER CLIENTE SOLO PER RIFERIMENTO

THIS DRAWING IS UNPUBLISHED RELEASE FOR PUBLICATION 19

© COPYRIGHT 19 BY TE INCORPORATED, HARRISBURG, PA. ALL INTERNATIONAL RIGHT RESERVED. TE PRODUCTS MAY BE COVERED BY U.S. AND FOREIGN PATENT AND/OR PATENT PENDING

TOLLERANZE; SE NON DIVERSAMENTE SPECIFICATO
(TOLERANCES, UNLESS OTHERWISE SPECIFIED)

DIAM. ISOLANTE (INS. DIA. RANGE) RANGO FILO (WIRE RANGE) SCALA (SCALE)

± 0.3 - 2:1

ANGOLI (ANGLES) ± 2°

TE TE Connectivity

AW5	ECR-10-022530	KK	11FEB11	DIS. (DR.)	15MAY01	DESCRIZIONE (DESCRIPTION)	BLOCCHETTO A 4 VIE	REV.	FOGLIO (SHEET)
AW4	REV PER ECO-10-000445	KK	JAN10	CONT. (CHK)	-	FASTIN-ON TAB SERIE .250"		AW5	1
AW3	REDRAWN W/O CHANGES PER ET00-0129-01		28-5 2001	APP. (APP.)	15MAY01	LOC. SIZE NUMERO (COMB NO)	I A3		
REV.	REVISIONI (REVISION RECORD)	BTS (DR)	DATA (DATE)				C-180901		

DISTRIBUZIONE (PRINT DIST.)

X-ON Electronics

Largest Supplier of Electrical and Electronic Components

Click to view similar products for [Terminals](#) category:

Click to view products by [TE Connectivity](#) manufacturer:

Other Similar products are found below :

[00-054007-01074-6](#) [00-054007-70206-1](#) [00-054007-70210-8](#) [00-054007-70217-7](#) [00-054007-70226-9](#) [00-054007-70228-3](#) [00-054007-70248-1](#) [00-054007-70256-6](#) [00-054007-70301-3](#) [00-054007-70316-7](#) [0-0320562-0](#) [00-054007-49560-4](#) [00-054007-70209-2](#) [00-054007-70225-2](#) [00-054007-70227-6](#) [00-054007-70231-3](#) [00-054007-70241-2](#) [00-054007-70242-9](#) [00-054007-70244-3](#) [00-054007-70246-7](#) [00-054007-70263-4](#) [00-054007-70288-7](#) [00-054007-70290-0](#) [00-054007-70300-6](#) [00-054007-70304-4](#) [01-2065-1-0216](#) [01-2900-1-04412](#) [00581P0075](#) [600TS-10](#) [60205-1](#) [604200-1](#) [605601-1](#) [60598-1-CUT-TAPE](#) [61314-6-C](#) [61810-3](#) [61-S](#) [61-SN](#) [626-0194](#) [62-NBM-A](#) [62-SN](#) [62-SP](#) [63-S](#) [640179-1](#) [M55155/059I03](#) [M55155/079C01](#) [M55155/099H02](#) [M55155/109H01](#) [M55155/109H02](#) [M55155/12XH05](#) [M55155/16XH02](#)