

THIS DRAWING IS UNPUBLISHED.  
 QUESTO DISEGNO NON DEVE ESSERE DIVULGATO O RIPRODOTTO

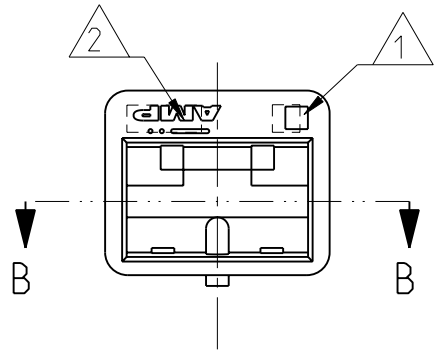
RELEASED FOR PUBLICATION  
 E' CONSENTITA LA DIVULGAZIONE

2009

ALL RIGHTS RESERVED.  
 TUTTI I DIRITTI SONO RISERVATI

© COPYRIGHT 2009

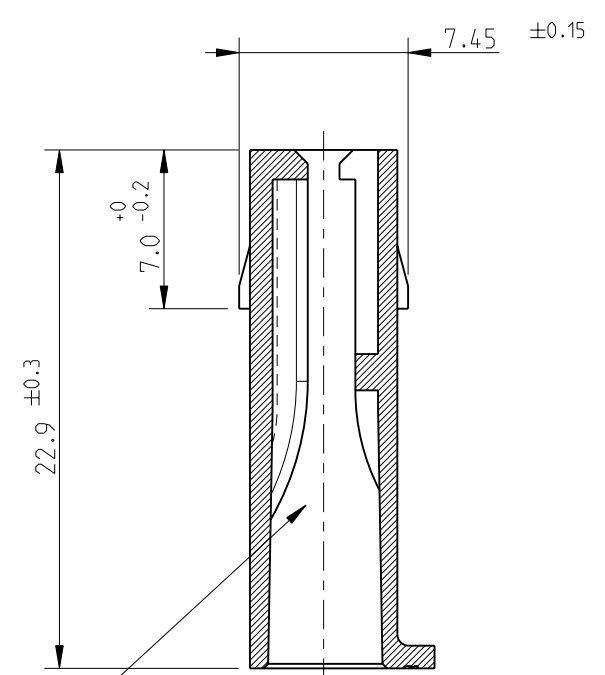
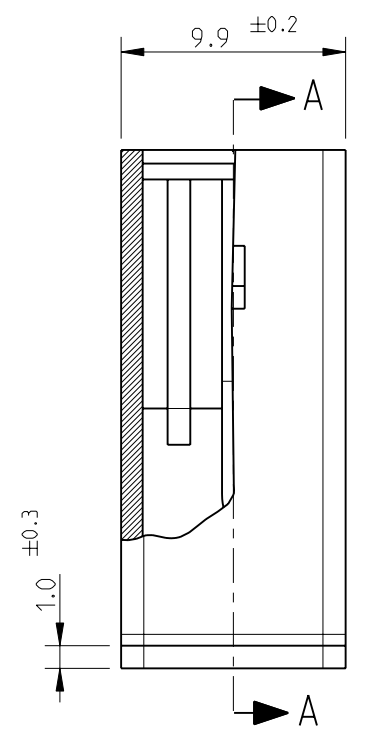
LOC	DIST	REVISIONS					
		P	LTR	DESCRIPTION	DATE	DWN	APVD
1	-		AB2	ADDED P/N, ET00-0211-04	19/10/04	H.Y.	G.T.
			AB3	REVISED PER ECO-09-026346	26NOV09	KK	AEG
			AB4	ECR-10-022530	05FEB11	KK	HMR



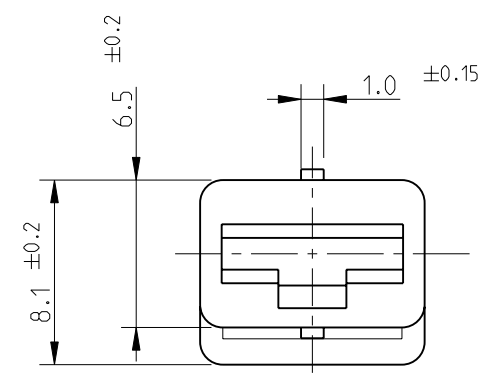
SEZ. PARZIALE B-B  
 PARTIAL SECT. B-B

SEZ. A-A  
 SECT. A-A

- 1 NUMERO DI IMPRONTA STAMPO  
(MOULD CAVITY IDENTIFICATION NO.)
- 2 MARCHIO DI FABBRICA AMP  
(AMP TRADE MARK)
- 3 VERSIONE IN ACCORDO ALLA IEC 60695-2-11, IEC 60335-1 (GLOW WIRE)  
(VERSION ACCORDING TO IEC 60695-2-11, IEC 60335-1, GLOW WIRE)
- 4 OBSOLETE PARTS: OBSOLETE CIS STREAMLINING PER D.RENAUD/D.SINISI



TIPICA CAVITA' PER TERMINALE AMP  
 FASTIN-FASTON SR.6.35mm.  
 (TYPICAL CAVITY FOR AMP  
 FASTIN-FASTON .250 SR.)



NOTE	COLORE (COLOUR)	MATERIALE (MATERIAL)	NUMERO (PART NUMBER)
	3 NATURALE (NATURAL)	PA6 UNFILLED	1-180905-0
4 OBSOLETE	ARANCIO (ORANGE)	PA 6.6 (PA 6.6 UNFILLED)	<del>180905-9</del>
	VIOLETTO (VIOLET)		<del>180905-8</del>
	GRIGIO (GRAY)		180905-7
	MARRONE (BROWN)		180905-6
OBSOLETE	NERO (BLACK)		<del>180905-5</del>
	BLU (BLUE)		180905-3
	VERDE (GREEN)		180905-2
	ROSSO (RED)		180905-1
	NATURALE (NATURAL)		180905-0

THIS DRAWING IS A CONTROLLED DOCUMENT.

DWN F.BORIN 22JUN98  
 CHK C.TARTARI 22JUN98  
 APVD -

DIMENSIONS: mm

TOLERANCES UNLESS OTHERWISE SPECIFIED:

0 PLC	±
1 PLC	±
2 PLC	±
3 PLC	±
4 PLC	±
ANGLES	±2°
FINISH	-

MATERIAL SEE TABLE

PRODUCT SPEC 108-20020  
 APPLICATION SPEC -

WEIGHT -

CUSTOMER DRAWING

TE Connectivity

FASTIN-FASTON™ CONNECTOR  
 .250 SRS. FEMALE HOUSING, 1 POS.

SIZE A3 CAGE CODE 00779 DRAWING NO. C-180905 RESTRICTED TO -

DISEGNO PER CLIENTE SOLO PER RIFERIMENTO SCALE 3:1 SHEET 1 OF 1 REX AB4

## X-ON Electronics

Largest Supplier of Electrical and Electronic Components

*Click to view similar products for [Terminals](#) category:*

*Click to view products by [TE Connectivity](#) manufacturer:*

Other Similar products are found below :

[00-054007-01074-6](#) [00-054007-70206-1](#) [00-054007-70210-8](#) [00-054007-70217-7](#) [00-054007-70226-9](#) [00-054007-70228-3](#) [00-054007-70248-1](#) [00-054007-70256-6](#) [00-054007-70301-3](#) [00-054007-70316-7](#) [0-0320562-0](#) [00-054007-49560-4](#) [00-054007-70209-2](#) [00-054007-70225-2](#) [00-054007-70227-6](#) [00-054007-70231-3](#) [00-054007-70241-2](#) [00-054007-70242-9](#) [00-054007-70244-3](#) [00-054007-70246-7](#) [00-054007-70263-4](#) [00-054007-70288-7](#) [00-054007-70290-0](#) [00-054007-70300-6](#) [00-054007-70304-4](#) [01-2065-1-0216](#) [01-2900-1-04412](#) [00581P0075](#) [600TS-10](#) [60205-1](#) [604200-1](#) [605601-1](#) [60598-1-CUT-TAPE](#) [61314-6-C](#) [61810-3](#) [61-S](#) [61-SN](#) [626-0194](#) [62-NBM-A](#) [62-SN](#) [62-SP](#) [63-S](#) [640179-1](#) [M55155/059I03](#) [M55155/079C01](#) [M55155/099H02](#) [M55155/109H01](#) [M55155/109H02](#) [M55155/12XH05](#) [M55155/16XH02](#)