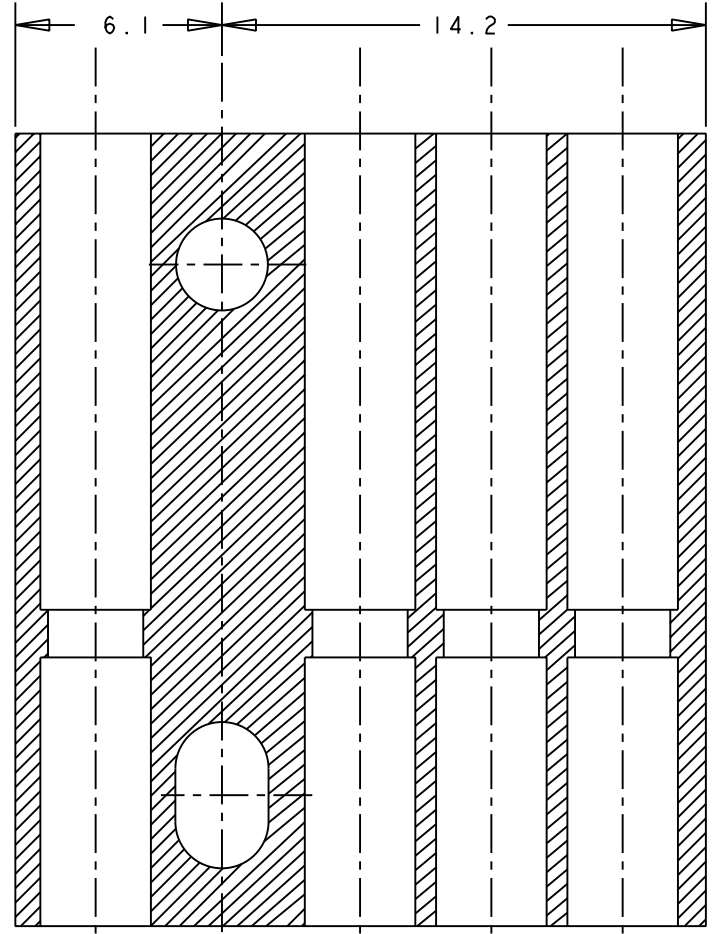


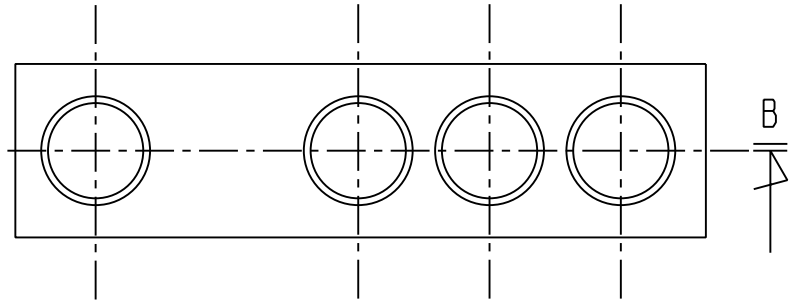
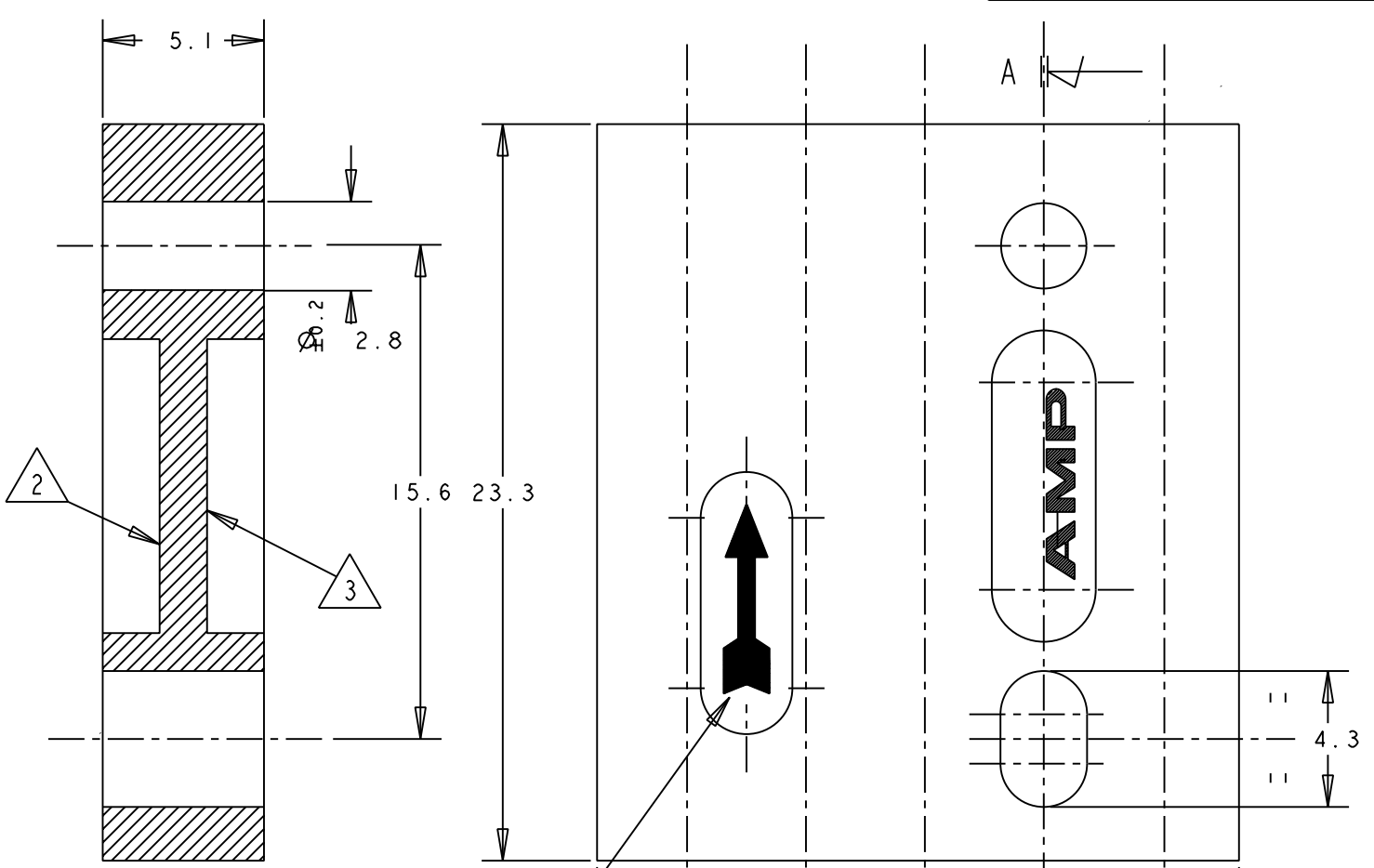
THIS DRAWING IS UNPUBLISHED. RELEASED FOR PUBLICATION
 © COPYRIGHT ALL RIGHTS RESERVED.

LOC	DIST	REVISIONS		
P	LTR	DESCRIPTION	DATE	APVD

SECT. B-B



SECT A-A



REV.	REVISIONI (REVISION RECORD)	DIS. DATA (DR)	(DATE)
01	ECR-10-022530	KK	14 JUN 11
0	REDRAWN WITHOUT CHANGE	C.C.	2008
H	ADDED DASH 2	C.C.	19-10-1993
G	REV. PER ECN 1270	R.C.	DEC. '72
F	REV. PER ECN 1033	R.R.	DEC. '70
E	CHANGED YELLOW & BLACK MATERIAL	R.R.	JAN. '66
D	WAS 1A-5-5006	C.C.	SEP. '65
C	ADDED PART NUMB.	R.P.	SEP. '65
B	CHANGED COLOR AND MATERIAL CODE	R.R.	SEP. '65
A	REVISED-REDRAWN	R.P.	FEB. '65

NOTES:

- 1 AN HALOWED ARROW MOULDED ON SHOWED LOCATION, INDICATES CONTACT INSERTION DIRECTION DURING CUSTOMER ASSEMBLY OPERATION
- 2 MANUF. CODE, CHARACTERS RAISED ON SHOWED LOCATION
- 3 PART NUMBER, CHARACTER RAISED ON SHOWED LOCATION
- 4 PRODUCT MANUFACTURED BY GERMANY
- 5 PRODUCTS MANUFACTURED BY TALY

OBSOLETE

FINITURA / COLORE	MATERIALE	NUMERO
4 BLACK	POLYC. 30% GLASS FILLED	180934-2
5 GREEN	POLYC. 20% GLASS FILLED	180934-1
BLACK	POLYCARBONATE NATURAL	180934-5

THIS DRAWING IS A CONTROLLED DOCUMENT.

DWN 06-09-1993 C. CORDOLA
 CHK 06-09-1993 C. MARTINS
 APVD

TE Connectivity

NAME 4 POS. MDM CONNECTOR FOR PIN CTC. TYPE II & III+ SIZE I6-LONG.

PRODUCT SPEC APPLICATION SPEC WEIGHT

SIZE A3 CAGE CODE C-180934 DRAWING NO RESTRICTED TO

CUSTOMER DRAWING SCALE NO SHEET 1 OF 1 REV 01

X-ON Electronics

Largest Supplier of Electrical and Electronic Components

Click to view similar products for [Rack & Panel Connectors](#) category:

Click to view products by [TE Connectivity](#) manufacturer:

Other Similar products are found below :

[00170420102](#) [00171420202](#) [00171440002](#) [008026165000265](#) [00-8219-072-000-112P44](#) [008219072000112P5](#) [008219072000112P61](#) [00-8223-096-580-102](#) [02-014-013-5200-000](#) [00-8129-015-610-108](#) [613467-000](#) [CTJ112E01E-513](#) [CTJ116E03A-513](#) [M81714/63-22S L/C](#) [M81714/65-12-1](#) [66020-2](#) [CW8958-000](#) [699886-000](#) [D250-50632](#) [70.400.3240.0](#) [70.955.2453.3](#) [733753-000](#) [F22831-000](#) [780-522-DPX34RG8-02](#) [MMA25-0051R1](#) [MMA25-0341D1](#) [8660-501](#) [87.060.0053.0](#) [900709N001](#) [QRP4-12P-C\(01\)](#) [QR/P6-6S-C\(01\)](#) [AC-600003-004](#) [1218600-1](#) [D-659-0061](#) [DMC-MD 24 C-T](#) [1-445717-6](#) [1484398-2](#) [1484399-2](#) [1484469-2](#) [MR-34MG](#) [1484225-1](#) [1484398-1](#) [1484510-4](#) [1604997-2](#) [1663130-1](#) [1663767-7](#) [1663767-8](#) [MTC100-BF1-P31CS015](#) [MTC100-KT2-0083](#) [MTC100-KT2-0123-003](#)